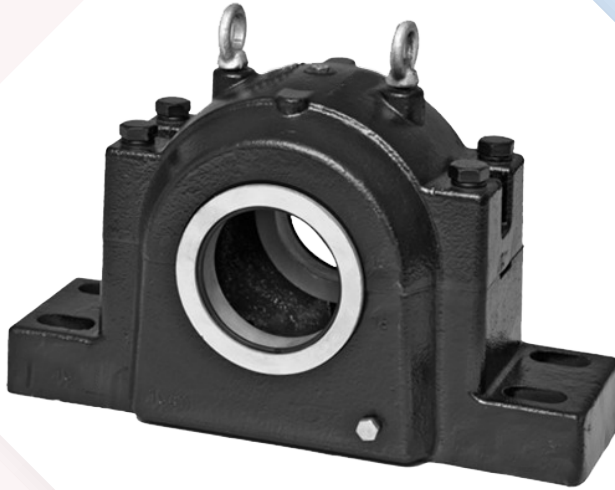
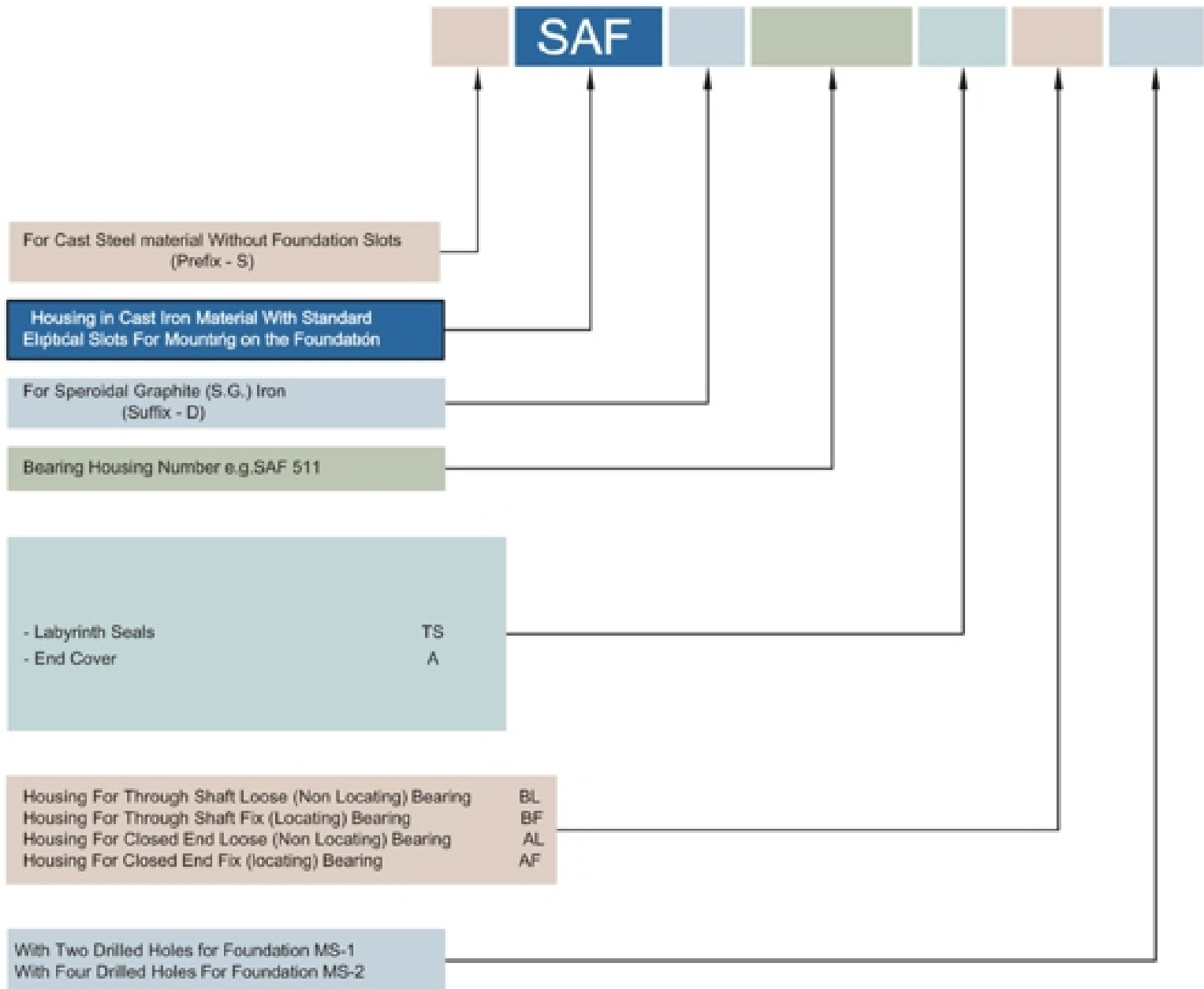




**HOWRAH NEWO TECHNOLOGY**



**SAF SERIES**



### SAF 511 TS BF



- SAF Series, Cast Iron Bearing Housing
- Suitable for 1211, 2211, 22211 Bearing
- Labyrinth Seal on Both Sides
- Housing With Locating Ring



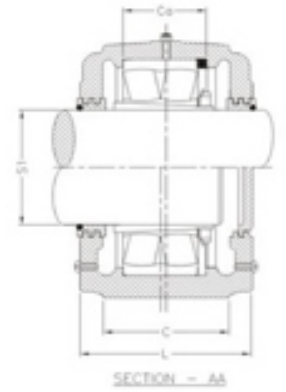
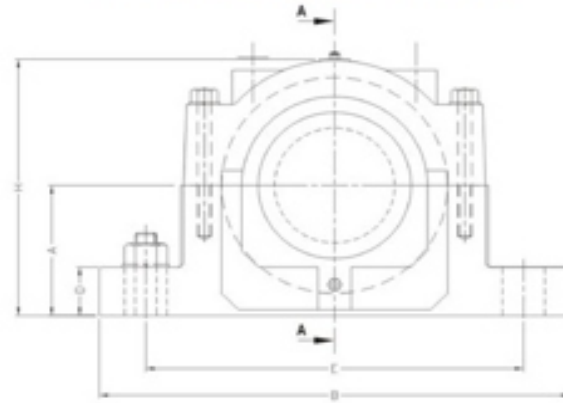
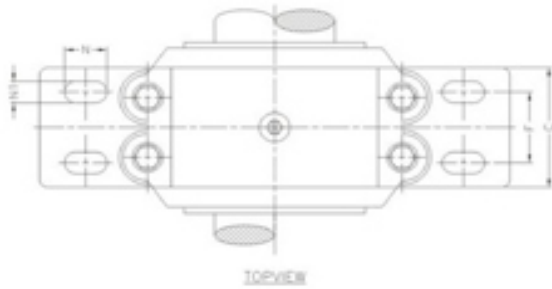
SAF type bearing housings are horizontally split type in construction and are available in Cast Iron, Cast Steel or S.G. Iron material as per order. They are suitable to withstand heavier and shock loads due to its robust construction. For efficient sealing and preventing foreign particles to enter in to the bearing housings, triple or double seal type labyrinth rings are provided.

For mounting the plummer blocks on the foundation, two or four elongated bolt holes are provided. For four bolt holes, plummer block designation is prefixed with "F" e.g. FSAF 520 , SAF 200 series are suitable for bearings of series 1200, 2200, 22200 CC and SAF 300 Series are suitable for 1300, 2300, 22300 CC bearings with cylindrical bore SAF 500 series are suitable for 1200 K, 2200 K, 22200 CCK bearings with tapered bore with adapter sleeves. SAF 600 series are suitable for 1300 K, 2300 K and 22300 CCK series bearings.



Masta Brand SAF Series Pillow block for adapter mounting

Plummer Block SAF-524 and above are supplied with Eye bolt on cap.

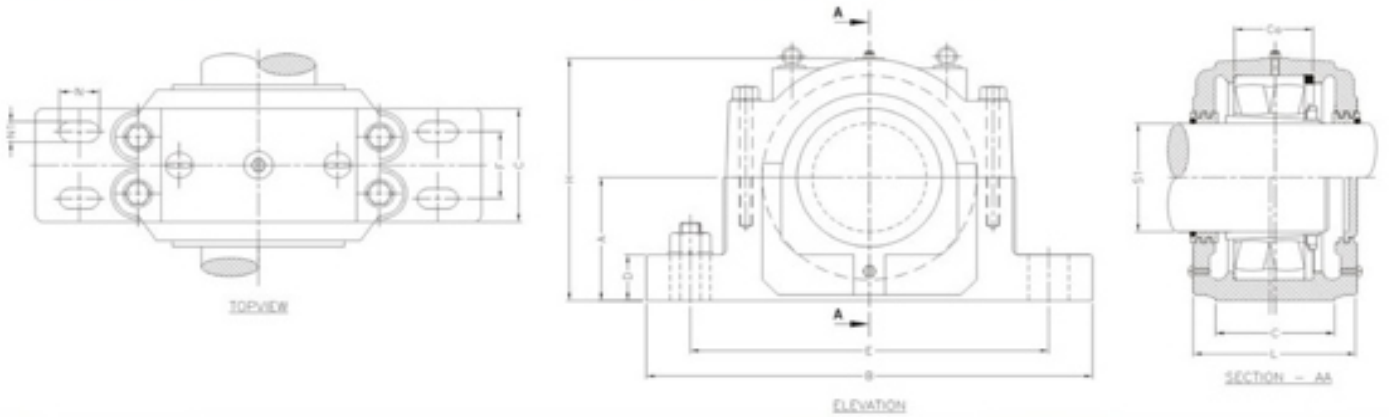


Bearing Housing No.	Shaft dia S1		DIMENSION IN MM										Foundation Bolts (Nos.) mm inch		Ca	Approx Weight kg	Bearing No.	Stabilizing Ring Size Nos.	
	For inch size Brg.	For mm size Brg.	B	E	F	C	D	A	H	L	N	N1	mm	inch				Size	Nos.
SAF 505	19.05	20	165	130	-	45	17.5	38.1	75	73	23	14	12	1/2(2)	28	2.5	1205 K	6.5/52	2
																	2205 K	10/52	1
SAF 506	23.81	25	190	145	-	51	17.5	44.4	86	83	23	14	12	1/2(2)	30	3	1206K	7/62	2
																	2206K	10/62	1
SAF 507	30.16	30	190	148	-	51	20.6	50.8	97	83	23	14	12	1/2(2)	33	3.7	1207K	8/72	2
																	2207K	10/72	1
SAF 509	36.51	35	210	170	-	60	20.6	57.2	111	92	23	14	12	1/2(2)	33	4.3	1209K	7/85	2
																	2209K	10/85	1
SAF 510	42.86	40	210	170	-	60	23.8	63.5	121	92	23	14	12	1/2(2)	33	5.2	1210K	6.5/90	2
																	2210K	10/90	1
SAF 511	49.21	50	245	195	-	70	23.8	69.8	133	99	23	18	16	5/8(2)	35	6.5	1211K	7/100	2
																	2211K	10/100	1
SAF 512	52.39	55	270	210	-	70	28.6	76.2	148	118	23	18	16	5/8(2)	38	8.7	1212K	8/110	2
																	2212K	10/110	1
SAF 513	55.56	60	280	225	-	80	25.4	76.2	151	114	28	18	16	5/8(2)	41	10	1213K	9/120	2
																	2213K	10/120	1
SAF 515	61.91	65	286	230	-	80	28.6	82.6	162	121	28	18	16	5/8(2)	41	11.5	1215K	8/130	2
																	2215K	10/130	1
																	22215K	10/130	1



Masta Brand SAF Series Pillow block for adapter mounting

Plummer Block SAF-524 and above are supplied with Eye bolt on cap.



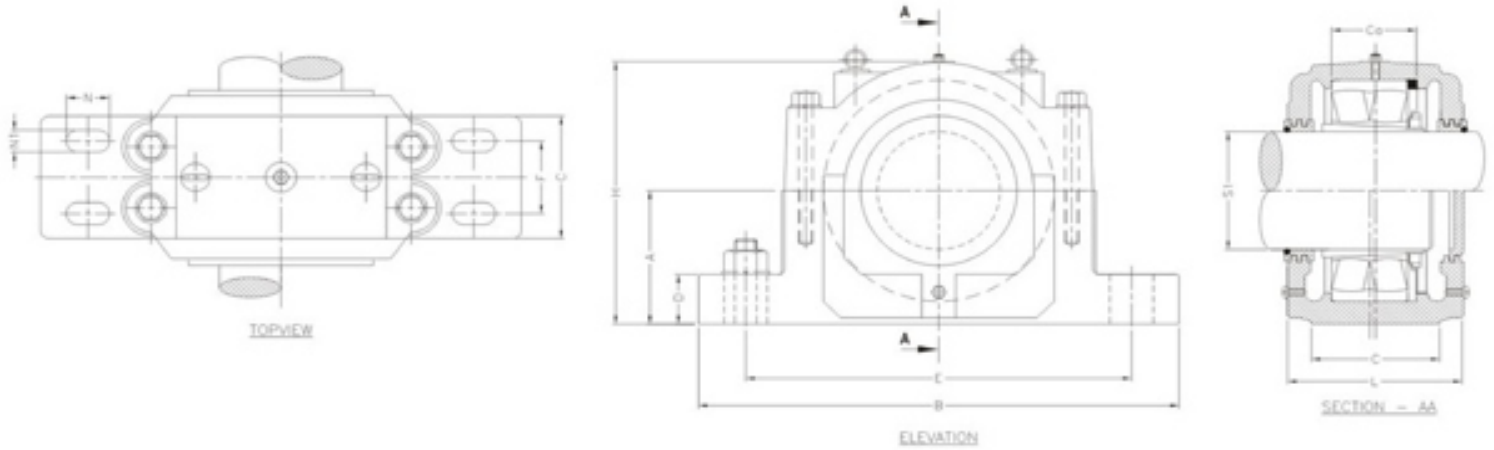
Bearing Housing No.	Shaft dia S1		DIMENSION IN MM										Foundation Bolts(Nos.) mm inch		Ca	Approx Weight kg	Bearing No.	Stabilizing Ring Size Nos.	
	For inch size Brg.	For mm size Brg.	B	E	F	C	D	A	H	L	N	N1	mm	inch				Size	Nos.
SAF 516	68.26	70	330	260	54	90	30.2	88.9	175	124	35	22	20	3/4(2)	43	15.0	1216K	8.5/140	2
													16	5/8(4)			2216K	10/140	1
																	22216CCK	10/140	1
SAF 517	74.61	75	330	265	54	90	31.8	95.2	185	127	35	22	20	3/4(2)	46	16.5	1217K	9/150	2
													16	5/8(4)			2217K,22217CCK	10/150	1
SAF 518	80.96	80	350	280	54	99	38.1	101.6	197	146	32	22	20	3/4(2)	50	20.5	1218K	10/160	2
													16	5/8(4)			2218K,22218CCK	10/160	1
SAF 519	83.41	85	362	295	54	99	44.4	108.0	210	150	32	22	20	3/4(2)	53	26	1219K	10.5/170	2
													16	5/8(4)			2219K,22219CCK	10/170	1
SAF 520	87.31	90	388	315	60	111	44.4	114.3	222	156	42	26	22	7/8(2)	56	34.0	1220K	11/180	2
													20	3/4(4)			22220CCK	10/180	1
SAF 522	100.01	100	419	345	70	121	50.8	125.4	245	165	42	22	20	3/4(4)	63	44.5	1222K	12.5/200	2
																	22222CCK	10/200	1
SAF 524	106.36	110	419	352	70	121	54.0	133.4	261	188	42	22	20	3/4(4)	68	55	22224CCK	10/215	1
SAF 526	112.71	115	467	390	82.6	130	60.3	152.4	294	200	40	26	22	7/8(4)	74	73	22226CCK	10/230	1
SAF 528	125.41	125	511	421	85.7	150	60.3	152.4	300	195	40	28	24	1(4)	78	80	22228CCK	10/250	1





Masta Brand SAF Series Pillow block for adapter mounting

Plummer Block SAF 524 and above are supplied with Eye bolt on cap.

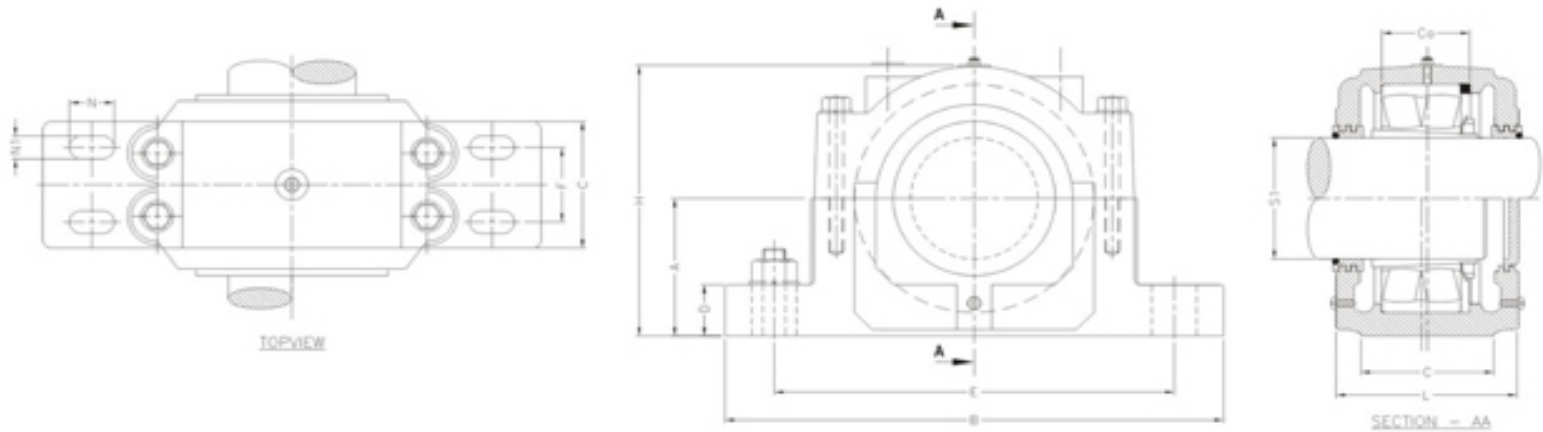


Bearing Housing No.	Shaft dia S1		DIMENSION IN MM										Foundation Bolts(Nos.)		Ca	Approx Weight kg	Bearing No.	Stabilizing Ring	
	inch	mm	B	E	F	C	D	A	H	L	N	N1	inch	mm				inch	mm
SAF 530	131.76	135	540	450	95.2	160	63.5	160.3	318	213	42	28	24	1 (4)	83	101.0	22230CCK	10/270	1
SAF 532	138.11	140	560	465	95.2	160	66.7	169.9	338	222	48	28	24	1(4)	90	111	22232CCK	10/290	1
SAF 534	150.81	150	630	520	108.0	172	69.8	179.4	360	245	54	28	24	1 (4)	96	141	22234CCK	10/310	1
SAF 536	163.51	160	680	565	117.5	181	76.2	190.5	378	254	60	28	24	1 (4)	96	156	22236CCK	10/320	1
SAF 538	176.21	175	712	585	114.3	190	79.4	200	400	273	65	35	30	1.1/4 (4)	102	181	22238CCK	10/340	1
SAF 540	182.56	180	750	605	127.0	203	85.7	209.5	419	286	65	35	30	1.1/4 (4)	108	222	22240CCK	10/360	1
SAF 544	201.61	200	832	670	133.4	222	95.2	241.3	475	305	80	42	36	1.3/8 (4)	118	307	22244CCK	10/400	1



Masta Brand SAF Series Pillow block for adapter mounting

Plummer Block SAF 620 and above are supplied with Eye bolt on cap.

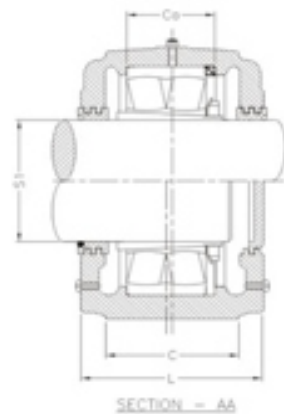
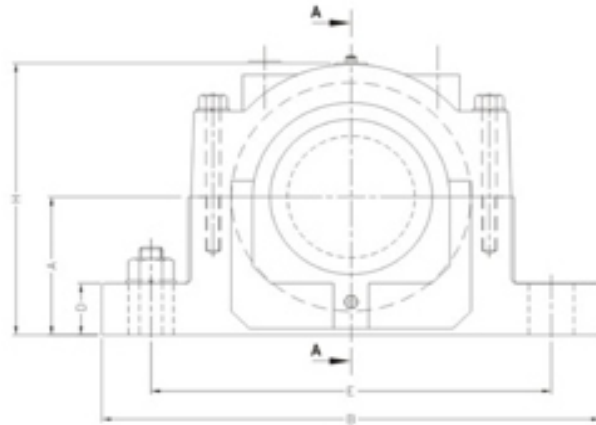
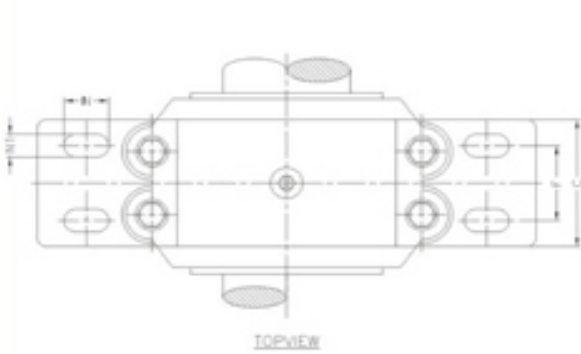


Bearing Housing No.	Shaft dia S1	DIMENSION IN MM										Foundation Bolts(Nos.) mm inch		Ca	Approx Weight kg	Bearing No.	Stabilizing Ring	
		B	E	F	C	D	A	H	L	N	N1	mm	inch					
SAF 605	19.05	190	145	—	51	17.5	44.4	86	93	23	15	12	1/2(2)	34	3.2	1305K 2305K	8.5/62 10/62	2 1
SAF 606	23.81	190	148	—	51	20.6	50.8	97	93	23	15	12	1/2(2)	37	3.8	1306K 2306K	9/72 10/72	2 1
SAF 608	30.16	210	170	—	60	25.4	63.5	122	102	23	15	12	1/2(2)	43	5.5	1308K 22308CCK	10/90 10/90	2 1
SAF 609	36.51	245	195	—	70	25.4	69.8	135	108	23	18	16	5/8(2)	46	8.0	1309K 22309CCK	10.5/100 10/100	2 1
SAF 610	42.86	270	210	—	70	28.6	76.2	148	118	32	18	16	5/8(2)	50	10.5	1310K 22310CCK	11.5/110 10/110	2 1
SAF 611	49.21	280	225	—	80	30.2	82.6	157	124	32	18	16	5/8(2) 12 1/2(4)	53	12.5	1311K 22311CCK	12/120 10/120	2 1
SAF 612	52.39	286	230	—	80	30.2	82.6	162	133	32	18	16	5/8(2) 12 1/2(4)	56	15.6	1312K 22312CCK	12.5/130 10/130	2 1
SAF 613	55.56	330	260	—	90	31.8	88.9	176	137	37	22	20	3/4(2) 16 5/8(4)	58	18	1313K 22313CCK	12.5/140 10/140	2 1
SAF 614	60.00	330	265	—	90	31.8	95.2	187	137	37	22	20	3/4(2) 16 5/8(4)	61	22.1	1314K 22314CCK	13/150 10/150	2 1
SAF 615	61.91	350	280	—	99	41.3	102	197	159	37	22	20	3/4(2) 16 5/8(4)	65	25.5	1315K 22315CCK	14/160 10/160	2 1



Masta Brand SAF Series Pillow block for adapter mounting

Plummer Block SAF 620 and above are supplied with Eye bolt on cap.



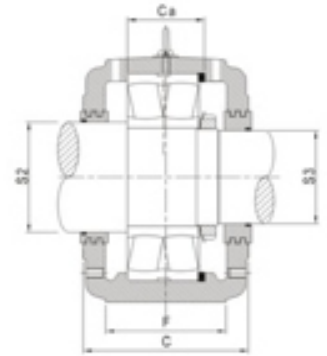
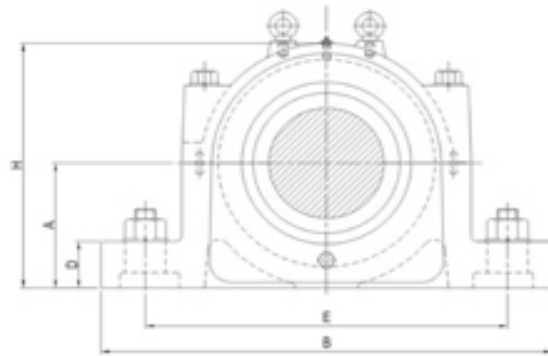
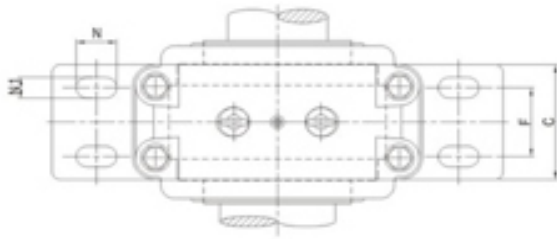
Bearing Housing No.	Shaft dia S1	DIMENSION IN MM										Foundation Bolts(Nos.) mm inch		Ca	Approx Weight kg	Bearing No.	Stabilizing Ring	
		B	E	F	C	D	A	H	L	N	N1	mm	inch					
SAF 616	68.26	362	295	—	99	44.4	108.0	210	165	45	22	20	3/4(2)	68	30.5	1316K	14.5/170	2
				54								16	5/8(4)				22316CCK	10/170
SAF 617	74.61	388	315	—	111	44.4	114.3	222	171	45	26	24	7/8(2)	70	40	1317K	14.5/180	2
				60								20	3/4(4)				22317CCK	10/180
SAF 618	80.96	395	325	57	111	50.8	120.6	234	175	39	22	20	3/4(4)	74	44.5	1318K	15.5/190	2
																	22318CCK	10/190
SAF620	87.31	419	352	70	121	54.0	133.4	261	187	36	22	20	3/4(4)	83	57	22320CCK	10/215	1
SAF 622	100.01	467	390	83	130	60.2	152.4	292	203	42	26	24	7/8(4)	90	76	22322CCK	10/240	1
SAF 624	106.36	540	448	95	159	63.5	160.3	318	213	40	28	24	1(4)	96	101	22324CCK	10/260	1
SAF 626	112.71	560	465	95	159	66.7	169.9	338	222	48	28	24	1(4)	103	121	22326CCK	10/280	1
SAF 628	125.41	630	520	108	171	69.8	179.4	360	238	52	28	24	1(4)	112	151	22328CCK	10/300	1
SAF 630	131.76	680	565	118	181	76.2	190.5	378	248	58	28	24	1(4)	118	172	22330CCK	10/320	1
SAF 632	138.11	710	585	114	191	79.4	200.0	400	273	65	35	30	1.1/4(4)	124	196	22332CCK	10/340	1
SAF 634	150.81	750	603	127	203	85.7	209.6	419	286	65	35	30	1.1/4(4)	130	236	22334CCK	10/360	1
SAF 636	163.51	795	645	133	210	88.9	225.4	470	286	65	35	30	1.1/4(4)	136	272	22336CCK	10/380	1
SAF 638	176.21	830	668	133	222	95.25	241.3	498	305	70	42	36	1.3/8(4)	142	322	22338CCK	10/400	1
SAF 640	182.56	870	710	140	229	101.6	250.8	513	311	70	42	36	1.3/8(4)	148	350	22340CCK	10/420	1





Low Block Straight bore Mounting

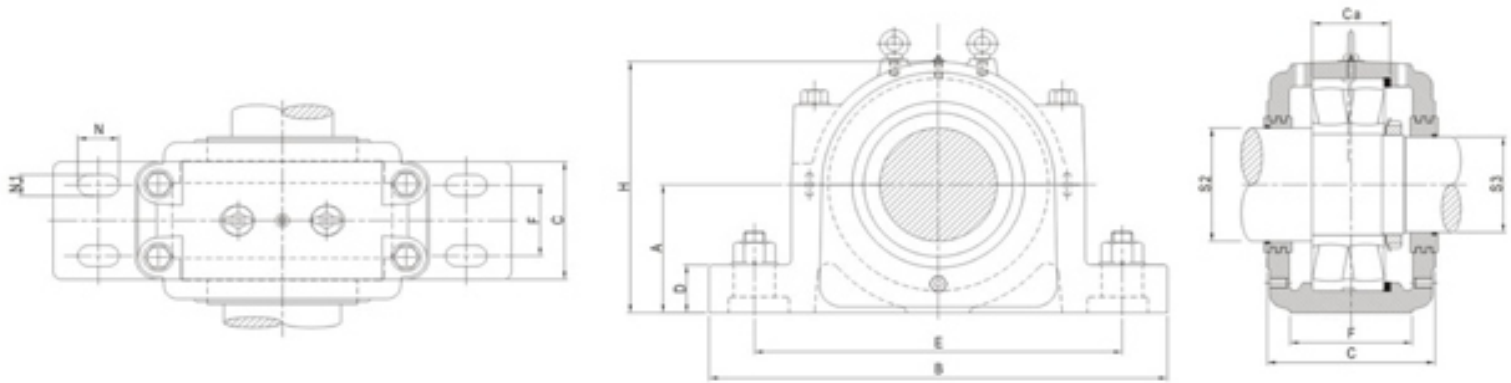
Plummer Block SAF 224 and above are supplied with Eye bolt on cap.



Bearing Housing No.	Shaft Diameter				DIMENSION IN MM										Foundation Bolts(Nos.)		Ca	Approx Weight kg	Bearing No.	Stabilizing Ring Size Nos.	
	S2 inch	S2 mm	S3 inch	S3 mm	B	E	F	C	D	A	H	L	N	N1	mm	inch				mm	inch
SAF 216	3.5/8	92.08	3	76.2	330	260	—	90	30.2	88.9	175	124	35	22	20	3/4(2)	43	15	1216	8.5/140	2
							54						35	18	16	5/8(4)			2216,22216CC	10/140	1
SAF 217	3.15/16	100.01	3.3/16	80.96	330	265	—	90	31.8	95.2	185	127	35	22	20	3/4(2)	46	16.5	1217	9/150	2
							54						35	18	16	5/8(4)			2217,22217CC	10/150	1
SAF 218	4.1/8	104.78	3.3/8	85.72	350	280	—	99	38.1	101.6	197	146	32	22	20	3/4(2)	50	20.5	1218	10/160	2
							54						32	18	16	5/8(4)			2218,22218CC	10/160	1
SAF 219	4.1/4	107.95	3.9/16	90.48	362	295	—	99	44.4	108	210	150	32	22	20	3/4(2)	53	27.5	1219	10.5/170	2
							54						32	18	16	5/8(4)			2219,22219CC	10/170	1
SAF220	4.1/2	114.30	3.13/16	96.84	388	315	—	111	44.4	114.3	222	156	42	26	22	7/8(2)	56	34	1220	11/180	2
							60						42	20	22	3/4(4)			22220CC	10/180	1
SAF222	4.7/8	123.82	4.3/16	106.36	419	345	70	121	50.8	125.4	245	165	42	22	20	3/4(4)	63	44.5	1222	12.5/200	2
																			22222 CC	10/200	1
SAF 224	5.5/16	134.94	4.9/16	115.89	419	352	70	121	54.0	133.4	261	188	42	22	20	3/4(4)	68	55	22224CC	10/215	1
SAF 226	5.7/8	149.22	4.15/16	125.41	467	390	82.6	130	60.3	152.4	294	200	40	26	22	7/8(4)	74	73	22226CC	10/230	1
SAF 228	6.1/4	158.75	5.5/16	134.95	511	421	85.7	150	60.3	152.4	300	195	40	28	24	1(4)	78	80	22228CC	10/250	1
SAF 230	6.5/8	168.28	5.3/4	146.05	540	450	95.2	160	63.5	160.3	318	213	42	28	24	1(4)	83	101	22230CC	10/270	1



**Masta Brand SAF Series Pillow block Suitable for Straight Bore Mounting**

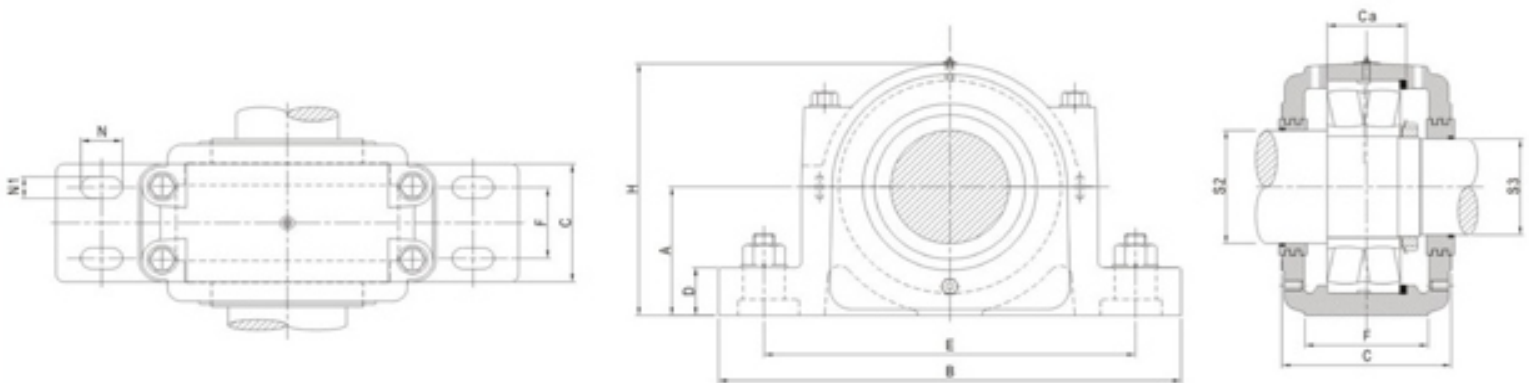


Bearing Housing No.	Shaft Diameter				DIMENSION IN MM											Foundation Bolts(Nos.)		Ca	Approx Weight kg	Bearing No.	Stabilizing Ring	
	S2 inch	S2 mm	S3 inch	S3 mm	B	E	F	C	D	A	H	L	N	N1	mm	inch	mm				inch	
SAF 232	7	177.80	6.1/16	153.99	560	465	95.2	160	66.7	169.9	338	222	48	28	24	1(4)	90	111	22232CC	10/290	1	
SAF 234	7.7/16	188.91	6.7/16	163.51	630	520	108.0	172	69.8	179.4	360	245	54	28	24	1(4)	96	141	22234CC	10/310	1	
SAF 236	7.13/16	198.44	6.7/8	174.62	680	565	117.5	181	76.2	190.5	378	254	60	28	24	1(4)	96	156	22236CC	10/320	1	
SAF 238	8.3/8	212.72	7.1/4	184.15	712	585	114.3	190	79.4	200.0	400	273	65	35	30	1.1/4(4)	102	181	22238CC	10/340	1	
SAF 240	8.3/4	222.25	7.5/8	193.68	750	605	127.0	203	85.7	209.6	419	286	65	35	30	1.1/4(4)	108	222	22240CC	10/360	1	
SAF 244	9.9/16	242.89	8.5/16	211.14	832	670	133.4	222	95.2	241.3	475	305	80	42	40	1.1/2(4)	118	307	22244CC	10/400	1	



Masta Brand SAF Series Pillow block Suitable for Straight Bore Mounting

Plummer Block SAF 320 and above are supplied with Eye bolt on cap.



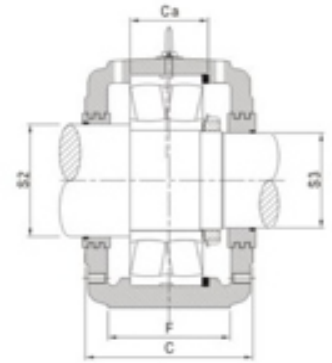
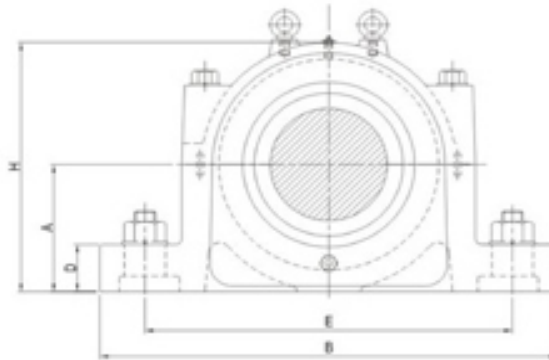
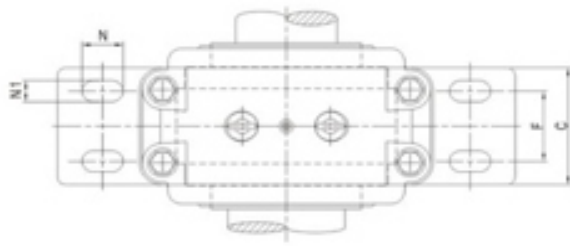
Bearing Housing No.	Shaft Diameter				DIMENSION IN MM											Foundation Bolts(Nos.)		Ca	Approx Weight kg	Bearing No.	Stabilizing Ring	
	S2 inch	S2 mm	S3 inch	S3 mm	B	E	F	C	D	A	H	L	N	N1	mm	inch	No.				10/90	10/90
SAF 308	1.15/16	49.21	1.7/16	36.51	210	170	—	60	25.4	63.5	122	102	23	15	12	1/2(2)	43	6.5	1308	10/90	2	
																			22308CC	10/90	1	
SAF 309	2.1/8	53.98	1.11/16	42.86	245	195	—	70	25.4	69.8	135	108	23	18	16	5/8(2)	46	8	1309	10.5/100	2	
																			22309CC	10/100	1	
SAF 310	2.3/8	60.32	1.7/8	47.62	270	210	—	70	28.6	76.2	148	118	32	18	16	5/8(2)	50	105	1310	11.5/110	2	
																			22310CC	10/110	1	
SAF 311	2.9/16	65.09	2.1/16	52.39	280	225	—	80	30.2	82.6	157	124	32	18	16	5/8(2)	53	12.5	1311	12/120	2	
							51	80					32	18	12	1/2(4)			22311CC	10/120	1	
SAF 312	2.7/8	73.02	2.1/4	57.15	286	230	—	80	30.2	82.6	162	133	32	18	16	5/8(2)	56	15.6	1312	12.5/130	2	
							48	80					32	18	12	1/2(4)			22312CC	10/130	1	
SAF 313	3.1/16	77.79	2.7/16	61.91	330	260	—	90	31.8	88.9	176	137	37	22	20	3/4(2)	58	18	1313	12.5/140	2	
							54	90					37	22	16	5/8(2)			22313CC	10/140	1	
SAF 314	3.1/4	82.55	2.5/8	66.68	330	265	—	90	31.8	95.2	187	137	37	22	20	3/4(2)	61	22.4	1314	13/150	2	
							54	90					37	22	16	5/8(4)			22314CC	10/150	1	
SAF 315	3.7/16	87.31	2.13/16	71.44	350	280	—	99	41.3	101.6	197	159	37	22	20	3/4(2)	65	25.5	1315	14/160	2	
							54	99					37	22	16	5/8(4)			22315CC	10/160	1	
SAF 316	3.5/8	92.08	3	76.20	362	295	—	99	44.4	108.0	210	165	45	22	20	3/4(2)	68	30.5	1316	14.5/170	2	
							54	99					45	22	16	5/8(4)			22316CC	10/170	1	
SAF 317	3.15/16	100.01	3.3/16	80.96	388	315	—	111	44.4	114.3	222	171	45	26	24	1(2)	70	40	1317	14.5/180	2	
							60						45	26	20	3/4(4)			22317CC	10/180	1	





Masta Brand SAF Series Pillow block Suitable for Straight Bore Mounting

Plummer Block SAF 320 and above are supplied with Eye bolt on cap.



Bearing Housing No.	Shaft Diameter				DIMENSION IN MM											Foundation Bolts(Nos.)		Ca	Approx Weight kg	Bearing No.	Stabilizing Ring	
	S2 inch	S2 mm	S3 inch	S3 mm	B	E	F	C	D	A	H	L	N	N1	Mm	inch						
SAF 318	4.1/8	104.8	3.3/8	85.72	395	325	57	111	50.8	120.6	234	175	39	22	20	3/4(4)	74	44.5	1318	15.5/190	2	
																			22318CC	10/190	1	
SAF 320	4.1/2	114.30	3.13/16	96.84	419	352	70	121	54.0	133.4	261	187	36	22	20	3/4(4)	83	57	22320CC	10/215	1	
SAF 322	4.7/8	123.82	4.3/16	106.36	467	390	83	130	60.2	152.4	292	203	42	26	24	7/8(4)	90	76	22322CC	10/240	1	
SAF 324	5.5/16	134.94	4.9/16	115.89	540	448	95	159	63.5	160.3	318	213	40	28	24	1(4)	96	101	22324CC	10/260	1	
SAF 326	5.7/8	149.22	4.15/16	125.41	560	465	95	159	66.7	169.9	338	222	48	28	24	1(4)	103	121	22326CC	10/280	1	
SAF 328	6.1/4	158.75	5.5/16	134.94	630	520	108	171	69.8	179.4	360	238	52	28	24	1(4)	112	151	22328CC	10/300	1	
SAF330	6.5/8	168.28	5.3/4	146.05	680	565	118	181	76.2	190.5	378	248	58	28	24	1(4)	118	172	22330CC	10/320	1	
SAF332	7	177.80	6.1/16	153.99	710	585	114	191	79.4	200.0	400	273	65	35	30	1.25(4)	124	196	22332CC	10/340	1	
SAF334	7.7/16	188.91	6.7/16	163.51	750	603	127	203	85.7	209.6	419	286	65	35	30	1.25(4)	130	236	22334CC	10/360	1	
SAF 336	7.13/16	198.44	6.7/8	174.62	795	645	133	210	88.9	225.4	470	286	65	35	30	1.25(4)	136	267	22336CC	10/380	1	
SAF338	8.3/8	212.72	7.1/4	184.15	830	668	133	222	95.3	241.3	498	305	70	42	36	1.5(4)	142	322	22338CC	10/400	1	
SAF 340	8.3/4	222.25	7.5/8	193.68	870	710	140	229	102	250.8	513	311	70	42	36	1.5(4)	148	350	22340CC	10/420	1	