



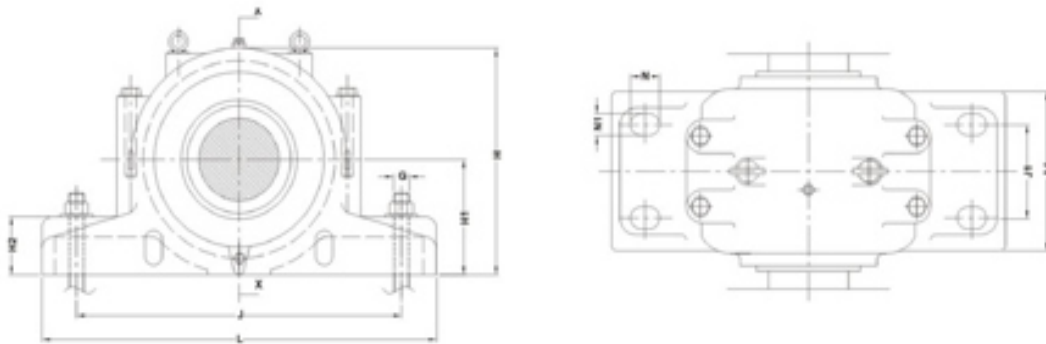
HOWRAH NEWO TECHNOLOGY



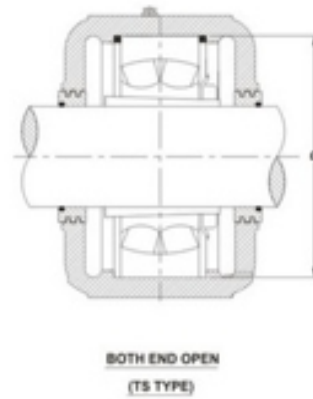
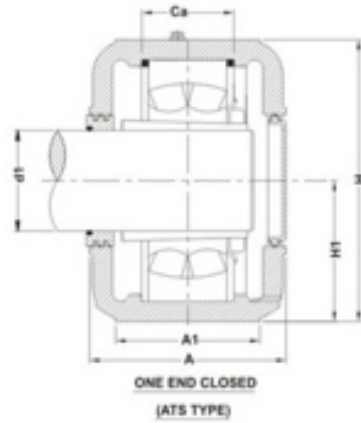
SD SERIES



Plummer Blocks (Bearing housings)
Series SD 33 Suitable for bearing series 230K with Adapter Sleeve



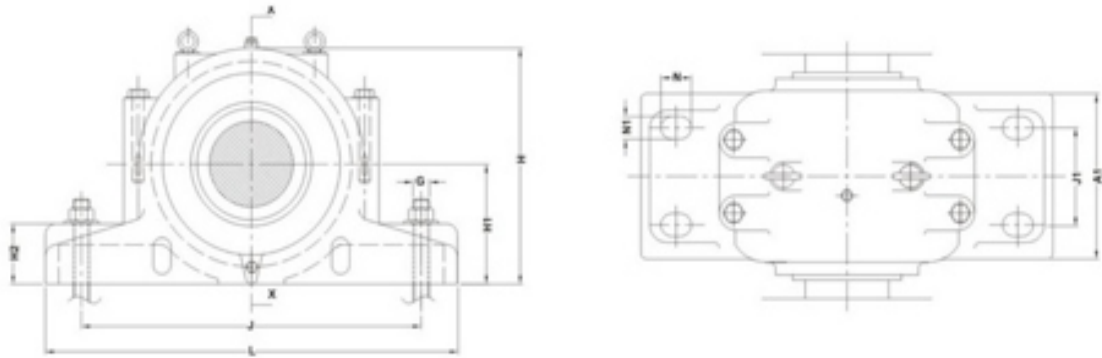
Plummer Block Designation	Shaft dia d1	DIMENSION IN MM							
		L	J	J1	H2	H1	H	A1	A
SD 3340	180	620	510	140	60	180	360	230	270
SD 3344	200	700	570	160	65	200	400	260	290
SD 3348	220	740	610	170	65	210	420	270	300
SD 3352	240	820	680	190	70	240	475	300	330
SD 3356	260	860	710	200	85	250	500	320	350
SD 3360	280	920	770	210	85	280	550	330	360
SD 3364	300	940	790	210	85	280	560	340	370
SD 3368	320	1020	860	230	100	310	615	370	400
SD 3372	340	1060	890	250	100	325	640	390	410
SD 3376	360	1080	900	260	100	340	665	390	410



Shaft dia d1	DIMENSION IN MM						Appropriate Bearing and Adapter Sleeve	1 No. Locating Ring size
	Ca	N	N1	G	A2	D		
180	92	52	32	M30	280	310	23040K + H3040	10 x 310
200	100	55	35	M30	300	340	23044K + H3044	10 x 340
220	102	55	35	M30	310	360	23048K + H3048	10 x 360
240	114	60	40	M36	340	400	23052K + H3052	10 x 400
260	116	62	42	M36	360	420	23056K + H3056	10 x 420
280	128	62	42	M36	370	460	23060K + H3060	10 x 460
300	131	62	42	M36	380	480	23064K + H3064	10 x 480
320	143	70	50	M42	410	520	23068K + H3068	10 x 520
340	144	70	50	M42	420	540	23072K + H3072	10 x 540
360	145	70	50	M42	420	560	23076K + H3076	10 x 560

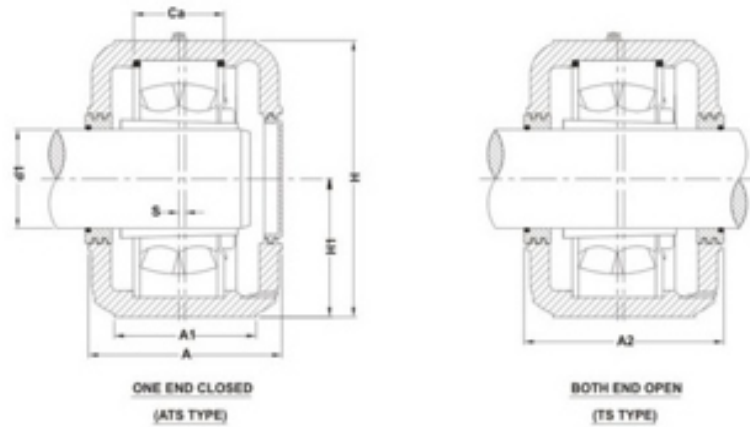


**Masta Brand SD Series Plummer Block with Labyrinth collars
For bearing with tapered boer and adapter sleeves**



Plummer Block Designation	Shaft dia d1	DIMENSION IN MM							
		A	A1	A2	H	H1	H2	L	J
SD 3134	150	230	180	240	335	170	70	510	430
SD 3136	160	240	190	250	355	180	75	530	450
SD 3138	170	260	210	270	375	190	80	560	480
SD 3140	180	280	230	290	410	210	85	610	510
SD 3144	200	290	240	300	435	220	90	640	540
SD 3148	220	310	260	320	475	240	95	700	600
SD 3152	240	320	280	330	515	260	100	770	650
SD 3156	260	320	280	330	550	280	105	790	670
SD 3160	280	350	310	360	590	300	110	830	710
SD 3164	300	370	330	380	630	320	115	880	750

(Suffix TS = Labyrinth Seals on both ends
ATS = One Side Laby Seal, other Side Endcover.)

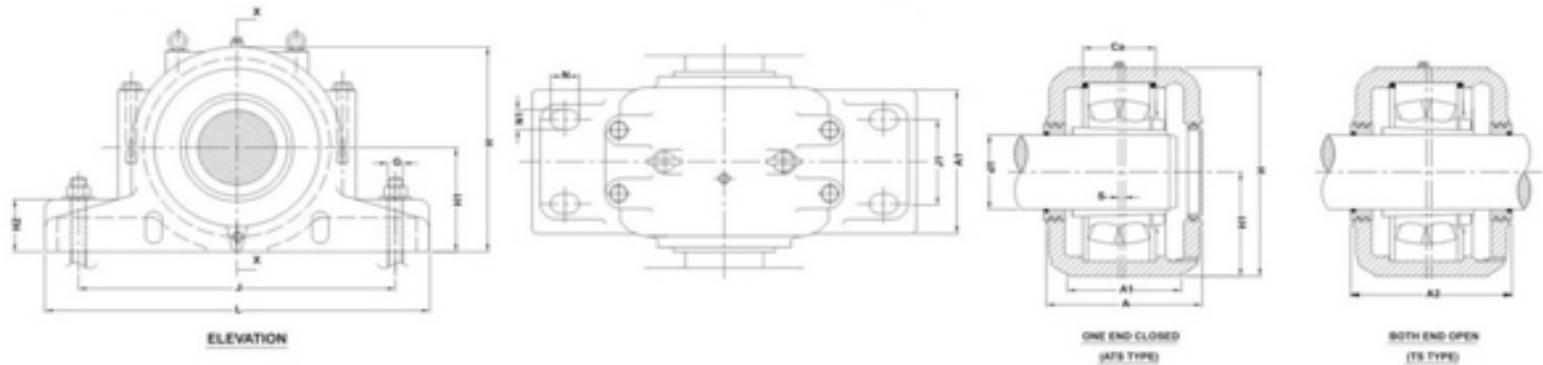


Shaft dia d1	DIMENSION IN MM						Appropriate Bearing and Adapter Sleeve	2 Nos. Locating Ring size	Approx Weight Kg.
	J1	S	G	Ca	N	N1			
150	100	14	24	108	34	28	23134 CK+H3134	FRB 10/280	66
160	110	15	24	116	34	28	23136 CK+H3136	FRB 10/300	77
170	120	10	24	124	34	28	23138 CK +H3138	FRB 10/320	97
180	130	10	30	132	42	35	23140 CK+H3140	FRB 10/340	122
200	140	12	30	140	42	35	23144CK+3144A	FRB 10/370	138
220	150	12	30	148	42	35	23148CK+H3148A	FRB 10/400	182
240	160	13	36	164	50	42	23152CK+H3152A	FRB 10/440	217
260	160	16	36	166	50	42	23156CK+H3156A	FRB 10/460	252
280	190	22	36	180	50	42	23160CK+H3160	FRB 10/500	303
300	200	23	36	196	50	42	23164 CK+H3164	FRB 10/540	333



Masta Brand SD 30 Series Plummer Block with Labyrinth collars

For bearing with tapered bore and adapter sleeves

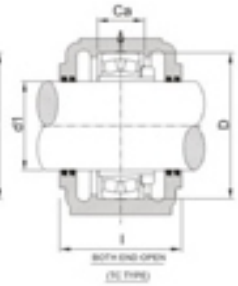
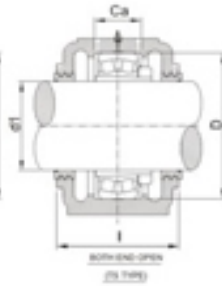
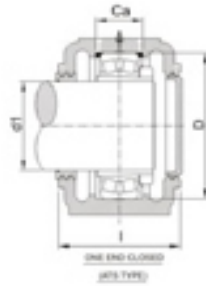
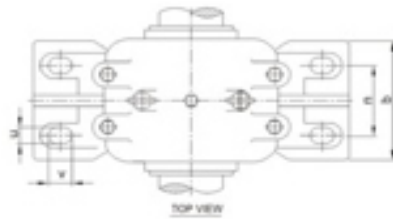
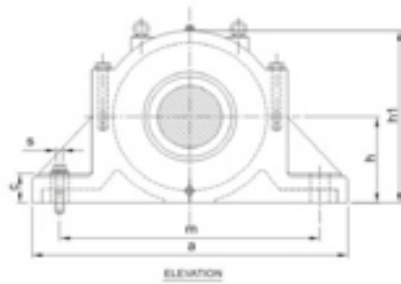


Housing Only No.	Bearing with Adapter Sleeve No.	DIMENSION IN MM														Locating Ring size Two Nos. Per Housing	Ca Total Bearing Width
		d1	A	A1	A2	H	H1	H2	L	J	J1	S	G	N	N1		
SD 3036	23036 CK + H 3036	160	230	180	240	333	170	70	510	430	100	14	M-24	34	28	10/280	94
SD 3038	23038 CK + H 3038	170	240	190	250	355	180	75	530	450	110	15	M-24	34	28	10/290	95
SD 3040	23040 CK + H 3040	180	260	210	270	375	190	80	560	480	120	10	M-24	34	28	10/310	102
SD 3044	23044 CK + OH 3044 H	200	280	230	290	411	210	85	610	510	130	10	M-30	42	35	10/340	110
SD 3048	23048 CK + OH 3048 H	220	290	240	300	434	220	90	640	540	140	12	M-30	42	35	10/360	112
SD 3052	23052 CK + H 3052	240	310	260	320	475	240	95	700	600	150	12	30	42	35	10/400	124
SD 3056	23056 CK + H 3056	260	320	280	330	515	260	100	770	650	160	13	36	50	42	10/420	126
SD 3060	23060 CK + H 3060	280	320	280	330	550	280	105	790	670	160	16	36	50	42	10/460	138
SD 3064	23064 CK + H 3064	300	350	310	360	590	300	110	830	710	190	22	36	50	42	10/480	141
SD 3068	23068CK + H 3068	320	370	330	380	630	320	115	880	750	200	23	36	50	42	10/520	153
SD 3072	23072 CK + H 3072	340	370	330	380	630	320	115	880	750	200	23	36	50	42	10/540	154
SD 3076	23076 CK + H3076	360	390	350	400	670	340	120	930	790	210	25	36	50	42	10/560	155
SD 3080	23080 CK + H 3080	380	410	350	420	720	365	145	980	840	210	12	36	50	42	10/600	168



Masta Brand SD 500 Series Plummer Block with Felt Seals or with Labyrinth Seals

For bearing with tapered bore and adapter sleeves

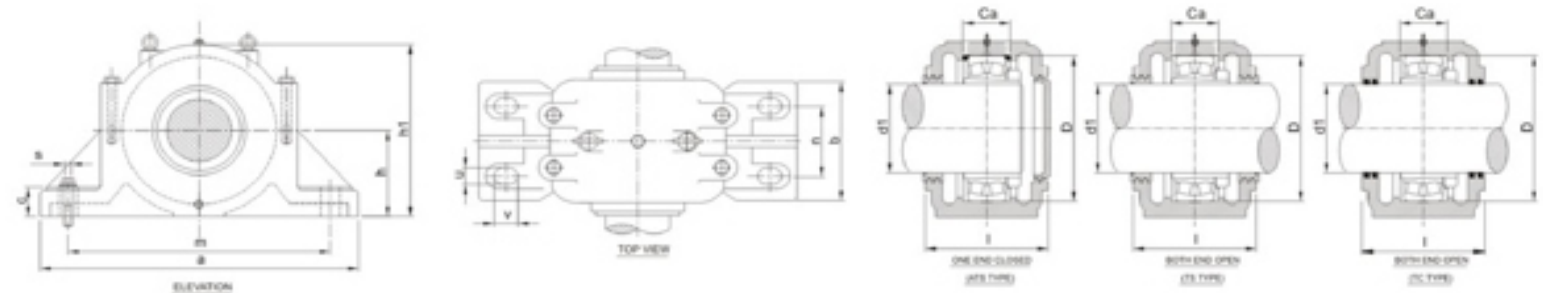


Housing No.	Bearing with Adapter Sleeve No.	DIMENSION IN MM													Locating Ring size Two Nos. Per Housing	Ca Total Bearing Width
		d1	a	b	c	l	h	h1	m	n	v	u	s	D		
SD 530	22230 CK + H 3130	135	550	220	55	240	160	320	450	120	45	33	27	270	10/270	93
SD 532	22232 CK + H 3132	140	580	230	55	250	170	340	480	130	45	33	27	290	10/290	100
SD 534	22234 CK + H 3134	150	620	250	60	270	180	360	510	140	50	36	30	310	10/310	106
SD 536	22236 CK + H 3136	160	650	260	60	280	190	380	540	150	50	36	30	320	10/320	106
SD 538	22238 CK + H 3138	170	700	280	65	290	200	400	570	160	55	40	33	340	10/340	112
SD 540	22240 CK + H 3140	180	740	290	65	300	210	420	610	170	55	40	33	360	10/360	118
SD 544	22244 CK + H 3144	200	820	320	70	330	240	475	680	190	62	42	36	400	10/400	128
SD 548	22248 CK + H 3148	220	880	330	85	340	260	515	740	200	65	45	39	440	10/440	140
SD 552	22252 CK + H 3152	240	940	360	85	370	280	555	790	210	65	45	39	480	10/480	150
SD 556	22256 CK + H 3156	260	990	380	100	390	300	590	830	230	77	52	45	500	10/500	150
SD 560	22260 CK + H 3160	280	1060	400	100	410	325	640	890	250	77	52	45	540	10/540	160



Masta Brand SD 600 Series Plummer Block with Felt Seals or with Labyrinth Seals

For bearing with tapered bore and adapter sleeves



Housing No.	Bearing with Adapter Sleeve No.	DIMENSION IN MM														Locating Ring size Two Nos. Per Housing	Total Bearing Width Ca mm
		d1	a	b	c	l	h	h1	m	n	v	u	Mm	s inch	D		
SD 628	22328 CK + H 2328	125	580	230	55	250	170	340	480	130	45	33	M 27	1-1/16	300	10/300	122
SD 630	22330 CK + H 2330	135	650	260	60	280	190	380	540	150	50	36	M 30	1-1/8	320	10/320	128
SD 632	22332 CK + H 2332	140	700	280	65	290	200	400	570	160	55	40	M 33	1-1/4	340	10/340	134
SD 634	22334 CK + H 2334	150	740	290	65	300	210	420	610	170	55	40	M 33	1-1/4	360	10/360	140
SD 636	22336 CK + H 2336	160	780	310	70	320	225	450	640	180	62	42	M 36	1-3/8	380	10/380	146
SD 638	22338 CK + H 2338	170	820	320	70	330	240	475	680	190	62	42	M 36	1-3/8	400	10/400	152
SD 640	22340CK + H 2340	180	860	340	85	350	250	500	710	200	65	45	M 39	1-1/2	420	10/420	158
SD 644	22344 CK + H 2344	200	920	350	85	360	280	550	770	210	65	45	M 39	1-1/2	460	10/460	165
SD 648	22348 CK + H 2348	220	990	380	100	390	300	590	830	230	77	52	M 45	1-3/4	500	10/500	175
SD 652	22352 CK + H 2352	240	1060	400	100	410	325	640	890	250	77	52	M 45	1-3/4	540	10/540	185