



HOWRAH NEWO TECHNOLOGY



SDAF SERIES



SDAF Series Plummer Blocks are suitable for inch size shafts. The bearing housings are having robust construction suitable for heavy impact and thrust loads. The housings can be supplied even for MM size shafts by replacing the labyrinth collars.

Bearing Housings can be supplied with labyrinth seals or taconite seals.

- ▶ For bearing with adaptor sleeves or for straight bore bearings.

- ▶ For Grease Lubrication

or

- ▶ For Oil Lubrication

In Cast Iron / S.G.Iron / Cast Steel material

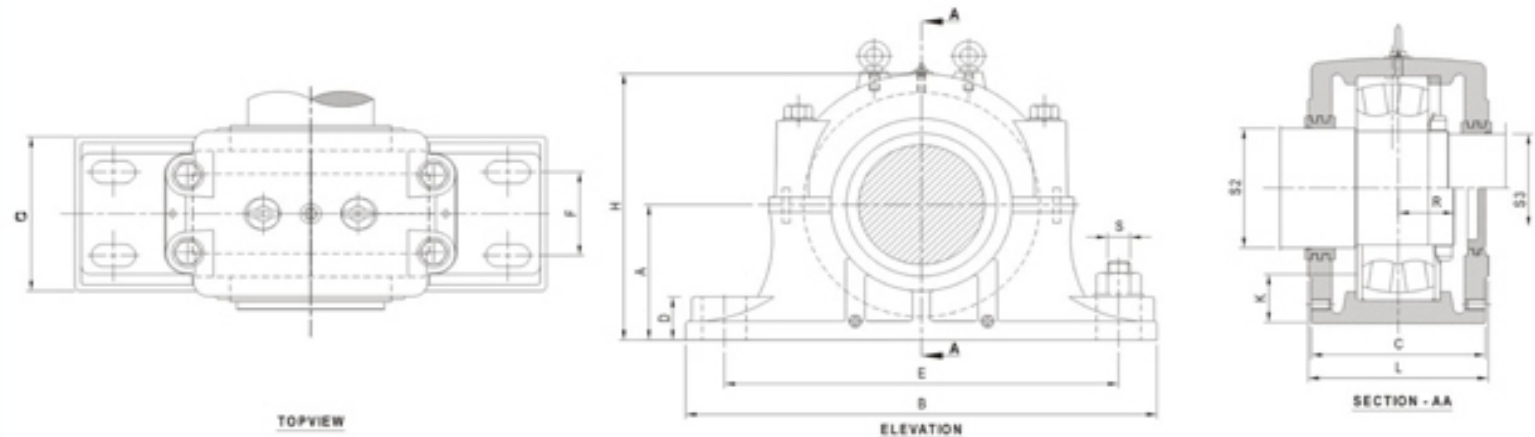


SDAF type bearing housings are horizontally split type in construction and are available in Cast Iron, Cast Steel or S.G. Iron material as per order. They are suitable to withstand heavier and shock loads due to its robust construction. For efficient sealing and preventing foreign particles to enter in to the bearing housings, triple or double seal type labyrinth rings are provided.

For mounting the plummer blocks on the foundation, two or four elongated bolt holes are provided. For four bolt holes, plummer block designation is prefixed with "F" e.g. FSDAF 520 SDAF 200 series are suitable for bearings of series 1200, 2200, 22200 CC and SDAF 300 Series are suitable for 1300, 2300, 22300 CC bearings with cylindrical bore SDAF 500 series are suitable for 1200 K, 2200 K, 22200 CCK bearings with tapered bore with adapter sleeves. SDAF 600 series are suitable for 1300 K, 2300 K and 22300 CCK series.



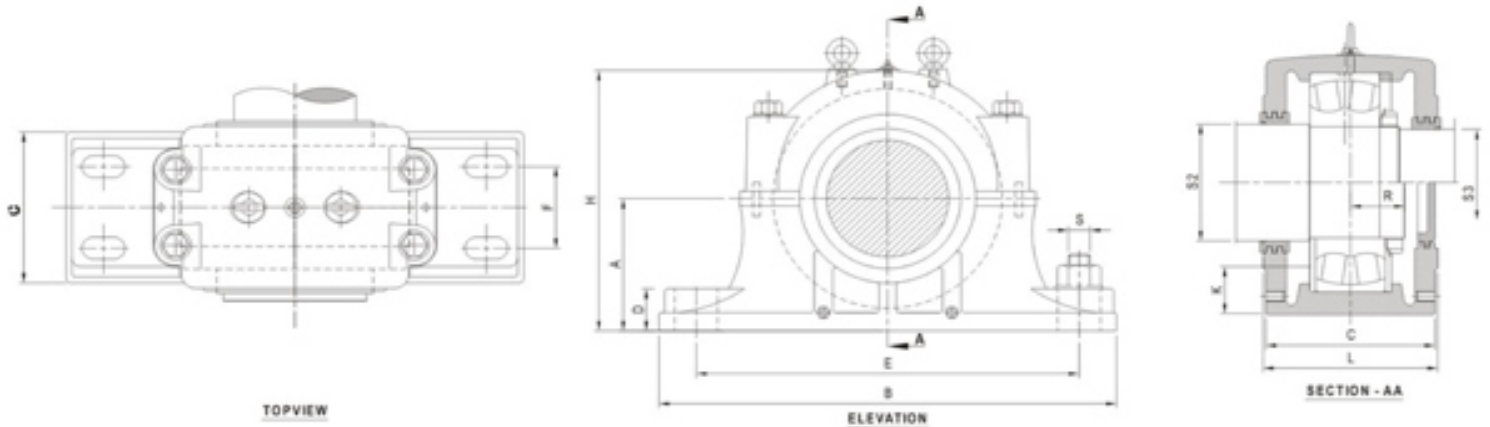
SDAF 200 Series Pillow block Housing Suitable for 22200 CC (Straight Bore Bearing)



Pillow Block Housing Designation	Shaft Dia.		Bearing Designation	A	B	C	D	E		F	H	Static Oil Level K	L	Bolts (No. Req'd)	Approx Weight kg.	R
	S-2 mm	S-3						Max. mm	Min. mm							
SDAF 220	114.3	96.84	22220 CC/W33	114.3	387.4	152.4	47.6	333.4	295.3	85.7	227	42.1	171.4	(4)-3/4	34.5	48.8
SDAF 222	123.82	106.36	22222 CC/W33	125.4	419.1	171.4	54	368.3	320.7	101.6	250.8	46	184.2	(4)-7/8	45.5	54
SDAF 224	134.94	115.89	22224 CC/W33	133.4	419.1	174.6	57.2	368.3	336.6	104.8	266.7	46.8	187.3	(4)-7/8	54.5	57.9
SDAF 226	149.22	125.41	22226 CC/W33	152.4	466.7	190.5	60.3	406.4	371.5	114.3	301.6	59.5	203.2	(4)-1	72.5	62.7
SDAF 228	158.75	134.93	22228 CC/W33	152.4	511.17	190.5	60.3	463.4	377.8	114.3	306.3	54	182.5	(4)-1	79.5	66.3
SDAF 230	168.28	146.05	22230 CC/W33	160.3	539.8	200	63.5	463.6	431.8	120.6	319.1	51.6	212.7	(4)-1 1/8	90.5	70.2
SDAF 232	177.8	153.99	22232 CC/W33	169.9	558.8	209.6	63.5	489	441.3	127	341.3	53.2	222.2	(4)-1 1/8	115	75.4
SDAF 234	188.91	163.51	22234 CC/W33	179.4	628.6	228.6	63.5	549.3	492.1	139.7	362	54.8	244.5	(4)-1 1/4	140	79.4
SDAF 236	198.44	174.62	22236 CC/W33	190.5	679.4	238.1	69.8	600.1	530.2	149.2	385.8	60.3	254	(4)-1 1/4	165	79.8
SDAF 238	212.72	184.15	22238 CC/W33	200	701.7	254	76.2	596.9	546.1	158.8	406.4	61.9	269.9	(4)-1 1/8	185	83.7
SDAF 240	222.25	193.68	22240 CC/W33	209.6	703.2	266.7	82.6	635	584.2	171.4	428.6	63.5	282.6	(4)-1 3/8	220	88.9
SDAF 244	242.89	211.14	22244 CC/W33	241.3	812.8	285.8	88.9	708	650.9	184.2	482.6	79.4	301.6	(4)-1 1/2	290	92.1



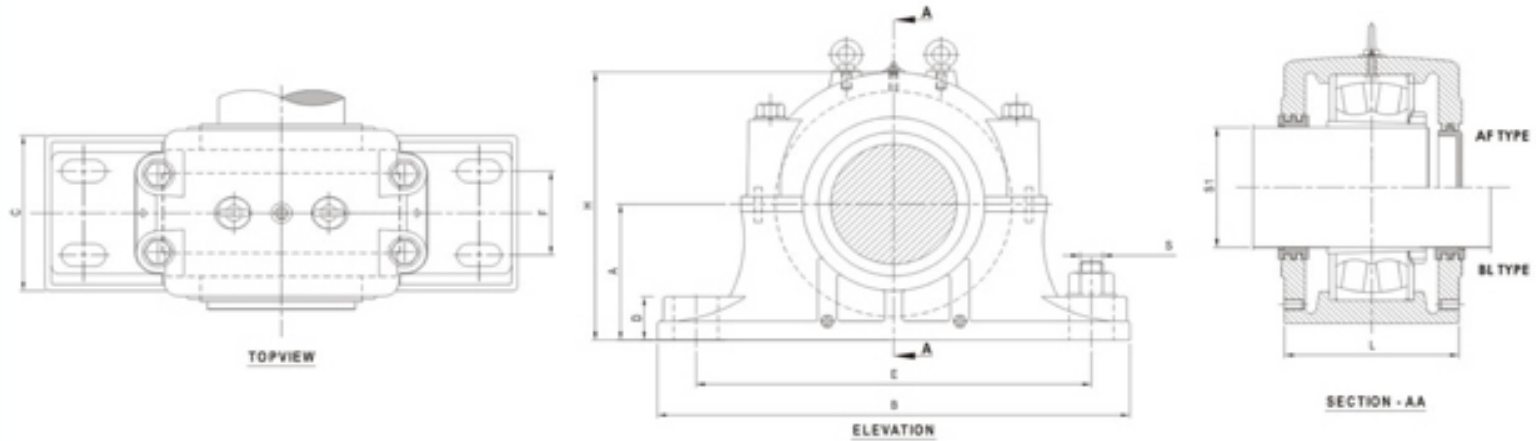
SDAF 300 Series Pillow block Housing Suitable for 22300 CC (Straight Bore Bearing)



Pillow Block Housing Designation	Shaft Dia.		Bearing Designation	A	B	C	D	E				Static Oil Level K	L	Bolts (No. Req'd)	Approx Weight kg.	R
	S-2	S-3						Max.	Min.	F	H					
	mm	mm						mm	mm	mm	mm					
SDAF 316	92.08	76.2	22316 CC/W33	108	362	139.7	44.4	320.7	269.9	82.6	209.6	42.9	161.9	(4)-5/8	31	49.2
SDAF 317	100.01	80.96	22317 CC/W33	114.3	387.4	152.4	47.6	333.4	295.3	85.7	227	45.2	171.4	(4)-3/4	37.5	52.4
SDAF 318	104.78	85.72	22318 CC/W33	120.6	393.7	155.6	50.8	342.9	304.8	92.1	239.7	48.4	174.6	(4)-3/4	44.5	55.6
SDAF 320	114.3	96.84	22320 CC/W33	133.4	419.1	174.6	57.2	368.3	336.6	104.8	266.7	51.6	187.3	(4)-7/8	59	61.9
SDAF 322	123.82	106.36	22322 CC/W33	152.4	466.7	190.5	60.3	406.4	371.5	114.3	301.6	61.1	203.2	(4)-1	77	66.7
SDAF 324	134.94	115.89	22324 CC/W33	160.3	539.8	200	63.5	463.6	431.8	120.6	319.1	61.1	212.7	(4)-1 1/8	95.5	71.4
SDAF 326	149.22	125.41	22326 CC/W33	169.9	558.8	209.6	63.5	489	441.3	127	341.3	62.7	222.2	(4)-1 1/8	120	76.2
SDAF 328	158.75	134.94	22328 CC/W33	179.4	628.8	228.6	63.5	549.3	492.1	139.7	362	65.1	238.1	(4)-1 1/4	145	82.6
SDAF 330	168.28	146.05	22330 CC/W33	190.5	679.4	238.1	69.8	600.1	530.2	149.2	385.8	66.7	247.6	(4)-1 1/4	175	87.3
SDAF 332	177.8	153.99	22332 CC/W33	200	701.7	254	76.2	596.9	546.1	158.8	406.4	69.1	269.9	(4)-1 3/8	200	92.1
SDAF 334	188.91	163.51	22334 CC/W33	209.6	730.2	266.7	82.6	635	584.2	171.4	428.6	69.8	282.6	(4)-1 3/8	230	95.2
SDAF 336	198.44	174.62	22336 CC/W33	225.4	774.7	273	82.6	669.9	612.8	174.6	455.6	77.8	288.9	(4)-1 1/2	275	98.4
SDAF 338	212.72	184.15	22338 CC/W33	241.3	812.8	285.8	88.9	708	650.9	184.2	482.6	86.5	301.6	(4)-1 1/2	315	103.2
SDAF 340	222.25	193.68	22340 CC/W33	250.8	850.9	298.4	88.9	743	676.3	193.7	501.6	88.1	314.3	(4)-1 5/8	350	108



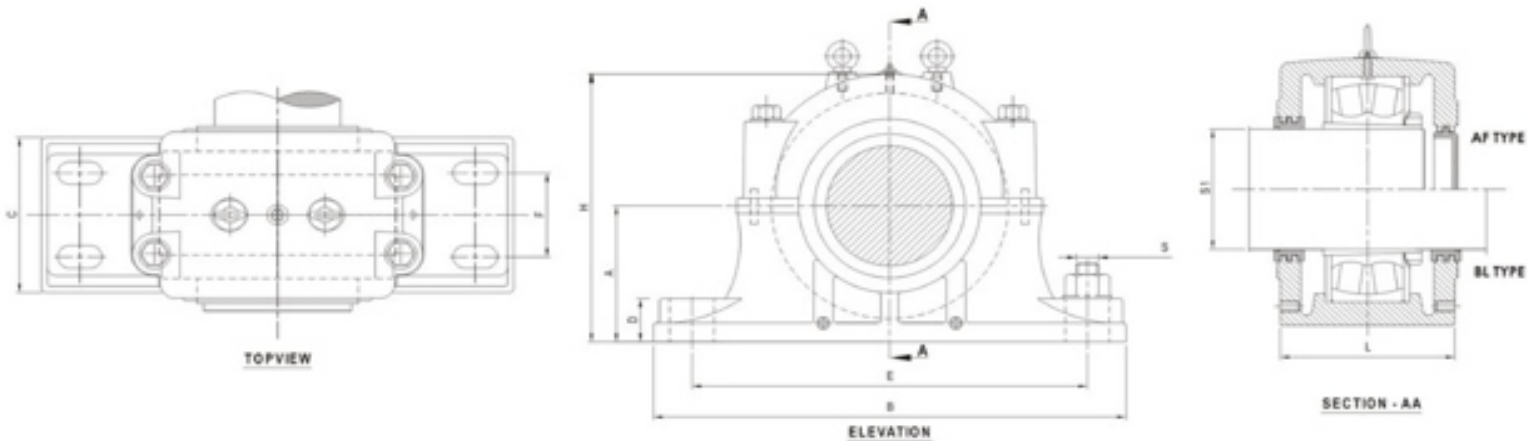
SDAF 500 Series Pillow block Housing Suitable for 22200 CCK Bearings with Adapter Sleeves



Pillow Block Housing Designation	Shaft Dia. S-1 mm	Bearing Designation	A	B	C	D	E		F	H	Static Oil Level K mm	L mm	Bolts (No. Req'd) inches	Approx. Weight kg.	R mm
			mm	mm	mm	mm	Max. mm	Min. mm	mm	mm					
SDAF 520	87.31	22220 CCK/W33	114.3	387.4	152.4	47.6	333.4	295.3	85.7	227	42.1	171.4	(4)-3/4	36.5	48.8
SDAF 522	100.01	22222 CCK/W33	125.4	419.1	171.4	54	368.3	320.7	101.6	250.8	46	184.2	(4)-7/8	47.5	54
SDAF 524	106.36	22224 CCK/W33	133.4	419.1	174.6	57.2	368.3	336.6	104.8	266.7	46.8	187.3	(4)-7/8	56.5	57.9
SDAF 526	112.71	22226 CCK/W33	152.4	466.7	190.5	60.3	406.4	371.5	114.3	301.6	59.5	203.2	(4)-1	75	62.7
SDAF 528	125.41	22228 CCK/W33	152.4	511.17	190.5	60.3	463.4	377.8	114.3	306.3	54	182.5	(4)-1	85	66.3
SDAF 530	131.76	22230 CCK/W33	160.3	539.8	200	63.5	463.6	431.8	120.7	319.1	51.6	212.7	(4)-1 1/8	97.5	70.2
SDAF 532	138.11	22232 CCK/W33	169.9	558.8	209.6	63.5	489	441.3	127	341.3	53.2	222.2	(4)-1 1/8	120	75.4
SDAF 534	150.81	22234 CCK/W33	179.4	628.6	228.6	63.5	549.3	492.1	139.7	362	54.8	244.5	(4)-1 1/4	150	79.4
SDAF 536	163.51	22236 CCK/W33	190.5	679.4	238.1	69.8	600.1	530.2	149.2	385.8	60.3	254	(4)-1 1/4	170	79.8
SDAF 538	176.21	22238 CCK/W33	200	701.7	254	76.2	596.9	546.1	158.8	406.4	61.9	269.9	(4)-1 3/8	195	83.7
SDAF 540	182.56	22240 CCK/W33	209.6	730.2	266.7	82.6	635	584.2	171.4	428.6	63.5	282.6	(4)-1 3/8	230	88.9
SDAF 544	201.61	22244 CCK/W33	241.3	812.8	285.8	88.9	708	650.9	184.2	482.6	79.4	301.6	(4)-1 1/2	310	92.1



SDAF 600 Series Pillow block Housing Suitable for 22300 CCK Bearings with Adapter Sleeves



Pillow Block Housing Designation	Shaft Dia. S-1 mm	Bearing Designation	A mm	B mm	C mm	D mm	E		F mm	H mm	Static Oil Level K mm	L mm	Bolts (No. Req'd) inches	Approx Weight kg.	R mm
							Max. mm	Min. mm							
SDAF 616	68.26	22316 CCK/W33	108	362	139.7	44.4	320.7	269.9	82.6	209.6	42.9	161.9	(4)-5/8	32	49.2
SDAF 617	74.61	22317 CCK/W33	114.3	387.4	152.4	47.6	333.4	295.3	85.7	227	45.2	171.4	(4)-3/4	38	52.4
SDAF 618	80.96	22318 CCK/W33	120.6	393.7	155.6	50.8	342.9	304.8	92.1	239.7	48.4	174.6	(4)-3/4	45.5	55.6
SDAF 620	87.31	22320 CCK/W33	133.4	419.1	174.6	57.2	368.3	336.6	104.8	266.7	51.6	187.3	(4)-7/8	59	61.9
SDAF 622	100.01	22322 CCK/W33	152.4	466.7	190.5	60.3	406.4	371.5	114.3	301.6	61.1	203.2	(4)-1	81.5	66.7
SDAF 624	106.36	22324 CCK/W33	160.3	539.8	200	63.5	463.6	431.8	120.6	319.1	61.1	212.7	(4)-1 1/8	97.5	71.4
SDAF 626	112.71	22326 CCK/W33	169.9	558.8	209.6	63.5	489	441.3	127	341.3	62.7	222.2	(4)-1 1/8	120	76.2
SDAF 628	125.41	22328 CCK/W33	179.4	628.6	228.6	63.5	549.3	492.1	139.7	362	65.1	238.1	(4)-1 1/4	150	82.6
SDAF 630	131.76	22330 CCK/W33	190.5	679.4	238.1	69.8	600.1	530.2	149.2	385.8	66.7	247.6	(4)-1 1/4	185	87.3
SDAF 632	138.11	22332 CCK/W33	200	701.7	254	76.2	596.9	546.1	158.8	406.4	69.1	269.9	(4)-1 3/8	205	92.1
SDAF 634	150.81	22334 CCK/W33	209.6	730.2	266.7	82.6	635	584.2	171.4	428.6	69.8	282.6	(4)-1 3/8	240	95.2
SDAF 636	163.51	22336 CCK/W33	225.4	774.7	273	82.6	669.9	612.8	174.6	455.6	77.8	288.9	(4)-1 1/2	285	100
SDAF 638	176.21	22338 CCK/W33	241.3	812.8	285.8	88.9	708	650.9	184.2	482.6	86.5	301.6	(4)-1 1/2	320	103.2
SDAF 640	182.56	22340 CCK/W33	250.8	850.9	298.4	88.9	743	676.3	193.7	501.6	88.1	314.3	(4)-1 5/8	365	108



SOFN Bearing Housings: Oil lubricated cast iron or steel bearing housing are suitable for spherical roller bearings running at high speed and high operating temperature. SOFN 200 and 300 series bearing housings are suitable for spherical roller bearings with cylindrical (straight) bore. SOFN 500 and 600 series bearing housing are suitable for spherical roller bearings with tapered bore and adapter sleeve mounting.

SOFN Bearing Housings are comprising of main body consisting of top and bottom housings, with labyrinth covers and collars, oil splash ring for splash lubricating system or oil inlet and outlet pipe fittings on either side of the housings in the labyrinth covers for oil circulatory system.

Oil level indicator supplied with the housings can be fitted into one of the four holes provided on the side covers. Oil level indicators are marked minimum and maximum oil level according to the quantity of oil required.

Cast Iron Housing



Cast Steel $\frac{S}{T}$
S.G.Iron $\frac{D}{D}$

Size Designation
For, Bearing With Adapter Sleeves
500 for Series-22200CCK + H
600 for Series-22300CCK + H
For, Bearing With Straight Bore
200 for Series-22200CC
300 for Series-22300CC

For, Through Shaft -B
For, End Shaft With End Cover -A

Housing For Fix Type (Located) Bearing -F
Housing For Loose Type (Non-Located/Floating) Bearing -L

SOFN 220 BL



SOFNS 522 AF

