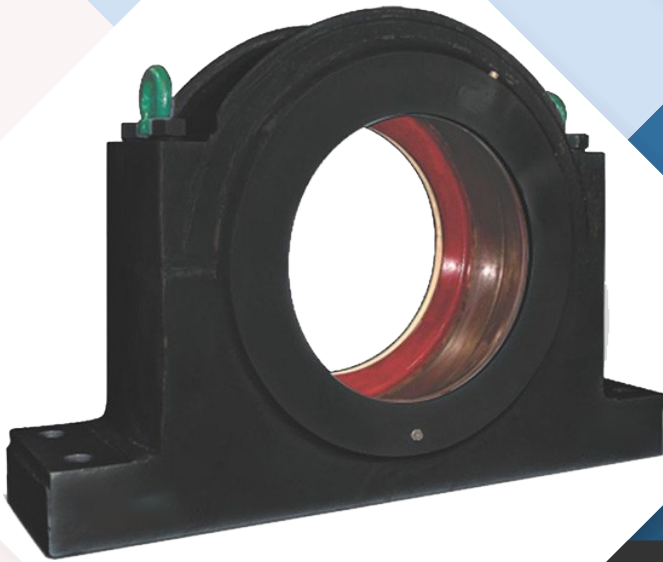




**HOWRAH NEWO TECHNOLOGY**



**SDG SERIES**



# ILLUSTRATION FOR SDG Series

## SDG

SDG type bearing housings are large heavy duty bearing housings. They are extremely reliable for heavy load application. They are widely used in mining industries, cement industries, rolling mill, crusher application and similar heavy duty applications.

### Type:-

SDG housings are split plummer block, having cover on one end side. They are suitable for spherical roller bearing. The bearing can be mounted on adapter sleeve or directly on the shaft. The housings can be supplied with end cover for closed shaft application as well as through shaft. SDG housings are available for locating and non-locating bearing arrangement.

The cover is inserted in groove provided at end of the housing bore. However for large bearing housings the cover can be bolted to the side face of the housings, such requirements must be specified while ordering. The housings feet (i.e. foundation) have machined pads at two sides so that housings can be mounted against stops and properly located after alignment.

The housings can be used for located and non-located bearing arrangement as well as "cross-located bearing" (two bearings each locating shaft in one direction only, the directions being opposite).

### Seals:-

SDG housings are supplied with labyrinth seals. Supplementary felt seals are provided at inboard side. To enhanced sealing efficiency supplementary V ring seal can be used. Suitable seals should be specified while ordering.

### Eye bolt:-

Two eye bolts are provided for easy handling of the housing.

### Materials:-

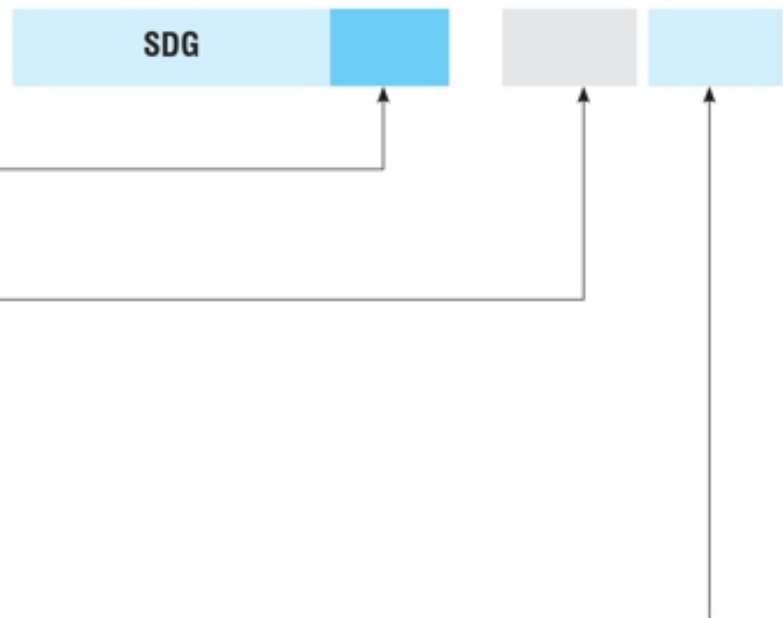
SBD housings can be supplied in following materials :-

- (1) Cast steel "SDGS"
- (2) High Grade grey cast iron "SDGC"
- (3) Spheroidal graphite iron (Ductile Iron) "SDGD"

|                            |   |
|----------------------------|---|
| Material: - grey cast iron | C |
| spheroidal graphite iron   | D |
| cast steel                 | S |

|  |           |
|--|-----------|
| Size designation according to suitable bearing no. | e.g. 2336 |
|--|-----------|

| Supplementary designations :-  |          |
|--|----------|
| Housings for bearing with adapter sleeve for plain cylindrical shaft   | Standard |
| Housings for bearing with adapter sleeve for stepped cylindrical shaft   | C        |
| Housings for bearing with withdrawal sleeve for stepped cylindrical shaft  | D        |
| Housings for bearing on stepped cylindrical shaft seating with felt and labyrinth seals                          | G        |
| Housings for bearing on stepped cylindrical shaft seating with felt seal(prepared for supplementary V-ring seal) | H        |
| Housings for shaft end, with end cover   | A        |
| Housings for through shaft   | B        |
| Housings for non-locating bearing  | L        |
| Housings for locating bearing  | F        |
| Housings for cross location  | P        |

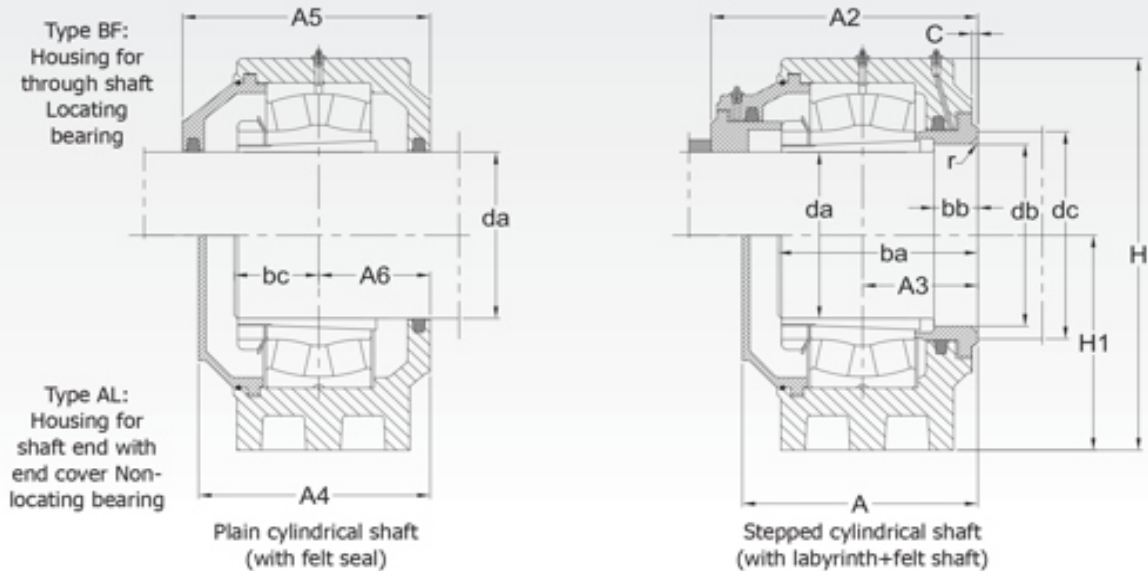


**Note:** It is important to specify the bearing housing requirement as-

- (1) **AL** Housings for shaft end, with end cover, for non-locating bearing.
- (2) **AF** Housings for shaft end, with end cover, for locating bearing.
- (3) **BL** Housings for through shaft, for non-locating bearing.
- (4) **BF** Housings for through shaft, for locating bearing.



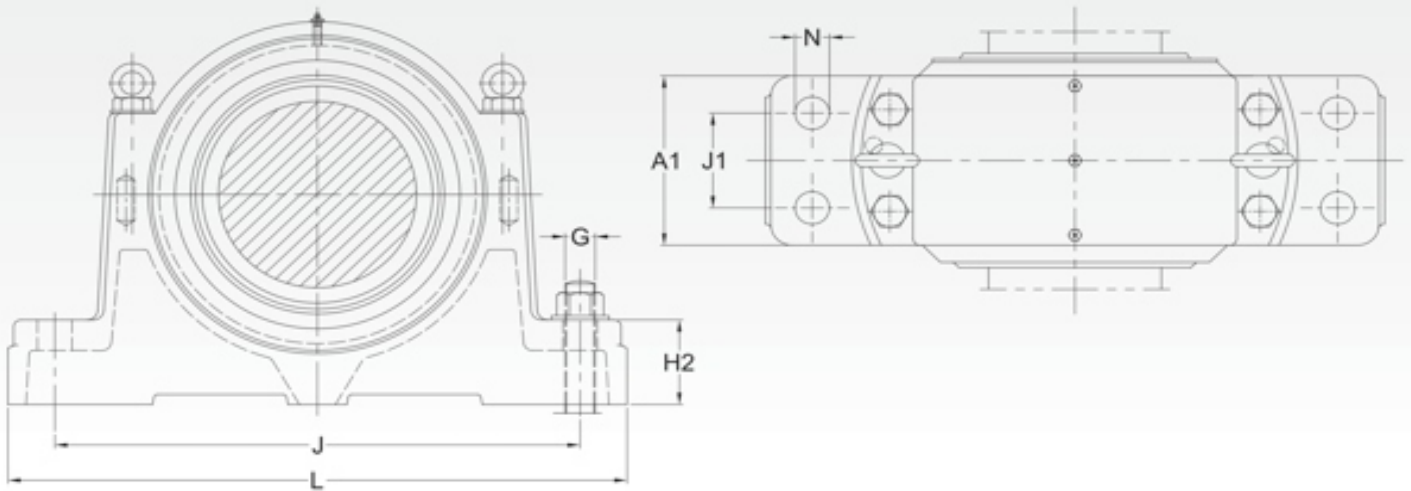
# SDG Plummer Block Housings For Spherical Roller Bearings With Adapter Sleeves



| Shaft dia<br>da<br>mm | Housing Dimensions (in mm) |     |     |     |     |     |     |    |     |     |     |     |     |     |    |    | Masses (Approx) |     | Designation #<br>Housing of Grey Cast Iron |
|-----------------------|----------------------------|-----|-----|-----|-----|-----|-----|----|-----|-----|-----|-----|-----|-----|----|----|-----------------|-----|--|
|                       | A                          | A1  | A2  | A3  | A4  | A5  | A6  | C  | H   | H1  | H2  | J   | J1  | L   | N  | G  | Housing type    |     |  |
|                       | A                          | B   |     |     |     |     |     |    |     |     |     |     |     |     |    |    |                 |     |  |
| 125                   | 222                        | 165 | 258 | 110 | 219 | 237 | 107 | 6  | 385 | 210 | 85  | 500 | 90  | 590 | 35 | 30 | 92              | 100 | SDGC 2328                                  |
| 135                   | 237                        | 180 | 272 | 117 | 234 | 251 | 114 | 6  | 410 | 225 | 90  | 510 | 100 | 600 | 35 | 30 | 110             | 120 | SDGC 2330                                  |
| 140                   | 253                        | 195 | 288 | 125 | 250 | 266 | 122 | 6  | 440 | 240 | 95  | 580 | 105 | 690 | 42 | 36 | 140             | 150 | SDGC 2332                                  |
| 150                   | 197                        | 140 | 232 | 97  | 194 | 212 | 94  | 6  | 387 | 210 | 85  | 490 | 70  | 580 | 28 | 24 | 72              | 80  | SDGC 2234                                  |
|                       | 222                        | 165 | 258 | 110 | 219 | 237 | 107 | 6  | 385 | 210 | 85  | 500 | 90  | 590 | 35 | 30 | 85              | 90  | SDGC 3234                                  |
|                       | 270                        | 210 | 315 | 135 | 265 | 285 | 130 | 8  | 475 | 260 | 105 | 610 | 120 | 720 | 42 | 36 | 180             | 195 | SDGC 2334                                  |
| 160                   | 222                        | 165 | 258 | 110 | 219 | 237 | 107 | 6  | 385 | 210 | 85  | 500 | 90  | 590 | 35 | 30 | 90              | 94  | SDGC 3136                                  |
|                       | 207                        | 150 | 242 | 102 | 204 | 221 | 99  | 6  | 424 | 230 | 90  | 520 | 80  | 600 | 28 | 24 | 98              | 110 | SDGC 2236                                  |
|                       | 237                        | 180 | 272 | 117 | 234 | 251 | 114 | 6  | 410 | 225 | 90  | 510 | 100 | 600 | 35 | 30 | 110             | 115 | SDGC 3236                                  |
|                       | 270                        | 210 | 315 | 135 | 265 | 285 | 130 | 8  | 475 | 260 | 105 | 610 | 120 | 720 | 42 | 36 | 165             | 180 | SDGC 2336                                  |
| 170                   | 237                        | 180 | 272 | 117 | 234 | 251 | 114 | 6  | 410 | 225 | 90  | 510 | 100 | 600 | 35 | 30 | 110             | 115 | SDGC 3138                                  |
|                       | 207                        | 150 | 242 | 102 | 204 | 221 | 99  | 6  | 424 | 230 | 90  | 520 | 80  | 600 | 28 | 24 | 103             | 115 | SDGC 2238                                  |
|                       | 253                        | 195 | 288 | 125 | 250 | 266 | 122 | 6  | 440 | 240 | 95  | 580 | 105 | 690 | 42 | 36 | 140             | 145 | SDGC 3238                                  |
|                       | 298                        | 225 | 336 | 146 | 293 | 311 | 141 | 8  | 515 | 280 | 115 | 655 | 130 | 770 | 42 | 36 | 225             | 240 | SDGC 2338                                  |
| 180                   | 197                        | 140 | 232 | 97  | 194 | 212 | 94  | 6  | 387 | 210 | 85  | 490 | 70  | 580 | 28 | 24 | 70              | 75  | SDGC 3040                                  |
|                       | 253                        | 195 | 288 | 125 | 250 | 266 | 122 | 6  | 440 | 240 | 95  | 580 | 105 | 690 | 42 | 36 | 140             | 145 | SDGC 3140                                  |
|                       | 220                        | 160 | 265 | 110 | 215 | 235 | 105 | 8  | 445 | 240 | 95  | 560 | 80  | 670 | 35 | 30 | 110             | 125 | SDGC 2240                                  |
|                       | 270                        | 210 | 315 | 135 | 265 | 285 | 130 | 8  | 475 | 260 | 105 | 610 | 120 | 720 | 42 | 36 | 180             | 190 | SDGC 3240                                  |
|                       | 328                        | 250 | 366 | 158 | 323 | 343 | 153 | 8  | 565 | 310 | 125 | 730 | 140 | 860 | 48 | 42 | 270             | 280 | SDGC 2340                                  |
| 200                   | 207                        | 150 | 242 | 102 | 204 | 221 | 99  | 6  | 424 | 230 | 90  | 520 | 80  | 600 | 28 | 24 | 82              | 92  | SDGC 3044                                  |
|                       | 270                        | 210 | 315 | 135 | 265 | 285 | 130 | 8  | 475 | 260 | 105 | 610 | 120 | 720 | 42 | 36 | 170             | 180 | SDGC 3144                                  |
|                       | 233                        | 160 | 270 | 113 | 228 | 246 | 108 | 8  | 500 | 270 | 110 | 620 | 80  | 710 | 35 | 30 | 135             | 155 | SDGC 2244                                  |
|                       | 298                        | 225 | 336 | 146 | 293 | 311 | 141 | 8  | 515 | 280 | 115 | 655 | 130 | 770 | 42 | 36 | 220             | 230 | SDGC 3244                                  |
|                       | 330                        | 250 | 370 | 160 | 323 | 343 | 153 | 10 | 585 | 320 | 130 | 750 | 145 | 880 | 48 | 42 | 315             | 330 | SDGC 2344                                  |
| 220                   | 220                        | 160 | 265 | 110 | 215 | 235 | 105 | 8  | 445 | 240 | 95  | 560 | 80  | 670 | 35 | 30 | 100             | 115 | SDGC 3048                                  |
|                       | 298                        | 225 | 336 | 146 | 293 | 311 | 141 | 8  | 515 | 280 | 115 | 655 | 130 | 770 | 42 | 36 | 215             | 228 | SDGC 3148                                  |
|                       | 270                        | 190 | 310 | 130 | 263 | 283 | 123 | 10 | 570 | 310 | 120 | 710 | 100 | 825 | 42 | 36 | 230             | 260 | SDGC 2248                                  |
|                       | 328                        | 250 | 366 | 158 | 323 | 343 | 153 | 8  | 565 | 310 | 125 | 730 | 140 | 860 | 48 | 42 | 295             | 310 | SDGC 3248                                  |
|                       | 360                        | 280 | 405 | 175 | 353 | 376 | 168 | 10 | 640 | 350 | 140 | 800 | 165 | 940 | 48 | 42 | 400             | 425 | SDGC 2348                                  |

# The designation denotes a housing for cylindrical shafts. A housing for stepped cylindrical shafts is designated by suffix C, e.g. SDGC 2328 C



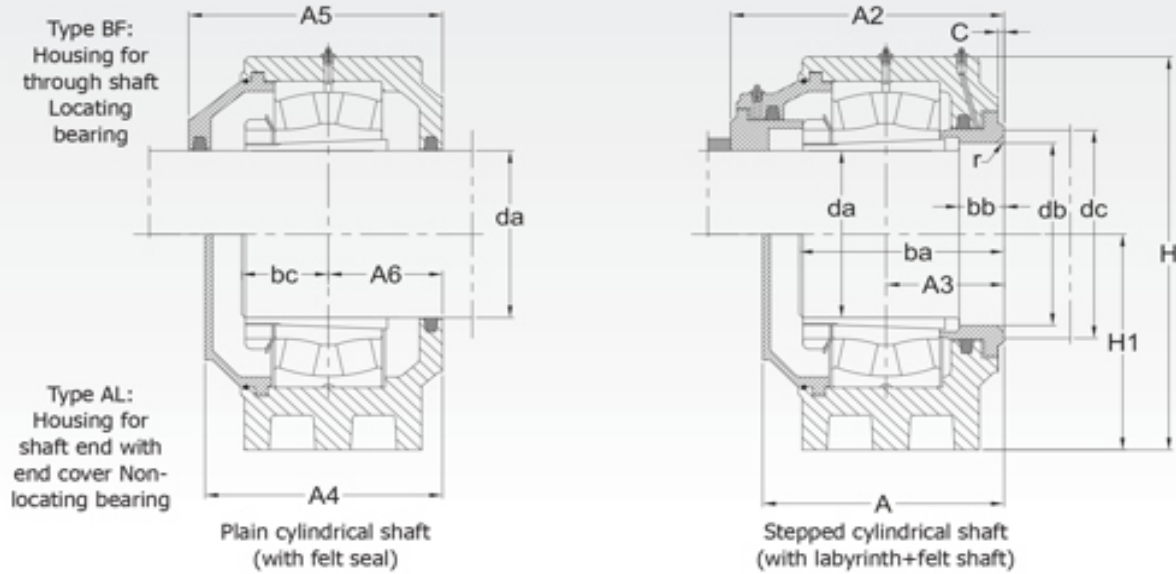


| Shaft dia<br>da<br>mm | Appropriate Bearings | Adapter sleeve | Shaft seating, abutment and fillet dimensions |             |     |     |     |     | Grease quantity<br>initial fill<br>kg | Bearing Dimension |       |
|-----------------------|----------------------|----------------|---|-------------|-----|-----|-----|-----|---------------------------------------|-------------------|-------|
|                       |                      |                | db @<br>mm                                    | dc<br>(min) | ba  | bb  | bc  | r   |                                       | Dia.              | Width |
| 125                   | 22328 CCK/W33        | H 2328         | 142   | 150         | 188 | 40  | 78  | 2.5 | 1.80                                  | 300               | 102   |
| 135                   | 22330 CCK/W33        | H 2330         | 152   | 160         | 200 | 44  | 83  | 2.5 | 2.30                                  | 320               | 108   |
| 140                   | 22332 CCK/W33        | H 2332         | 162   | 175         | 213 | 48  | 88  | 4   | 2.90                                  | 340               | 114   |
| 150                   | 22334 CCK/W33        | H 3134         | 172   | 185         | 172 | 38  | 75  | 4   | 1.40                                  | 310               | 86    |
|                       | 23234 CCK/W33        | H 2334         | 172   | 180         | 198 | 38  | 88  | 2.5 | 1.50                                  | 310               | 110   |
|                       | 22334 CCK/W33        | H 2334         | 172   | 185         | 228 | 52  | 93  | 4   | 3.20                                  | 360               | 120   |
| 160                   | 23136 CCK/W33        | H 3136         | 182   | 190         | 192 | 44  | 82  | 2.5 | 1.30                                  | 300               | 96    |
|                       | 22236 CCK/W33        | H 3136         | 182   | 195         | 179 | 40  | 77  | 4   | 1.70                                  | 320               | 86    |
|                       | 23236 CCK/W33        | H 2336         | 182   | 190         | 207 | 42  | 90  | 2.5 | 1.90                                  | 320               | 112   |
|                       | 22336 CCK/W33        | H 2336         | 182   | 195         | 232 | 50  | 97  | 4   | 3.50                                  | 380               | 126   |
| 170                   | 23138 CCK/W33        | H 3138         | 192   | 200         | 204 | 46  | 87  | 2.5 | 1.70                                  | 320               | 104   |
|                       | 22238 CCK/W33        | H 3138         | 192   | 205         | 183 | 40  | 81  | 4   | 1.80                                  | 340               | 92    |
|                       | 23238 CCK/W33        | H 2338         | 192   | 205         | 220 | 45  | 95  | 4   | 2.40                                  | 340               | 120   |
|                       | 22338 CCK/W33        | H 2338         | 192   | 205         | 247 | 56  | 101 | 4   | 4.50                                  | 400               | 132   |
| 180                   | 23040 CCK/W33        | H 3040         | 202   | 215         | 174 | 40  | 77  | 4   | 1.10                                  | 310               | 82    |
|                       | 23140 CCK/W33        | H 3140         | 202   | 215         | 217 | 48  | 92  | 4   | 2.20                                  | 340               | 112   |
|                       | 22240 CCK/W33        | H 3140         | 202   | 215         | 194 | 42  | 84  | 4   | 2.00                                  | 360               | 98    |
|                       | 23240 CCK/W33        | H 2340         | 202   | 215         | 235 | 50  | 100 | 4   | 2.70                                  | 360               | 128   |
|                       | 22340 CCK/W33        | H 2340         | 202   | 215         | 263 | 62  | 105 | 4   | 5.60                                  | 420               | 138   |
|                       | 200                  | 23044 CCK/W33  | OH 3044 H                                     | 222         | 235 | 182 | 40  | 80  | 4                                     | 1.40              | 340   |
| 23144 CCK/W33         |                      | OH 3144 H      | 222   | 235         | 235 | 52  | 100 | 4   | 2.60                                  | 370               | 120   |
| 22244 CCK/W33         |                      | OH 3144 H      | 222   | 235         | 207 | 42  | 94  | 4   | 2.40                                  | 400               | 108   |
| 23244 CCK/W33         |                      | OH 2344 H      | 222   | 235         | 258 | 52  | 112 | 4   | 4.00                                  | 400               | 144   |
| 22344 CCK/W33         |                      | OH 2344 H      | 222   | 235         | 272 | 62  | 112 | 4   | 6.00                                  | 460               | 145   |
| 220                   |                      | 23048 CCK/W33  | OH 3048 H                                     | 242         | 255 | 195 | 45  | 85  | 4                                     | 1.40              | 360   |
|                       | 23148 CCK/W33        | OH 3148 H      | 242   | 255         | 252 | 58  | 106 | 4   | 3.40                                  | 400               | 128   |
|                       | 22248 CCK/W33        | OH 3148 H      | 242   | 255         | 232 | 50  | 102 | 4   | 3.40                                  | 440               | 120   |
|                       | 23248 CCK/W33        | OH 2348 H      | 242   | 255         | 280 | 54  | 122 | 4   | 5.00                                  | 440               | 160   |
|                       | 22348 CCK/W33        | OH 2348 H      | 242   | 255         | 295 | 68  | 120 | 4   | 7.30                                  | 500               | 155   |



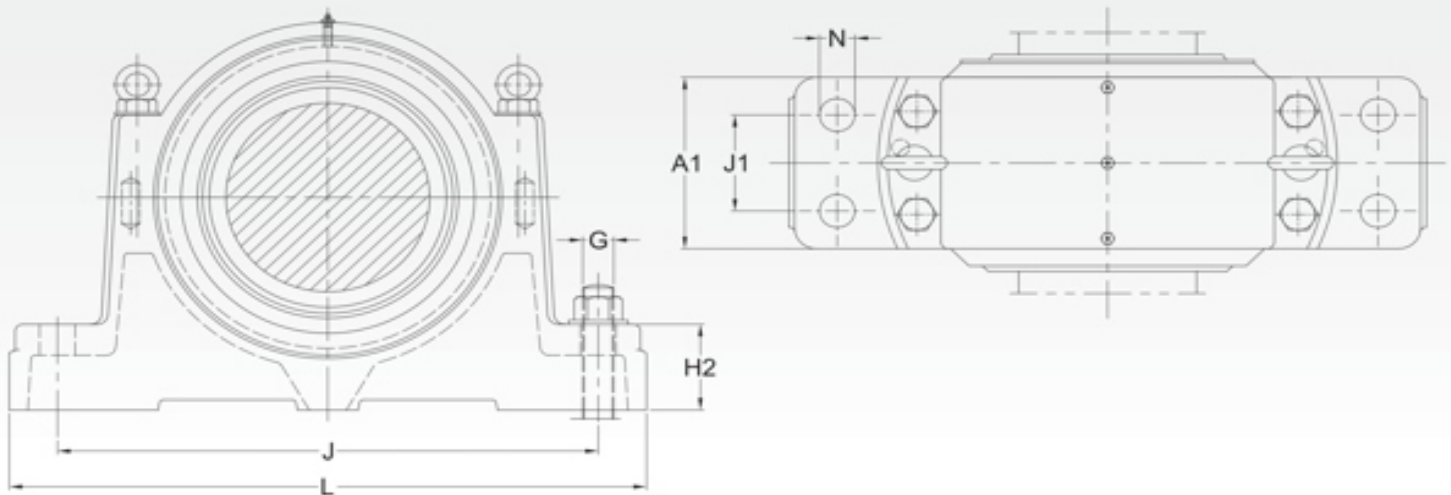


# SDG Plummer Block Housings For Spherical Roller Bearings With Adapter Sleeves



| Shaft dia-<br>da<br>mm | Housing Dimensions (in mm) |     |     |     |     |     |     |      |     |     |     |      |     |      |    |    | Masses (Approx)<br>Housing type |      | Designation #<br>Housing of Grey Cast Iron |
|------------------------|----------------------------|-----|-----|-----|-----|-----|-----|------|-----|-----|-----|------|-----|------|----|----|---------------------------------|------|--|
|                        | A                          | A1  | A2  | A3  | A4  | A5  | A6  | C    | H   | H1  | H2  | J    | J1  | L    | N  | G  | A                               | B    |  |
|                        | mm                         | mm  | mm  | mm  | mm  | mm  | mm  | mm   | mm  | mm  | mm  | mm   | mm  | mm   | mm | mm | kg                              | kg   |  |
| 240                    | 233                        | 160 | 270 | 113 | 228 | 246 | 108 | 8    | 500 | 270 | 110 | 620  | 80  | 710  | 35 | 30 | 130                             | 145  | SDGC 3052                                  |
|                        | 328                        | 250 | 366 | 158 | 323 | 343 | 153 | 8    | 565 | 310 | 125 | 730  | 140 | 860  | 48 | 42 | 290                             | 300  | SDGC 3152                                  |
|                        | 280                        | 200 | 320 | 135 | 273 | 293 | 128 | 10   | 592 | 320 | 130 | 735  | 105 | 855  | 42 | 36 | 230                             | 265  | SDGC 2252                                  |
|                        | 330                        | 250 | 370 | 160 | 323 | 343 | 153 | 10   | 585 | 320 | 130 | 750  | 145 | 880  | 48 | 42 | 280                             | 300  | SDGC 3252                                  |
|                        | 384                        | 305 | 428 | 186 | 377 | 399 | 179 | 10   | 695 | 380 | 155 | 900  | 170 | 1060 | 56 | 48 | 530                             | 560  | SDGC 2352                                  |
| 260                    | 244                        | 165 | 282 | 116 | 239 | 261 | 111 | 8.5  | 520 | 280 | 115 | 635  | 80  | 730  | 35 | 30 | 140                             | 155  | SDGC 3056                                  |
|                        | 330                        | 250 | 370 | 160 | 323 | 343 | 153 | 10   | 585 | 320 | 130 | 750  | 145 | 880  | 48 | 42 | 305                             | 315  | SDGC 3156                                  |
|                        | 290                        | 210 | 335 | 140 | 283 | 306 | 133 | 10   | 646 | 350 | 140 | 780  | 110 | 900  | 42 | 36 | 310                             | 345  | SDGC 2256                                  |
|                        | 360                        | 280 | 405 | 175 | 353 | 376 | 168 | 10   | 640 | 350 | 140 | 800  | 165 | 940  | 48 | 42 | 395                             | 415  | SDGC 3256                                  |
|                        | 420                        | 340 | 465 | 200 | 412 | 432 | 192 | 11   | 750 | 410 | 165 | 940  | 195 | 1110 | 56 | 48 | 650                             | 690  | SDGC 2356                                  |
| 280                    | 270                        | 190 | 310 | 130 | 263 | 283 | 123 | 10   | 570 | 310 | 120 | 710  | 100 | 825  | 42 | 36 | 200                             | 220  | SDGC 3060                                  |
|                        | 360                        | 280 | 405 | 175 | 353 | 376 | 168 | 10   | 640 | 350 | 140 | 800  | 165 | 940  | 48 | 42 | 390                             | 410  | SDGC 3160                                  |
|                        | 299                        | 220 | 344 | 144 | 292 | 314 | 137 | 10.5 | 665 | 360 | 145 | 840  | 110 | 970  | 48 | 42 | 340                             | 360  | SDGC 2260                                  |
|                        | 384                        | 305 | 428 | 186 | 377 | 399 | 179 | 10   | 695 | 380 | 155 | 900  | 170 | 1060 | 56 | 48 | 520                             | 545  | SDGC 3260                                  |
| 300                    | 280                        | 200 | 320 | 135 | 273 | 293 | 128 | 10   | 592 | 320 | 130 | 735  | 105 | 855  | 42 | 36 | 220                             | 240  | SDGC 3064                                  |
|                        | 384                        | 305 | 428 | 186 | 377 | 399 | 179 | 10   | 695 | 380 | 155 | 900  | 170 | 1060 | 56 | 48 | 520                             | 540  | SDGC 3164                                  |
|                        | 320                        | 240 | 365 | 150 | 312 | 332 | 142 | 11   | 740 | 400 | 160 | 920  | 120 | 1060 | 56 | 48 | 475                             | 500  | SDGC 2264                                  |
|                        | 420                        | 340 | 465 | 200 | 412 | 432 | 192 | 11   | 750 | 410 | 165 | 940  | 195 | 1110 | 56 | 48 | 640                             | 670  | SDGC 3264                                  |
| 320                    | 290                        | 210 | 335 | 140 | 283 | 306 | 133 | 10   | 646 | 350 | 140 | 780  | 110 | 900  | 42 | 36 | 280                             | 300  | SDGC 3068                                  |
|                        | 420                        | 340 | 465 | 200 | 412 | 432 | 192 | 11   | 750 | 410 | 165 | 940  | 195 | 1110 | 56 | 48 | 630                             | 665  | SDGC 3168                                  |
|                        | 425                        | 340 | 468 | 200 | 418 | 438 | 193 | 11   | 790 | 430 | 175 | 1010 | 195 | 1190 | 66 | 56 | 740                             | 770  | SDGC 3268                                  |
| 340                    | 299                        | 220 | 344 | 144 | 292 | 314 | 137 | 10.5 | 665 | 360 | 145 | 840  | 110 | 970  | 48 | 42 | 320                             | 340  | SDGC 3072                                  |
|                        | 420                        | 340 | 465 | 200 | 412 | 432 | 192 | 11   | 750 | 410 | 165 | 940  | 195 | 1110 | 56 | 48 | 610                             | 625  | SDGC 3172                                  |
|                        | 437                        | 350 | 490 | 207 | 429 | 449 | 199 | 12   | 825 | 450 | 180 | 1040 | 200 | 1230 | 66 | 56 | 850                             | 880  | SDGC 3272                                  |
| 360                    | 309                        | 230 | 354 | 149 | 302 | 324 | 142 | 10.5 | 685 | 370 | 150 | 870  | 110 | 1000 | 48 | 42 | 340                             | 360  | SDGC 3076                                  |
|                        | 425                        | 340 | 468 | 200 | 418 | 438 | 193 | 11   | 790 | 430 | 175 | 1010 | 195 | 1190 | 66 | 56 | 730                             | 755  | SDGC 3176                                  |
|                        | 479                        | 390 | 534 | 229 | 469 | 487 | 219 | 14   | 895 | 490 | 200 | 1110 | 225 | 1300 | 66 | 56 | 1100                            | 1150 | SDGC 3276                                  |
| 380                    | 320                        | 240 | 365 | 150 | 312 | 332 | 142 | 11   | 740 | 400 | 160 | 920  | 120 | 1060 | 56 | 48 | 435                             | 460  | SDGC 3080                                  |
|                        | 437                        | 350 | 490 | 207 | 429 | 449 | 199 | 12   | 825 | 450 | 180 | 1040 | 200 | 1230 | 66 | 56 | 840                             | 865  | SDGC 3180                                  |
|                        | 484                        | 390 | 544 | 229 | 474 | 489 | 219 | 14   | 945 | 500 | 150 | 1160 | 225 | 1370 | 74 | 64 | 1050                            | 1050 | SDGC 3280                                  |

# The designation denotes a housing for cylindrical shafts. A housing for stepped cylindrical shafts is designated by suffix C, e.g. SDGC 2328 C

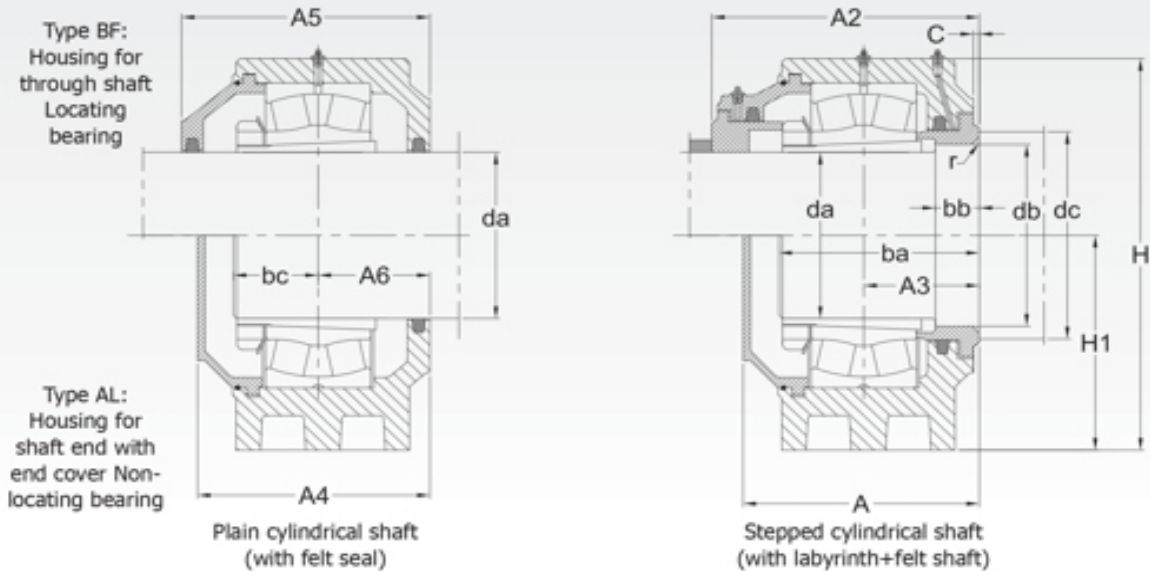


| Shaft dia<br>da<br>mm | Appropriate Bearing | Adapter sleeve | Shaft seating, abutment and fillet dimensions |             |     |    |     |   | Grease quantity<br>initial fill<br>kg | Bearing Dimension |       |
|-----------------------|---------------------|----------------|---|-------------|-----|----|-----|---|---------------------------------------|-------------------|-------|
|                       |                     |                | db @<br>mm                                    | dc<br>(min) | ba  | bb | bc  | r |                                       | Dia.              | Width |
| 240                   | 23052 CCK/W33       | OH 3052 H      | 262   | 275         | 204 | 45 | 91  | 4 | 1.80                                  | 400               | 104   |
|                       | 23152 CCK/W33       | OH 3152 H      | 262   | 275         | 274 | 60 | 116 | 4 | 4.60                                  | 440               | 144   |
|                       | 22252 CACK/W33      | OH 3152 H      | 262   | 275         | 244 | 50 | 109 | 4 | 4.40                                  | 480               | 130   |
|                       | 23252 CACK/W33      | OH 2352 H      | 262   | 275         | 291 | 52 | 130 | 4 | 5.90                                  | 480               | 174   |
|                       | 22352 CCK/W33       | OH 2352 H      | 262   | 275         | 312 | 72 | 126 | 4 | 9.70                                  | 540               | 165   |
| 260                   | 23056 CCK/W33       | OH 3056 H      | 282   | 295         | 212 | 45 | 96  | 4 | 1.90                                  | 420               | 106   |
|                       | 23156 CCK/W33       | OH 3156 H      | 282   | 295         | 279 | 60 | 119 | 4 | 4.70                                  | 460               | 146   |
|                       | 22256 CACK/W33      | OH 3156 H      | 282   | 295         | 251 | 52 | 111 | 4 | 4.40                                  | 500               | 130   |
|                       | 23256 CACK/W33      | OH 2356 H      | 282   | 295         | 309 | 60 | 134 | 4 | 6.80                                  | 500               | 176   |
|                       | 22356 CCK/W33       | OH 2356 H      | 282   | 295         | 334 | 80 | 134 | 6 | 12.50                                 | 580               | 175   |
| 280                   | 23060 CCK/W33       | OH 3060 H      | 302   | 315         | 236 | 50 | 106 | 4 | 3.20                                  | 460               | 118   |
|                       | 23160 CCK/W33       | OH 3160 H      | 302   | 315         | 300 | 68 | 125 | 4 | 6.60                                  | 500               | 160   |
|                       | 22260 CACK/W33      | OH 3160 H      | 302   | 315         | 259 | 52 | 115 | 4 | 5.40                                  | 540               | 140   |
|                       | 23260 CACK/W33      | OH 3260 H      | 302   | 315         | 327 | 64 | 141 | 4 | 9.40                                  | 540               | 192   |
| 300                   | 23064 CCK/W33       | OH 3064 H      | 322   | 340         | 243 | 50 | 108 | 6 | 3.50                                  | 480               | 121   |
|                       | 23164 CCK/W33       | OH 3164 H      | 322   | 340         | 321 | 68 | 135 | 6 | 8.60                                  | 500               | 160   |
|                       | 22264 CACK/W33      | OH 3164 H      | 322   | 340         | 272 | 52 | 122 | 6 | 7.60                                  | 580               | 150   |
|                       | 23264 CACK/W33      | OH 3264 H      | 322   | 340         | 351 | 68 | 151 | 6 | 12.50                                 | 580               | 208   |
| 320                   | 23068 CCK/W33       | OH 3068 H      | 342   | 360         | 257 | 50 | 117 | 6 | 3.70                                  | 520               | 133   |
|                       | 23168 CCK/W33       | OH 3168 H      | 342   | 360         | 355 | 74 | 155 | 6 | 11.20                                 | 580               | 190   |
|                       | 23268 CAK/W33       | OH 3268 H      | 342   | 360         | 372 | 62 | 172 | 6 | 14.00                                 | 620               | 224   |
| 340                   | 23072 CCK/W33       | OH 3072 H      | 362   | 380         | 262 | 50 | 118 | 6 | 4.30                                  | 540               | 134   |
|                       | 23172 CACK/W33      | OH 3172 H      | 362   | 380         | 360 | 74 | 160 | 6 | 11.50                                 | 600               | 192   |
|                       | 23272 CAK/W33       | OH 3272 H      | 362   | 380         | 387 | 64 | 180 | 6 | 14.50                                 | 650               | 232   |
| 360                   | 23076 CCK/W33       | OH 3076 H      | 382   | 400         | 270 | 54 | 121 | 6 | 5.10                                  | 560               | 135   |
|                       | 23176 CAK/W33       | OH 3176 H      | 382   | 400         | 363 | 74 | 163 | 6 | 12.00                                 | 620               | 194   |
|                       | 23276 CAK/W33       | OH 3276 H      | 382   | 400         | 415 | 76 | 186 | 6 | 19.00                                 | 680               | 240   |
| 380                   | 23080 CACK/W33      | OH 3080 H      | 402   | 420         | 282 | 55 | 132 | 6 | 5.60                                  | 600               | 148   |
|                       | 23180 CAK/W33       | OH 3180 H      | 402   | 420         | 375 | 75 | 168 | 6 | 12.50                                 | 650               | 200   |
|                       | 23280 CAK/W33       | OH 3280 H      | 402   | 420         | 425 | 76 | 196 | 6 | 20.50                                 | 720               | 256   |





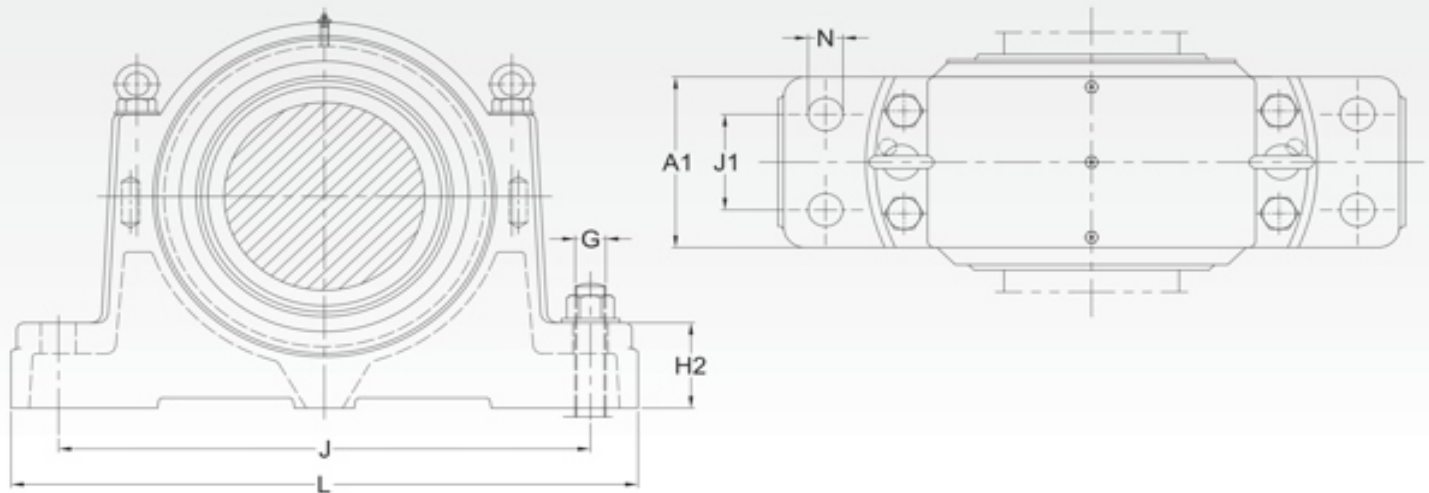
# SDG Plummer Block Housings For Spherical Roller Bearings With Adapter Sleeves



| Shaft dia<br>da<br>mm | Housing Dimensions (in mm) |     |     |     |     |     |     |    |      |     |     |      |     |      |    |      | Masses (Approx) |      | Designation #<br>Housing of Grey Cast Iron |
|-----------------------|----------------------------|-----|-----|-----|-----|-----|-----|----|------|-----|-----|------|-----|------|----|------|-----------------|------|--|
|                       | A                          | A1  | A2  | A3  | A4  | A5  | A6  | C  | H    | H1  | H2  | J    | J1  | L    | N  | G    | Housing type    |      |  |
|                       | mm                         | mm  | mm  | mm  | mm  | mm  | mm  | mm | mm   | mm  | mm  | mm   | mm  | mm   | mm | mm   | mm              | A kg |  |
| 400                   | 325                        | 240 | 368 | 150 | 318 | 338 | 143 | 11 | 760  | 410 | 165 | 960  | 120 | 1130 | 56 | 48   | 450             | 475  | SDGC 3084                                  |
|                       | 470                        | 390 | 534 | 229 | 469 | 487 | 219 | 14 | 895  | 490 | 200 | 1110 | 225 | 1300 | 66 | 56   | 1100            | 1100 | SDGC 3184                                  |
|                       | 508                        | 420 | 575 | 243 | 496 | 511 | 231 | 16 | 1005 | 530 | 160 | 1270 | 240 | 1500 | 82 | 72x6 | 1300            | 1300 | SDGC 3284                                  |
| 410                   | 347                        | 260 | 400 | 162 | 339 | 359 | 154 | 12 | 800  | 430 | 170 | 1000 | 130 | 1160 | 56 | 48   | 500             | 540  | SDGC 3088                                  |
|                       | 484                        | 390 | 544 | 229 | 474 | 489 | 219 | 14 | 945  | 500 | 150 | 1160 | 225 | 1370 | 74 | 64   | 1050            | 1050 | SDGC 3188                                  |
|                       | 518                        | 430 | 585 | 248 | 506 | 522 | 236 | 16 | 1045 | 550 | 165 | 1300 | 245 | 1530 | 82 | 72x6 | 1400            | 1400 | SDGC 3288                                  |
| 430                   | 369                        | 280 | 424 | 174 | 359 | 377 | 164 | 14 | 835  | 450 | 180 | 1070 | 130 | 1250 | 66 | 56   | 650             | 680  | SDGC 3092                                  |
|                       | 508                        | 420 | 575 | 243 | 496 | 511 | 231 | 16 | 1005 | 530 | 160 | 1270 | 240 | 1500 | 82 | 72x6 | 1300            | 1300 | SDGC 3192                                  |
|                       | 558                        | 460 | 623 | 263 | 546 | 561 | 251 | 16 | 1095 | 580 | 175 | 1350 | 260 | 1580 | 82 | 72x6 | 1650            | 1650 | SDGC 3292                                  |
| 450                   | 379                        | 290 | 434 | 179 | 369 | 387 | 169 | 14 | 855  | 460 | 185 | 1080 | 140 | 1260 | 66 | 56   | 700             | 730  | SDGC 3096                                  |
|                       | 518                        | 430 | 585 | 248 | 506 | 522 | 236 | 16 | 1045 | 550 | 165 | 1300 | 245 | 1530 | 82 | 72x6 | 1400            | 1400 | SDGC 3196                                  |
|                       | 560                        | 470 | 625 | 270 | 546 | 561 | 256 | 18 | 1130 | 600 | 180 | 1390 | 270 | 1620 | 82 | 72x6 | 1750            | 1800 | SDGC 3296                                  |
| 470                   | 384                        | 290 | 444 | 179 | 374 | 389 | 169 | 14 | 865  | 460 | 190 | 1100 | 140 | 1280 | 66 | 56   | 720             | 750  | SDGC 30/500                                |
|                       | 558                        | 460 | 623 | 263 | 546 | 561 | 251 | 16 | 1095 | 580 | 175 | 1350 | 260 | 1580 | 82 | 72x6 | 1650            | 1700 | SDGC 31/500                                |
|                       | 605                        | 500 | 660 | 285 | 591 | 596 | 271 | 18 | 1190 | 640 | 190 | 1420 | 300 | 1680 | 82 | 72x6 | 2050            | 2100 | SDGC 32/500                                |
| 500                   | 428                        | 430 | 495 | 203 | 416 | 431 | 191 | 16 | 1045 | 550 | 165 | 1300 | 245 | 1530 | 82 | 72x6 | 1250            | 1300 | SDGC 30/530                                |
|                       | 560                        | 470 | 625 | 270 | 546 | 561 | 256 | 18 | 1130 | 600 | 180 | 1390 | 270 | 1620 | 82 | 72x6 | 1800            | 1800 | SDGC 31/530                                |
| 530                   | 438                        | 460 | 503 | 203 | 426 | 441 | 191 | 16 | 1095 | 580 | 175 | 1350 | 260 | 1580 | 82 | 72x6 | 1450            | 1500 | SDGC 30/560                                |
|                       | 605                        | 500 | 660 | 285 | 591 | 596 | 271 | 18 | 1190 | 640 | 190 | 1420 | 300 | 1680 | 82 | 72x6 | 2100            | 2150 | SDGC 31/560                                |

# The designation denotes a housing for cylindrical shafts. A housing for stepped cylindrical shafts is designated by suffix C, e.g. SDGC 2328 C





| Shaft dia<br>da<br>mm | Appropriate Bearing | Adapter sleeve | Shaft seating, abutment and fillet dimensions |          |     |     |     |    | Grease quantity initial fill<br>kg | Bearing Dimension |       |
|-----------------------|---------------------|----------------|---|----------|-----|-----|-----|----|------------------------------------|-------------------|-------|
|                       |                     |                | db @ mm                                       | dc (min) | ba  | bb  | bc  | r  |                                    | Dia.              | Width |
| 400                   | 23084 CAK/W33       | OH 3084 H      | 422   | 440      | 283 | 55  | 133 | 6  | 6.20                               | 620               | 150   |
|                       | 23184 CK/W33        | OH 3184 H      | 422   | 440      | 417 | 82  | 188 | 6  | 17.50                              | 700               | 224   |
|                       | 23284 CAK/W33       | OH 3284 H      | 422   | 440      | 455 | 76  | 212 | 6  | 25.00                              | 760               | 272   |
| 410                   | 23088 CAK/W33       | OH 3088 H      | 442   | 460      | 307 | 55  | 145 | 6  | 7.30                               | 650               | 157   |
|                       | 23188 CAK/W33       | OH 3188 H      | 442   | 460      | 418 | 82  | 189 | 6  | 19.00                              | 720               | 226   |
|                       | 23288 CAK/W33       | OH 3288 H      | 442   | 460      | 464 | 76  | 216 | 6  | 27.50                              | 790               | 280   |
| 430                   | 23092 CAK/W33       | OH 3092 H      | 462   | 480      | 322 | 60  | 148 | 6  | 8.70                               | 680               | 163   |
|                       | 23192 CAK/W33       | OH 3192 H      | 462   | 480      | 444 | 86  | 201 | 6  | 21.50                              | 760               | 240   |
|                       | 23292 CAK/W33       | OH 3292 H      | 462   | 480      | 492 | 80  | 229 | 6  | 31.50                              | 830               | 296   |
| 450                   | 23096 CAK/W33       | OH 3096 H      | 482   | 500      | 327 | 66  | 148 | 6  | 9.30                               | 700               | 165   |
|                       | 23196 CAK/W33       | OH 3196 H      | 482   | 500      | 453 | 87  | 205 | 6  | 24.50                              | 790               | 248   |
|                       | 23296 CAK/W33       | OH 3296 H      | 482   | 500      | 506 | 80  | 236 | 6  | 36.50                              | 870               | 310   |
| 470                   | 230/500 CAK/W33     | OH 30/500 H    | 502   | 520      | 336 | 64  | 157 | 6  | 9.70                               | 720               | 167   |
|                       | 231/500 CAK/W33     | OH 31/500 H    | 502   | 520      | 481 | 92  | 218 | 6  | 27.50                              | 830               | 264   |
|                       | 232/500 CAK/W33     | OH 32/500 H    | 502   | 520      | 539 | 82  | 254 | 6  | 43.00                              |                   |       |
| 500                   | 230/530 CAK/W33     | OH 30/530 H    | 532   | 550      | 370 | 75  | 167 | 6  | 15.50                              | 780               | 185   |
|                       | 231/530 CAK/W33     | OH 31/530 H    | 532   | 550      | 492 | 94  | 222 | 6  | 32.00                              | 870               | 272   |
| 530                   | 230/560 CAK/W33     | OH 30/560 H    | 562   | 590      | 382 | 75  | 179 | 10 | 15.50                              | 820               | 195   |
|                       | 231/560 CAK/W33     | OH 31/560 H    | 562   | 590      | 517 | 100 | 232 | 10 | 39.00                              | 920               | 280   |

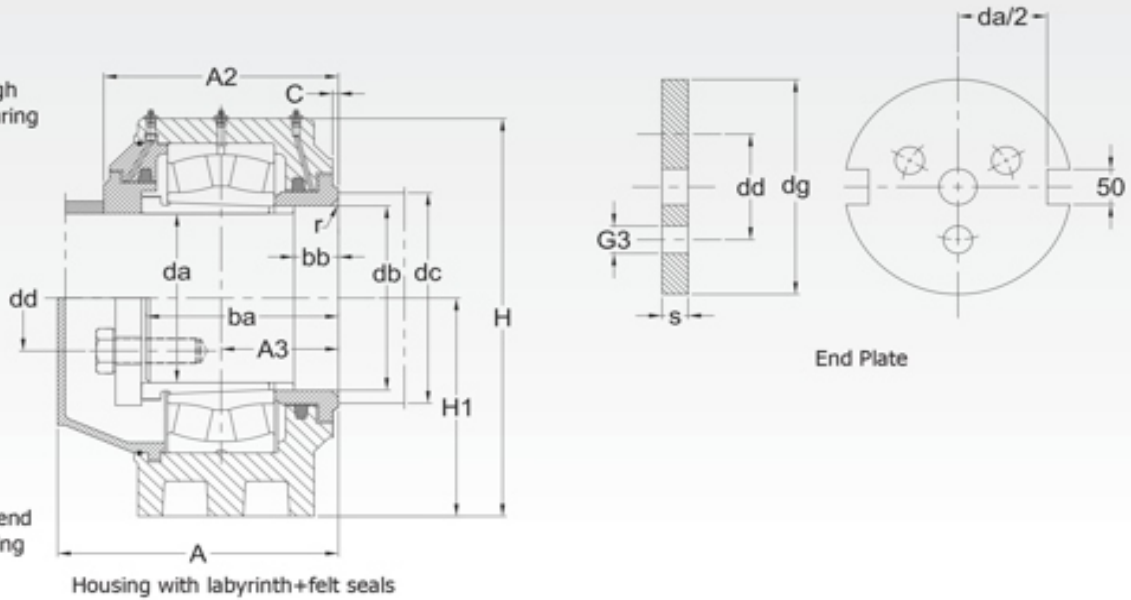
@ The tolerance for db should be h6



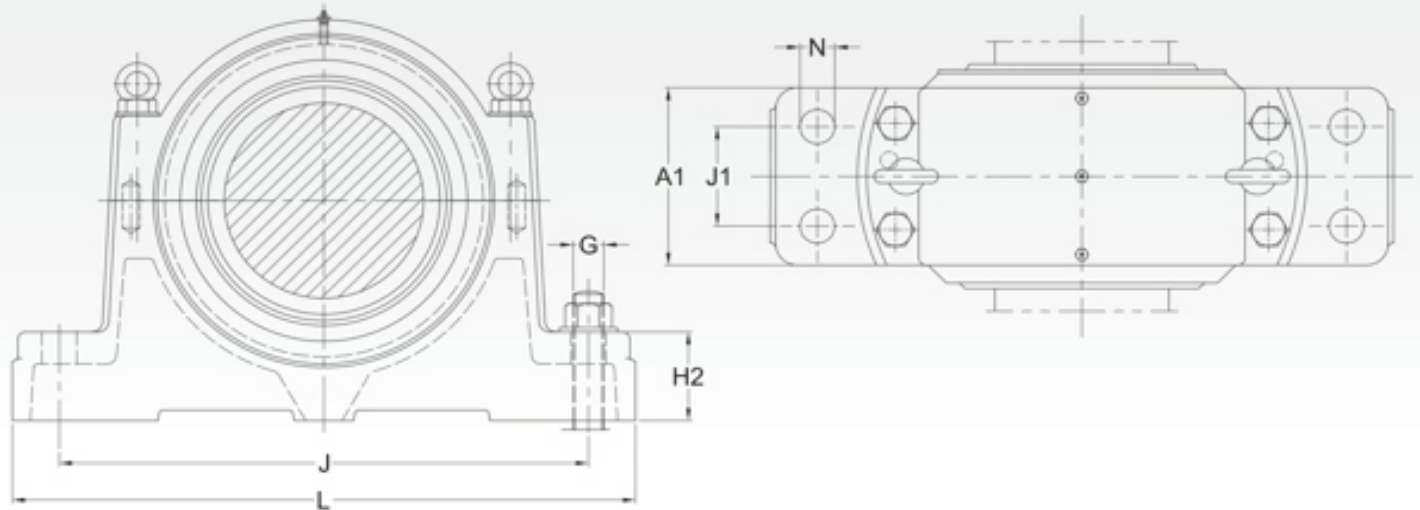
# SDG Plummer Block Housings For Spherical Roller Bearings With Withdrawal Sleeves (TYPE: D)

Type BF:  
Housing for through  
shaft Locating bearing

Type AL:  
Housing for shaft end  
Non-locating bearing



| Shaft dia<br>da<br>mm | Housing Dimensions (in mm) |     |     |     |    |     |     |     |     |     |     |    |    | Masses (Approx)<br>Housing type |     | Designation<br>Housing of<br>Grey Cast Iron |
|-----------------------|----------------------------|-----|-----|-----|----|-----|-----|-----|-----|-----|-----|----|----|---------------------------------|-----|---|
|                       | A                          | A1  | A2  | A3  | C  | H   | H1  | H2  | J   | J1  | L   | N  | G  | A<br>kg                         | B   |   |
| 135                   | 260                        | 165 | 220 | 110 | 6  | 385 | 210 | 85  | 500 | 90  | 590 | 35 | 30 | 95                              | 100 | SDGC 2328 D                                 |
| 145                   | 282                        | 180 | 234 | 117 | 6  | 410 | 225 | 90  | 510 | 100 | 600 | 35 | 30 | 115                             | 120 | SDGC 2330 D                                 |
| 150                   | 297                        | 195 | 250 | 125 | 6  | 440 | 240 | 95  | 580 | 105 | 690 | 42 | 36 | 145                             | 150 | SDGC 2332 D                                 |
| 160                   | 234                        | 140 | 194 | 97  | 6  | 387 | 210 | 85  | 490 | 70  | 580 | 28 | 24 | 74                              | 80  | SDGC 2234 D                                 |
|                       | 260                        | 165 | 220 | 110 | 6  | 385 | 210 | 85  | 500 | 90  | 590 | 35 | 30 | 88                              | 90  | SDGC 3234 D                                 |
|                       | 320                        | 210 | 270 | 135 | 8  | 475 | 260 | 105 | 610 | 120 | 720 | 42 | 36 | 185                             | 195 | SDGC 2334 D                                 |
| 170                   | 260                        | 165 | 220 | 110 | 6  | 385 | 210 | 85  | 500 | 90  | 590 | 35 | 30 | 92                              | 94  | SDGC 3136 D                                 |
|                       | 260                        | 165 | 220 | 110 | 6  | 385 | 210 | 85  | 500 | 90  | 590 | 35 | 30 | 93                              | 95  | SDGC 4136 D                                 |
|                       | 252                        | 150 | 204 | 102 | 6  | 424 | 230 | 90  | 520 | 80  | 600 | 28 | 24 | 100                             | 110 | SDGC 2236 D                                 |
|                       | 282                        | 180 | 234 | 117 | 6  | 410 | 225 | 90  | 510 | 100 | 600 | 35 | 30 | 115                             | 115 | SDGC 3236 D                                 |
|                       | 320                        | 210 | 270 | 135 | 8  | 475 | 260 | 105 | 610 | 120 | 720 | 42 | 36 | 170                             | 180 | SDGC 2336 D                                 |
| 180                   | 282                        | 180 | 234 | 117 | 6  | 410 | 225 | 90  | 510 | 100 | 600 | 35 | 30 | 115                             | 115 | SDGC 3138 D                                 |
|                       | 282                        | 180 | 234 | 117 | 6  | 410 | 225 | 90  | 510 | 100 | 600 | 35 | 30 | 115                             | 115 | SDGC 4138 D                                 |
|                       | 252                        | 150 | 204 | 102 | 6  | 424 | 230 | 90  | 520 | 80  | 600 | 28 | 24 | 88                              | 100 | SDGC 2238 D                                 |
|                       | 297                        | 195 | 250 | 125 | 6  | 440 | 240 | 95  | 580 | 105 | 690 | 42 | 36 | 145                             | 145 | SDGC 3238 D                                 |
|                       | 346                        | 225 | 292 | 146 | 8  | 515 | 280 | 115 | 655 | 130 | 770 | 42 | 36 | 230                             | 240 | SDGC 2338 D                                 |
| 190                   | 234                        | 140 | 194 | 97  | 6  | 387 | 210 | 85  | 490 | 70  | 580 | 28 | 24 | 72                              | 75  | SDGC 3040 D                                 |
|                       | 260                        | 165 | 220 | 110 | 6  | 385 | 210 | 85  | 500 | 90  | 590 | 35 | 30 | 84                              | 85  | SDGC 4040 D                                 |
|                       | 297                        | 195 | 250 | 125 | 6  | 440 | 240 | 95  | 580 | 105 | 690 | 42 | 36 | 145                             | 145 | SDGC 3140 D                                 |
|                       | 297                        | 195 | 250 | 125 | 6  | 440 | 240 | 95  | 580 | 105 | 690 | 42 | 36 | 145                             | 145 | SDGC 4140 D                                 |
|                       | 270                        | 160 | 220 | 110 | 8  | 445 | 240 | 95  | 560 | 80  | 670 | 35 | 30 | 110                             | 125 | SDGC 2240 D                                 |
|                       | 320                        | 210 | 270 | 135 | 8  | 475 | 260 | 105 | 610 | 120 | 720 | 42 | 36 | 185                             | 190 | SDGC 3240 D                                 |
|                       | 378                        | 250 | 316 | 158 | 8  | 565 | 310 | 125 | 730 | 140 | 860 | 48 | 42 | 280                             | 280 | SDGC 2340 D                                 |
| 200                   | 252                        | 150 | 204 | 102 | 6  | 424 | 230 | 90  | 520 | 80  | 600 | 28 | 24 | 85                              | 92  | SDGC 3044 D                                 |
|                       | 297                        | 195 | 250 | 125 | 6  | 440 | 240 | 95  | 580 | 105 | 690 | 42 | 36 | 140                             | 140 | SDGC 4044 D                                 |
|                       | 320                        | 210 | 270 | 135 | 8  | 475 | 260 | 105 | 610 | 120 | 720 | 42 | 36 | 175                             | 180 | SDGC 3144 D                                 |
|                       | 320                        | 210 | 270 | 135 | 8  | 475 | 260 | 105 | 610 | 120 | 720 | 42 | 36 | 175                             | 180 | SDGC 4144 D                                 |
|                       | 280                        | 160 | 226 | 113 | 8  | 500 | 270 | 110 | 620 | 80  | 710 | 35 | 30 | 140                             | 155 | SDGC 2244 D                                 |
|                       | 346                        | 225 | 292 | 146 | 8  | 515 | 280 | 115 | 655 | 130 | 770 | 42 | 36 | 225                             | 230 | SDGC 3244 D                                 |
|                       | 380                        | 250 | 320 | 160 | 10 | 585 | 320 | 130 | 750 | 145 | 880 | 48 | 42 | 325                             | 330 | SDGC 2344 D                                 |



| Shaft dia<br>da<br>mm | Appropriate Bearing | Withdrawal sleeve | Shaft seating, abutment and fillet dimensions |             |     |     |     |     | End plate Dimensions |     |    | Attachment bolts<br>(3 bolts) | Grease quantity<br>initial fill<br>kg |
|-----------------------|---------------------|-------------------|---|-------------|-----|-----|-----|-----|----------------------|-----|----|-------------------------------|---------------------------------------|
|                       |                     |                   | db #<br>mm                                    | dc<br>(min) | dd  | ba  | bb  | r   | dg<br>mm             | G3  | s  |                               |                                       |
| 135                   | 22328 CCK/W33       | AHX 2328          | 142   | 150         | 75  | 185 | 40  | 2.5 | 165                  | 26  | 24 | 24 x 80                       | 1.5                                   |
| 145                   | 22330 CCK/W33       | AHX 2330          | 152   | 160         | 70  | 198 | 44  | 2.5 | 175                  | 33  | 30 | 30 x 90                       | 2.0                                   |
| 150                   | 22332 CCK/W33       | AH 2332           | 162   | 175         | 75  | 210 | 48  | 4   | 190                  | 33  | 30 | 30 x 90                       | 2.4                                   |
| 160                   | 22334 CCK/W33       | AH 3134           | 172   | 185         | 100 | 158 | 38  | 4   | 200                  | 26  | 24 | 24 x 90                       | 1.1                                   |
|                       | 23234 CCK/W33       | AH 3234           | 172   | 180         | 100 | 190 | 38  | 2.5 | 200                  | 26  | 24 | 24 x 90                       | 1.3                                   |
|                       | 22334 CCK/W33       | AH 2334           | 172   | 185         | 85  | 222 | 52  | 4   | 200                  | 33  | 30 | 30 x 90                       | 2.8                                   |
| 170                   | 23136 CCK/W33       | AH 3136           | 182   | 190         | 110 | 180 | 44  | 2.5 | 210                  | 26  | 24 | 24 x 90                       | 1.1                                   |
|                       | 24136 CCK30/W33     | AH 24136          | 182   | 190         | 110 | 189 | 36  | 2.5 | 200                  | 26  | 24 | 24 x 90                       | 1.1                                   |
|                       | 22236 CCK/W33       | AH 2236           | 182   | 195         | 110 | 164 | 40  | 4   | 210                  | 26  | 24 | 24 x 90                       | 1.3                                   |
|                       | 23236 CCK/W33       | AH 3236           | 182   | 190         | 95  | 202 | 42  | 2.5 | 210                  | 33  | 30 | 30 x 90                       | 1.5                                   |
|                       | 22336 CCK/W33       | AH 2336           | 182   | 195         | 95  | 227 | 50  | 4   | 210                  | 33  | 30 | 30 x 90                       | 3.1                                   |
| 180                   | 23138 CCK/W33       | AH 3138           | 192   | 200         | 105 | 191 | 46  | 2.5 | 220                  | 33  | 30 | 30 x 100                      | 1.4                                   |
|                       | 24138 CCK30/W33     | AH 24138          | 192   | 200         | 105 | 204 | 37  | 2.5 | 210                  | 33  | 30 | 30 x 100                      | 1.4                                   |
|                       | 22238 CCK/W33       | AH 2238           | 192   | 205         | 120 | 168 | 40  | 4   | 220                  | 26  | 24 | 24 x 90                       | 1.4                                   |
|                       | 23238 CCK/W33       | AH 3238           | 192   | 205         | 105 | 212 | 45  | 4   | 220                  | 33  | 30 | 30 x 90                       | 1.9                                   |
|                       | 22338 CCK/W33       | AH 2338           | 192   | 205         | 90  | 242 | 56  | 4   | 220                  | 39  | 35 | 36 x 100                      | 3.7                                   |
| 190                   | 23040 CCK/W33       | AH 3040           | 202   | 215         | 130 | 159 | 40  | 4   | 225                  | 26  | 24 | 24 x 90                       | 0.8                                   |
|                       | 24040 CCK30/W33     | AH 24040          | 202   | 210         | 130 | 188 | 38  | 2.5 | 220                  | 26  | 24 | 24 x 90                       | 1.1                                   |
|                       | 23140 CCK/W33       | AH 3140           | 202   | 215         | 115 | 204 | 48  | 4   | 230                  | 33  | 30 | 30 x 100                      | 1.7                                   |
|                       | 24140 CCK30/W33     | AH 24140          | 202   | 215         | 115 | 218 | 39  | 4   | 220                  | 33  | 30 | 30 x 100                      | 1.9                                   |
|                       | 22240 CCK/W33       | AH 2240           | 202   | 215         | 115 | 179 | 42  | 4   | 230                  | 33  | 30 | 30 x 100                      | 1.6                                   |
|                       | 23240 CCK/W33       | AH 3240           | 202   | 215         | 115 | 226 | 50  | 4   | 230                  | 33  | 30 | 30 x 100                      | 2.2                                   |
|                       | 22340 CCK/W33       | AH 2340           | 202   | 215         | 100 | 260 | 62  | 4   | 230                  | 39  | 35 | 36 x 100                      | 4.5                                   |
|                       | 200                 | 23044 CCK/W33     | AOH 3044                                      | 222         | 235 | 140 | 168 | 40  | 4                    | 250 | 26 | 24                            | 24 x 90                               |
| 24044 CCK30/W33       |                     | AOH 24044         | 222   | 235         | 125 | 210 | 46  | 4   | 245                  | 33  | 30 | 30 x 100                      | 1.6                                   |
| 23144 CCK/W33         |                     | AOH 3144          | 222   | 235         | 125 | 220 | 52  | 4   | 255                  | 33  | 30 | 30 x 100                      | 2.1                                   |
| 24144 CCK30/W33       |                     | AOH 24144         | 222   | 235         | 125 | 235 | 43  | 4   | 245                  | 33  | 30 | 30 x 100                      | 2.3                                   |
| 22244 CCK/W33         |                     | AOH 2244          | 222   | 235         | 125 | 190 | 42  | 4   | 255                  | 33  | 30 | 30 x 100                      | 2.0                                   |
| 23244 CCK/W33         |                     | AOH 2344          | 222   | 235         | 110 | 257 | 52  | 4   | 255                  | 39  | 35 | 36 x 100                      | 3.2                                   |
| 22344 CCK/W33         |                     | AOH 2344          | 222   | 235         | 110 | 270 | 62  | 4   | 255                  | 39  | 35 | 36 x 100                      | 4.9                                   |

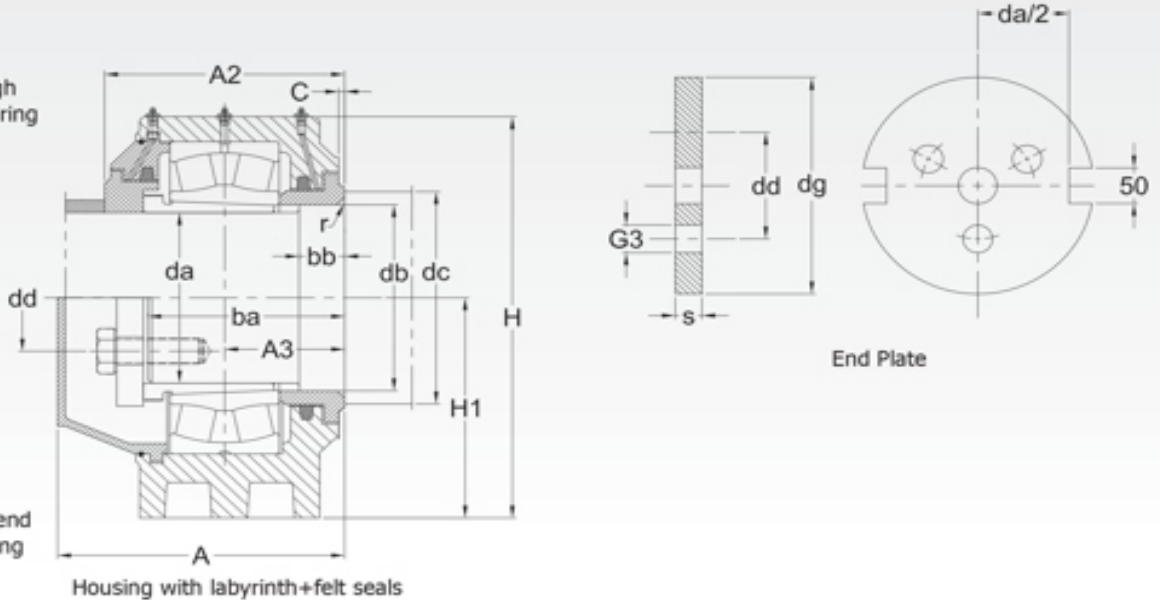
# The tolerance for db should be h6





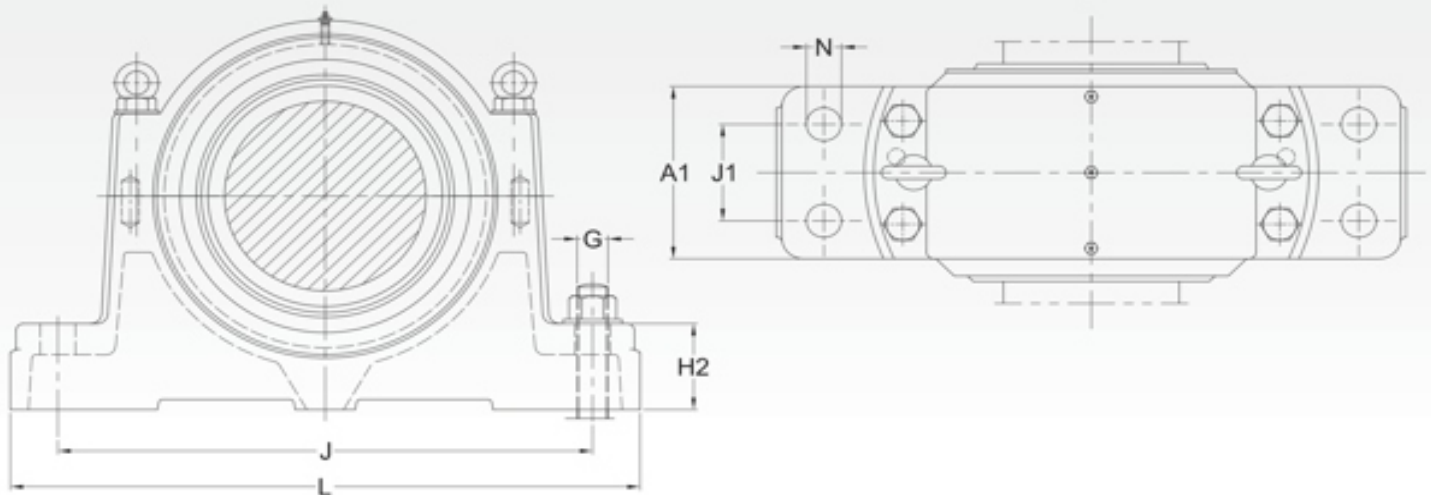
# SDG Plummer Block Housings For Spherical Roller Bearings With Withdrawal Sleeves (TYPE: D)

Type BF:  
Housing for through shaft Locating bearing



Type AL:  
Housing for shaft end Non-locating bearing

| Shaft dia<br>da<br>mm | Housing Dimensions (in mm) |     |     |     |      |     |     |     |     |     |      |    |    | Masses (Approx)<br>Housing type |     | Designation<br>Housing of<br>Grey Cast Iron |
|-----------------------|----------------------------|-----|-----|-----|------|-----|-----|-----|-----|-----|------|----|----|---------------------------------|-----|---|
|                       | A                          | A1  | A2  | A3  | C    | H   | H1  | H2  | J   | J1  | L    | N  | G  | A<br>kg                         | B   |   |
| 220                   | 270                        | 160 | 220 | 110 | 8    | 445 | 240 | 95  | 560 | 80  | 670  | 35 | 30 | 105                             | 115 | SDGC 3048 D                                 |
|                       | 320                        | 210 | 270 | 135 | 8    | 475 | 260 | 105 | 610 | 120 | 720  | 42 | 36 | 180                             | 180 | SDGC 4048 D                                 |
|                       | 346                        | 225 | 292 | 146 | 8    | 515 | 280 | 115 | 655 | 130 | 770  | 42 | 36 | 220                             | 230 | SDGC 3148 D                                 |
|                       | 346                        | 225 | 292 | 146 | 8    | 515 | 280 | 115 | 655 | 130 | 770  | 42 | 36 | 235                             | 240 | SDGC 4148 D                                 |
|                       | 320                        | 190 | 260 | 130 | 10   | 570 | 310 | 120 | 710 | 100 | 825  | 42 | 36 | 235                             | 260 | SDGC 2248 D                                 |
|                       | 378                        | 250 | 316 | 158 | 8    | 565 | 310 | 125 | 730 | 140 | 860  | 48 | 42 | 305                             | 310 | SDGC 3248 D                                 |
|                       | 425                        | 280 | 350 | 175 | 10   | 640 | 350 | 140 | 800 | 165 | 940  | 48 | 42 | 410                             | 425 | SDGC 2348 D                                 |
| 240                   | 280                        | 160 | 226 | 113 | 8    | 500 | 270 | 110 | 620 | 80  | 710  | 35 | 30 | 135                             | 145 | SDGC 3052 D                                 |
|                       | 346                        | 225 | 292 | 146 | 8    | 515 | 280 | 115 | 655 | 130 | 770  | 42 | 36 | 220                             | 220 | SDGC 4052 D                                 |
|                       | 378                        | 250 | 316 | 158 | 8    | 565 | 310 | 125 | 730 | 140 | 860  | 48 | 42 | 300                             | 300 | SDGC 3152 D                                 |
|                       | 378                        | 250 | 316 | 158 | 8    | 565 | 310 | 125 | 730 | 140 | 860  | 48 | 42 | 310                             | 310 | SDGC 4152 D                                 |
|                       | 330                        | 200 | 270 | 135 | 10   | 592 | 320 | 130 | 735 | 105 | 855  | 42 | 36 | 235                             | 265 | SDGC 2252 D                                 |
|                       | 380                        | 250 | 320 | 160 | 10   | 585 | 320 | 130 | 750 | 145 | 880  | 48 | 42 | 290                             | 300 | SDGC 3252 D                                 |
|                       | 454                        | 305 | 372 | 186 | 10   | 695 | 380 | 155 | 900 | 170 | 1060 | 56 | 48 | 545                             | 560 | SDGC 2352 D                                 |
| 260                   | 294                        | 165 | 232 | 116 | 8.5  | 520 | 280 | 115 | 635 | 80  | 730  | 35 | 30 | 145                             | 155 | SDGC 3056 D                                 |
|                       | 378                        | 250 | 316 | 158 | 8    | 565 | 310 | 125 | 730 | 140 | 860  | 48 | 42 | 320                             | 320 | SDGC 4056 D                                 |
|                       | 380                        | 250 | 320 | 160 | 10   | 585 | 320 | 130 | 750 | 145 | 880  | 48 | 42 | 315                             | 315 | SDGC 3156 D                                 |
|                       | 380                        | 250 | 320 | 160 | 10   | 585 | 320 | 130 | 750 | 145 | 880  | 48 | 42 | 325                             | 325 | SDGC 4156 D                                 |
|                       | 355                        | 210 | 280 | 140 | 10   | 646 | 350 | 140 | 780 | 110 | 900  | 42 | 36 | 320                             | 345 | SDGC 2256 D                                 |
|                       | 425                        | 280 | 350 | 175 | 10   | 640 | 350 | 140 | 800 | 165 | 940  | 48 | 42 | 405                             | 415 | SDGC 3256 D                                 |
|                       | 485                        | 340 | 400 | 200 | 11   | 750 | 410 | 165 | 940 | 195 | 1110 | 56 | 48 | 670                             | 690 | SDGC 2356 D                                 |
| 280                   | 320                        | 190 | 260 | 130 | 10   | 570 | 310 | 120 | 710 | 100 | 825  | 42 | 36 | 205                             | 220 | SDGC 3060 D                                 |
|                       | 380                        | 250 | 320 | 160 | 10   | 585 | 320 | 130 | 750 | 145 | 880  | 48 | 42 | 310                             | 310 | SDGC 4060 D                                 |
|                       | 425                        | 280 | 350 | 175 | 10   | 640 | 350 | 140 | 800 | 165 | 940  | 48 | 42 | 400                             | 410 | SDGC 3160 D                                 |
|                       | 425                        | 280 | 350 | 175 | 10   | 640 | 350 | 140 | 800 | 165 | 940  | 48 | 42 | 420                             | 430 | SDGC 4160 D                                 |
|                       | 369                        | 220 | 288 | 144 | 10.5 | 665 | 360 | 145 | 840 | 110 | 970  | 48 | 42 | 350                             | 360 | SDGC 2260 D                                 |
|                       | 454                        | 305 | 372 | 186 | 10   | 695 | 380 | 155 | 900 | 170 | 1060 | 56 | 48 | 535                             | 545 | SDGC 3260 D                                 |
| 300                   | 330                        | 200 | 270 | 135 | 10   | 592 | 320 | 130 | 735 | 105 | 855  | 42 | 36 | 225                             | 240 | SDGC 3064 D                                 |
|                       | 380                        | 250 | 320 | 160 | 10   | 585 | 320 | 130 | 750 | 145 | 880  | 48 | 42 | 280                             | 280 | SDGC 4064 D                                 |
|                       | 454                        | 305 | 372 | 186 | 10   | 695 | 380 | 155 | 900 | 170 | 1060 | 56 | 48 | 535                             | 540 | SDGC 3164 D                                 |
|                       | 454                        | 305 | 372 | 186 | 10   | 695 | 380 | 155 | 900 | 170 | 1060 | 56 | 48 | 555                             | 560 | SDGC 4164 D                                 |
|                       | 385                        | 240 | 300 | 150 | 11   | 740 | 400 | 160 | 920 | 120 | 1060 | 56 | 48 | 490                             | 500 | SDGC 2264 D                                 |
|                       | 485                        | 340 | 400 | 200 | 11   | 750 | 410 | 165 | 940 | 195 | 1110 | 56 | 48 | 660                             | 670 | SDGC 3264 D                                 |



| Shaft dia<br>da<br>mm | Appropriate Bearing | Withdrawal sleeve | Shaft seating, abutment and fillet dimensions |             |     |     |    |   | End plate Dimensions |    |    | Attachment bolts<br>(3 bolts) | Grease quantity<br>initial fill<br>kg |
|-----------------------|---------------------|-------------------|---|-------------|-----|-----|----|---|----------------------|----|----|-------------------------------|---------------------------------------|
|                       |                     |                   | db #<br>mm                                    | dc<br>(min) | dd  | ba  | bb | r | dg<br>mm             | G3 | s  |                               |                                       |
| 220                   | 23048 CCK/W33       | AOH 3048          | 242   | 255         | 145 | 181 | 45 | 4 | 275                  | 33 | 30 | 30 X 100                      | 1.2                                   |
|                       | 24048 CCK30/W33     | AOH 24048         | 242   | 255         | 145 | 220 | 54 | 4 | 265                  | 33 | 30 | 30 X 100                      | 1.7                                   |
|                       | 23148 CCK/W33       | AOH 3148          | 242   | 255         | 130 | 237 | 58 | 4 | 275                  | 39 | 35 | 30 X 110                      | 2.8                                   |
|                       | 24148 CCK30/W33     | AOH 24148         | 242   | 255         | 130 | 252 | 46 | 4 | 275                  | 39 | 35 | 36 X 100                      | 3.0                                   |
|                       | 22248 CCK/W33       | AOH 2248          | 242   | 255         | 130 | 214 | 50 | 4 | 275                  | 39 | 35 | 36 X 100                      | 2.8                                   |
|                       | 23248 CCK/W33       | AOH 2348          | 242   | 255         | 130 | 269 | 54 | 4 | 275                  | 39 | 35 | 36 X 100                      | 4.0                                   |
|                       | 22348 CCK/W33       | AOH 2348          | 242   | 255         | 115 | 288 | 68 | 4 | 275                  | 45 | 42 | 42 X 120                      | 5.8                                   |
| 240                   | 23052 CCK/W33       | AOH 3052          | 262   | 275         | 165 | 190 | 45 | 4 | 295                  | 33 | 30 | 30 X 100                      | 1.6                                   |
|                       | 24052 CCK30/W33     | AOH 24052         | 262   | 275         | 150 | 244 | 54 | 4 | 285                  | 39 | 35 | 36 X 110                      | 2.4                                   |
|                       | 23152 CCK/W33       | AOH 3152          | 262   | 275         | 150 | 259 | 60 | 4 | 305                  | 39 | 35 | 36 X 110                      | 3.8                                   |
|                       | 24152 CCK30/W33     | AOH 24152         | 262   | 275         | 150 | 276 | 47 | 4 | 295                  | 39 | 35 | 36 X 110                      | 4.2                                   |
|                       | 22252 CACK/W33      | AOH 2252          | 262   | 275         | 150 | 225 | 50 | 4 | 305                  | 39 | 35 | 36 X 110                      | 3.2                                   |
|                       | 23252 CACK/W33      | AOH 2352          | 262   | 275         | 150 | 280 | 52 | 4 | 305                  | 39 | 35 | 36 X 110                      | 5.1                                   |
|                       | 22352 CCK/W33       | AOH 2352          | 262   | 275         | 135 | 310 | 72 | 4 | 305                  | 45 | 42 | 42 x 110                      | 7.5                                   |
| 260                   | 23056 CCK/W33       | AOH 3056          | 282   | 295         | 185 | 195 | 45 | 4 | 320                  | 33 | 30 | 30 x 100                      | 1.7                                   |
|                       | 24056 CCK30/W33     | AOH 24056         | 282   | 295         | 170 | 257 | 62 | 4 | 310                  | 39 | 35 | 36 x 110                      | 2.8                                   |
|                       | 23156 CCK/W33       | AOH 3156          | 282   | 295         | 170 | 264 | 60 | 4 | 330                  | 39 | 35 | 36 x 110                      | 3.9                                   |
|                       | 24156 CCK30/W33     | AOH 24156         | 282   | 295         | 170 | 278 | 48 | 4 | 320                  | 39 | 35 | 36 x 120                      | 3.9                                   |
|                       | 22256 CACK/W33      | AOH 2256          | 282   | 295         | 155 | 232 | 52 | 4 | 330                  | 45 | 42 | 42 x 130                      | 3.4                                   |
|                       | 23256 CACK/W33      | AOH 2356          | 282   | 295         | 155 | 300 | 60 | 4 | 330                  | 45 | 42 | 42 x 120                      | 5.7                                   |
|                       | 22356 CCK/W33       | AOH 2356          | 282   | 295         | 140 | 325 | 80 | 4 | 330                  | 52 | 48 | 48 x 130                      | 9.5                                   |
| 280                   | 23060 CCK/W33       | AOH 3060          | 302   | 315         | 190 | 218 | 50 | 4 | 340                  | 39 | 35 | 36 X 110                      | 2.7                                   |
|                       | 24060 CCK30/W33     | AOH 24060         | 302   | 315         | 190 | 270 | 56 | 4 | 330                  | 39 | 35 | 36 x 120                      | 3.6                                   |
|                       | 23160 CCK/W33       | AOH 3160          | 302   | 315         | 175 | 288 | 68 | 4 | 350                  | 45 | 42 | 42 x 130                      | 5.6                                   |
|                       | 24160 CCK30/W33     | AOH 24160         | 302   | 315         | 175 | 305 | 54 | 4 | 340                  | 45 | 42 | 42 x 130                      | 5.8                                   |
|                       | 22260 CACK/W33      | AOH 2260          | 302   | 315         | 175 | 245 | 52 | 4 | 350                  | 45 | 42 | 42 x 130                      | 4.3                                   |
|                       | 23260 CACK/W33      | AOH 3260          | 302   | 315         | 175 | 318 | 64 | 4 | 350                  | 45 | 42 | 42 x 120                      | 7.8                                   |
| 300                   | 23064 CCK/W33       | AOH 3064          | 322   | 340         | 210 | 224 | 50 | 6 | 365                  | 39 | 35 | 36 x 120                      | 2.7                                   |
|                       | 24064 CCK30/W33     | AOH 24064         | 322   | 335         | 210 | 270 | 56 | 4 | 350                  | 39 | 35 | 36 x 120                      | 4.1                                   |
|                       | 23164 CCK/W33       | AOH 3164          | 322   | 340         | 195 | 306 | 68 | 6 | 370                  | 45 | 42 | 42 x 130                      | 7.0                                   |
|                       | 24164 CCK30/W33     | AOH 24164         | 322   | 340         | 195 | 324 | 54 | 6 | 360                  | 45 | 42 | 42 x 130                      | 5.7                                   |
|                       | 22264 CACK/W33      | AOH 2264          | 322   | 340         | 195 | 256 | 52 | 6 | 370                  | 45 | 42 | 42 x 130                      | 6.1                                   |
|                       | 23264 CACK/W33      | AOH 3264          | 322   | 340         | 180 | 342 | 68 | 6 | 370                  | 52 | 48 | 48 x 130                      | 10.0                                  |

# The tolerance for db should be h6

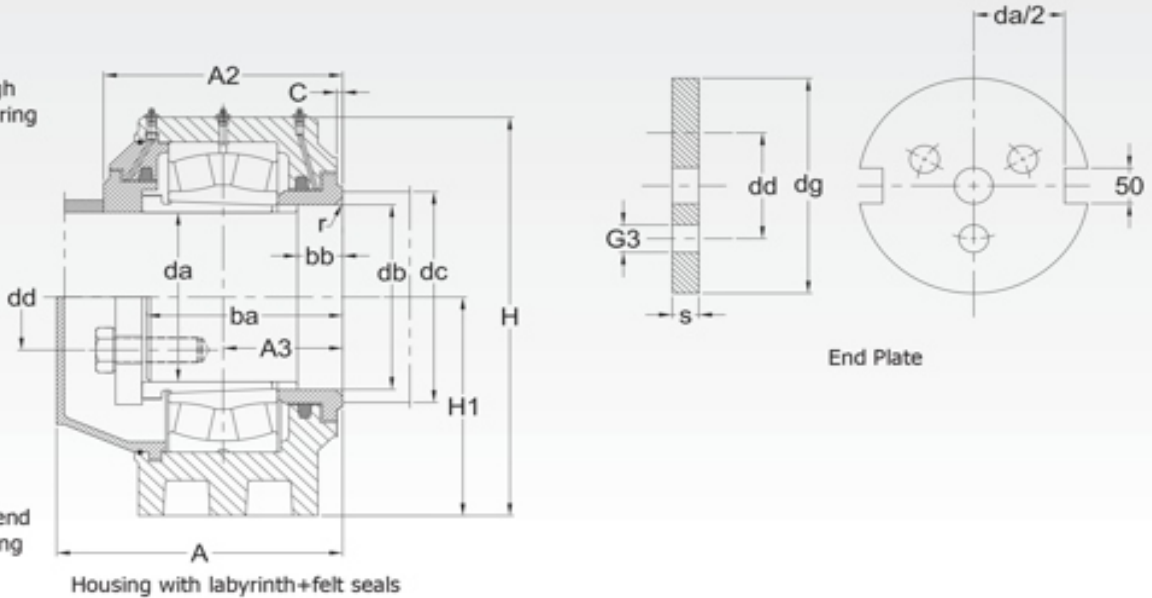




# SDG Plummer Block Housings For Spherical Roller Bearings With Withdrawal Sleeves (TYPE: D)

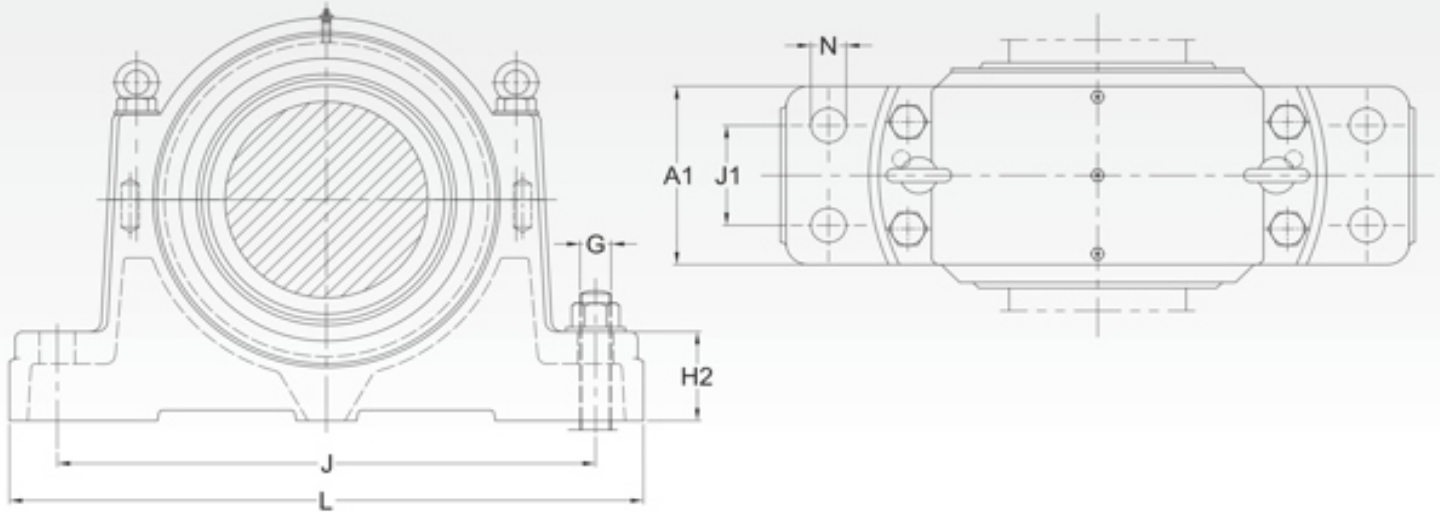
Type BF:  
Housing for through shaft Locating bearing

Type AL:  
Housing for shaft end Non-locating bearing



| Shaft dia<br>da<br>mm | Housing Dimensions (in mm) |     |     |     |      |      |     |     |      |     |      |    |      | Masses (Approx) |         | Designation<br>Housing of<br>Grey Cast Iron |
|-----------------------|----------------------------|-----|-----|-----|------|------|-----|-----|------|-----|------|----|------|-----------------|---------|---|
|                       | A                          | A1  | A2  | A3  | C    | H    | H1  | H2  | J    | J1  | L    | N  | G    | Housing type    |         |   |
|                       | mm                         | mm  | mm  | mm  | mm   | mm   | mm  | mm  | mm   | mm  | mm   | mm | mm   | A<br>kg         | B<br>kg |   |
| 320                   | 355                        | 210 | 280 | 140 | 10   | 646  | 350 | 140 | 780  | 110 | 900  | 42 | 36   | 290             | 300     | SDGC 3068 D                                 |
|                       | 425                        | 280 | 350 | 175 | 10   | 640  | 350 | 140 | 800  | 165 | 940  | 48 | 42   | 365             | 365     | SDGC 4068 D                                 |
|                       | 485                        | 340 | 400 | 200 | 11   | 750  | 410 | 165 | 940  | 195 | 1110 | 56 | 48   | 650             | 665     | SDGC 3168 D                                 |
|                       | 485                        | 340 | 400 | 200 | 11   | 750  | 410 | 165 | 940  | 195 | 1110 | 56 | 48   | 670             | 665     | SDGC 4168 D                                 |
|                       | 500                        | 340 | 400 | 200 | 11   | 790  | 430 | 175 | 1010 | 195 | 1190 | 66 | 56   | 760             | 770     | SDGC 3268 D                                 |
| 340                   | 369                        | 220 | 288 | 144 | 10.5 | 665  | 360 | 145 | 840  | 110 | 970  | 48 | 42   | 330             | 340     | SDGC 3072 D                                 |
|                       | 454                        | 305 | 372 | 186 | 10   | 695  | 380 | 155 | 900  | 170 | 1060 | 56 | 48   | 525             | 520     | SDGC 4072 D                                 |
|                       | 485                        | 340 | 400 | 200 | 11   | 750  | 410 | 165 | 940  | 195 | 1110 | 56 | 48   | 630             | 625     | SDGC 3172 D                                 |
|                       | 485                        | 340 | 400 | 200 | 11   | 790  | 430 | 175 | 1010 | 195 | 1190 | 66 | 56   | 765             | 760     | SDGC 4172 D                                 |
|                       | 522                        | 350 | 414 | 207 | 12   | 825  | 450 | 180 | 1040 | 200 | 1230 | 66 | 56   | 875             | 880     | SDGC 3272 D                                 |
| 360                   | 379                        | 230 | 298 | 149 | 10.5 | 685  | 370 | 150 | 870  | 110 | 1000 | 48 | 42   | 350             | 360     | SDGC 3076 D                                 |
|                       | 454                        | 305 | 372 | 186 | 10   | 695  | 380 | 155 | 900  | 170 | 1060 | 56 | 48   | 485             | 475     | SDGC 4076 D                                 |
|                       | 500                        | 340 | 400 | 200 | 11   | 790  | 430 | 175 | 1010 | 195 | 1190 | 66 | 56   | 750             | 755     | SDGC 3176 D                                 |
|                       | 500                        | 340 | 400 | 200 | 11   | 790  | 430 | 175 | 1010 | 195 | 1190 | 66 | 56   | 730             | 725     | SDGC 4176 D                                 |
|                       | 564                        | 390 | 458 | 229 | 14   | 895  | 490 | 200 | 1110 | 225 | 1300 | 66 | 56   | 1150            | 1150    | SDGC 3276 D                                 |
| 380                   | 385                        | 240 | 300 | 150 | 11   | 740  | 400 | 160 | 920  | 120 | 1060 | 56 | 48   | 450             | 460     | SDGC 3080 D                                 |
|                       | 485                        | 340 | 400 | 200 | 11   | 750  | 410 | 165 | 940  | 195 | 1110 | 56 | 48   | 650             | 635     | SDGC 4080 D                                 |
|                       | 522                        | 350 | 414 | 207 | 12   | 825  | 450 | 180 | 1040 | 200 | 1230 | 66 | 56   | 865             | 865     | SDGC 3180 D                                 |
|                       | 522                        | 350 | 414 | 207 | 12   | 825  | 450 | 180 | 1040 | 200 | 1230 | 66 | 56   | 885             | 880     | SDGC 4180 D                                 |
|                       | 564                        | 390 | 458 | 229 | 14   | 945  | 500 | 150 | 1160 | 225 | 1370 | 74 | 64   | 1060            | 1050    | SDGC 3280 D                                 |
| 400                   | 400                        | 240 | 300 | 150 | 11   | 760  | 410 | 165 | 960  | 120 | 1130 | 56 | 48   | 465             | 475     | SDGC 3084 D                                 |
|                       | 500                        | 340 | 400 | 200 | 11   | 790  | 430 | 175 | 1010 | 195 | 1190 | 66 | 56   | 740             | 725     | SDGC 4084 D                                 |
|                       | 564                        | 390 | 458 | 229 | 14   | 895  | 490 | 200 | 1110 | 225 | 1300 | 66 | 56   | 1100            | 1100    | SDGC 3184 D                                 |
|                       | 564                        | 390 | 458 | 229 | 14   | 895  | 490 | 200 | 1110 | 225 | 1300 | 66 | 56   | 1100            | 1100    | SDGC 4184 D                                 |
|                       | 593                        | 420 | 486 | 243 | 16   | 1005 | 530 | 160 | 1270 | 240 | 1500 | 82 | 72x6 | 1300            | 1300    | SDGC 3284 D                                 |
| 420                   | 432                        | 260 | 324 | 162 | 12   | 800  | 430 | 170 | 1000 | 130 | 1160 | 56 | 48   | 515             | 540     | SDGC 3088 D                                 |
|                       | 522                        | 350 | 414 | 207 | 12   | 885  | 450 | 180 | 1040 | 200 | 1230 | 66 | 56   | 855             | 835     | SDGC 4088 D                                 |
|                       | 564                        | 390 | 458 | 229 | 14   | 945  | 500 | 150 | 1160 | 225 | 1370 | 74 | 64   | 1050            | 1050    | SDGC 3188 D                                 |
|                       | 564                        | 390 | 458 | 229 | 14   | 945  | 500 | 150 | 1160 | 225 | 1370 | 74 | 64   | 1050            | 1050    | SDGC 4188 D                                 |
|                       | 603                        | 430 | 496 | 248 | 16   | 1045 | 550 | 165 | 1300 | 245 | 1530 | 82 | 72x6 | 1450            | 1400    | SDGC 3288 D                                 |
| 440                   | 454                        | 280 | 348 | 174 | 14   | 835  | 450 | 180 | 1070 | 130 | 1250 | 66 | 56   | 670             | 680     | SDGC 3092 D                                 |
|                       | 522                        | 350 | 414 | 207 | 12   | 825  | 450 | 180 | 1040 | 200 | 1230 | 66 | 56   | 770             | 750     | SDGC 4092 D                                 |
|                       | 593                        | 420 | 486 | 243 | 16   | 1005 | 530 | 160 | 1270 | 240 | 1500 | 82 | 72x6 | 1300            | 1300    | SDGC 3192 D                                 |
|                       | 593                        | 420 | 486 | 243 | 16   | 1005 | 530 | 160 | 1270 | 240 | 1500 | 82 | 72x6 | 1305            | 1300    | SDGC 4192 D                                 |
|                       | 638                        | 460 | 526 | 263 | 16   | 1095 | 580 | 175 | 1350 | 260 | 1580 | 82 | 72x6 | 1700            | 1650    | SDGC 3292 D                                 |





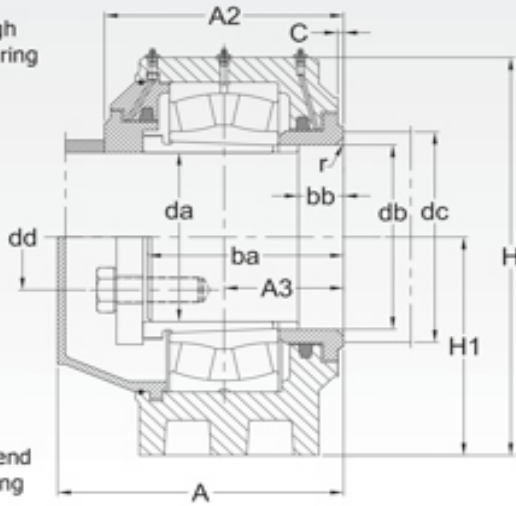
| Shaft dia<br>da<br>mm | Appropriate bearing | Withdrawal sleeve | Shaft seating, abutment and fillet dimensions |       |     |     |    |   | End plate Dimensions |    |    | Attachment bolts<br>(3 bolts) | Grease quantity<br>Initial fill<br>kg |
|-----------------------|---------------------|-------------------|---|-------|-----|-----|----|---|----------------------|----|----|-------------------------------|---------------------------------------|
|                       |                     |                   | db #  | dc    | dd  | ba  | bb | r | dg                   | G3 | s  |                               |                                       |
|                       |                     |                   | mm  | (min) |     |     |    |   |                      |    |    |                               |                                       |
| 320                   | 23068 CCK/W33       | AOH 3068          | 342   | 360   | 215 | 237 | 50 | 6 | 385                  | 45 | 42 | 42 x130                       | 3.0                                   |
|                       | 24068 CCK30/W33     | AOH 24068         | 342   | 355   | 215 | 298 | 60 | 4 | 380                  | 45 | 42 | 42 x130                       | 4.9                                   |
|                       | 23168 CCK/W33       | AOH 3168          | 342   | 360   | 200 | 330 | 74 | 6 | 390                  | 52 | 48 | 48 x 140                      | 9.0                                   |
|                       | 24168 ECAK30/W33    | AOH 24168         | 342   | 360   | 200 | 354 | 57 | 6 | 380                  | 52 | 48 | 48 x 140                      | 7.2                                   |
|                       | 23268 CCK/W33       | AOH 3268          | 342   | 360   | 200 | 352 | 62 | 6 | 390                  | 52 | 48 | 48 x 140                      | 11.5                                  |
| 340                   | 23072 CCK/W33       | AOH 3072          | 362   | 380   | 235 | 244 | 50 | 6 | 405                  | 45 | 42 | 42 x 130                      | 3.5                                   |
|                       | 24072 CCK30/W33     | AOH 24072         | 362   | 380   | 235 | 308 | 68 | 6 | 400                  | 45 | 42 | 42 x140                       | 5.8                                   |
|                       | 23172 CACK/W33      | AOH 3172          | 362   | 380   | 220 | 333 | 74 | 6 | 420                  | 52 | 48 | 48 x 140                      | 9.4                                   |
|                       | 24172 ECCK30/W33    | AOH 24172         | 362   | 380   | 220 | 354 | 54 | 6 | 400                  | 52 | 48 | 48 x150                       | 7.9                                   |
|                       | 23272 CAK/W33       | AOH 3272          | 362   | 380   | 220 | 365 | 64 | 6 | 420                  | 52 | 48 | 48 x 140                      | 12.7                                  |
| 360                   | 23076 CCK/W33       | AOH 3076          | 382   | 400   | 255 | 253 | 54 | 6 | 430                  | 45 | 42 | 42 x 130                      | 4.0                                   |
|                       | 24076 CCK30/W33     | AOH 24076         | 382   | 400   | 255 | 310 | 68 | 6 | 420                  | 45 | 42 | 42 x 140                      | 6.2                                   |
|                       | 23176 CAK/W33       | AOH 3176          | 382   | 400   | 240 | 336 | 74 | 6 | 440                  | 52 | 48 | 48 x 140                      | 10.0                                  |
|                       | 24176 ECAK30/W33    | AOH 24176         | 382   | 400   | 240 | 356 | 54 | 6 | 420                  | 52 | 48 | 48 x 150                      | 8.0                                   |
|                       | 23276 CAK/W33       | AOH 3276          | 382   | 400   | 220 | 394 | 76 | 6 | 440                  | 62 | 55 | 56 x 150                      | 15.5                                  |
| 380                   | 23080 CCK/W33       | AOH 3080          | 402   | 420   | 275 | 260 | 55 | 6 | 455                  | 45 | 42 | 42 x 130                      | 4.8                                   |
|                       | 24080 CCK30/W33     | AOH 24080         | 402   | 420   | 260 | 334 | 70 | 6 | 445                  | 52 | 48 | 48 x 150                      | 7.3                                   |
|                       | 23180 CAK/W33       | AOH 3180          | 402   | 420   | 260 | 348 | 75 | 6 | 465                  | 52 | 48 | 48 x 140                      | 10.5                                  |
|                       | 24180 ECAK30/W33    | AOH 24180         | 402   | 420   | 260 | 366 | 58 | 6 | 445                  | 52 | 48 | 48 x 150                      | 9.2                                   |
|                       | 23280 CAK/W33       | AOH 3280          | 402   | 420   | 240 | 404 | 76 | 6 | 465                  | 62 | 55 | 56 x 150                      | 17.5                                  |
| 400                   | 23084 CAK/W33       | AOH 3084          | 422   | 440   | 280 | 262 | 55 | 6 | 475                  | 52 | 48 | 48 x 150                      | 5.2                                   |
|                       | 24084 CAK30/W33     | AOH 24084         | 422   | 440   | 280 | 337 | 70 | 6 | 465                  | 52 | 48 | 48 x 150                      | 7.4                                   |
|                       | 23184 CK/W33        | AOH 3184          | 422   | 440   | 260 | 384 | 82 | 6 | 485                  | 62 | 55 | 56 x160                       | 14.5                                  |
|                       | 24184 ECAK30/W33    | AOH 24184         | 422   | 440   | 260 | 406 | 62 | 6 | 465                  | 62 | 55 | 56 x 170                      | 11.5                                  |
|                       | 23284 CAK/W33       | AOH 3284          | 422   | 440   | 260 | 430 | 76 | 6 | 485                  | 62 | 55 | 56 x 150                      | 21.0                                  |
| 420                   | 23088 CAK/W33       | AOHX 3088         | 442   | 460   | 300 | 280 | 55 | 6 | 495                  | 52 | 48 | 48 x 150                      | 6.0                                   |
|                       | 24088 CAK30/W33     | AOH 24088         | 442   | 460   | 300 | 350 | 70 | 6 | 485                  | 52 | 48 | 48 x150                       | 7.6                                   |
|                       | 23188 CAK/W33       | AOHX 3188         | 442   | 460   | 280 | 388 | 82 | 6 | 505                  | 62 | 55 | 56 x 160                      | 16.0                                  |
|                       | 24188 ECAK30/W33    | AOH 24188         | 442   | 460   | 280 | 406 | 62 | 6 | 485                  | 62 | 55 | 56 x170                       | 12.5                                  |
|                       | 23288 CAK/W33       | AOHX 3288         | 442   | 460   | 260 | 440 | 76 | 6 | 505                  | 70 | 64 | 64 x 170                      | 23.0                                  |
| 440                   | 23092 CAK/W33       | AOHX 3092         | 462   | 480   | 320 | 296 | 60 | 6 | 515                  | 52 | 48 | 48 x 150                      | 7.0                                   |
|                       | 24092 CAK30/W33     | AOH 24092         | 462   | 480   | 320 | 355 | 70 | 6 | 505                  | 52 | 48 | 48 x 150                      | 8.5                                   |
|                       | 23192 CAK/W33       | AOHX 3192         | 462   | 480   | 300 | 410 | 86 | 6 | 535                  | 62 | 55 | 56 x 160                      | 18.0                                  |
|                       | 24192 ECAK30/W33    | AOH 24192         | 462   | 480   | 300 | 432 | 67 | 6 | 505                  | 62 | 55 | 56 x 170                      | 15.0                                  |
|                       | 23292 CAK/W33       | AOHX 3292         | 462   | 480   | 280 | 465 | 80 | 6 | 535                  | 70 | 64 | 64 x 170                      | 27.0                                  |

# The tolerance for db < 412mm should be h6 and > 412 mm h7



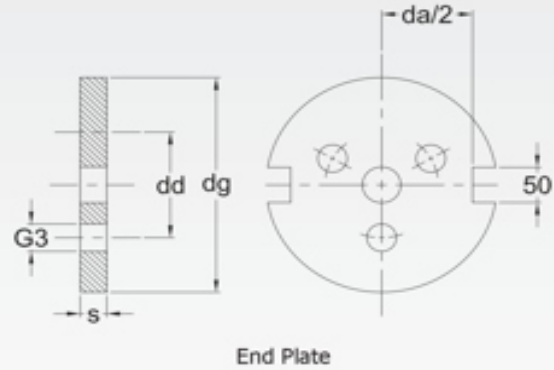
# SDG Plummer Block Housings For Spherical Roller Bearings With Withdrawal Sleeves (TYPE: D)

Type BL:  
Housing for through  
shaft Locating bearing

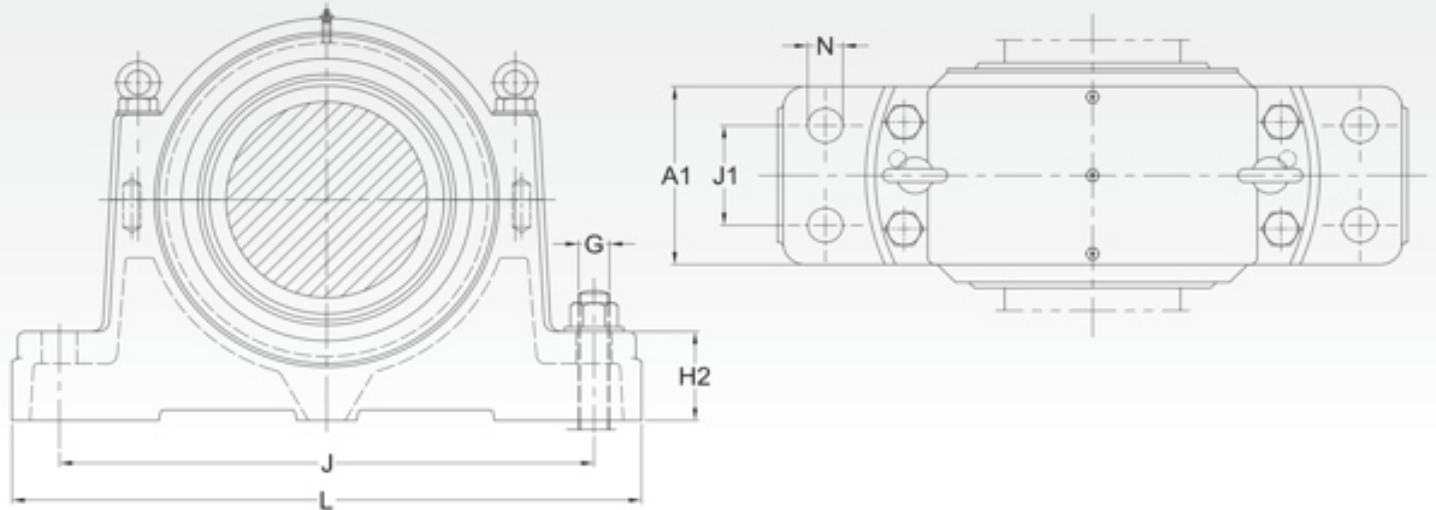


Type AL:  
Housing for shaft end  
Non-locating bearing

Housing with labyrinth+felt seals



| Shaft dia<br>da<br>mm | Housing Dimensions (in mm) |     |     |     |    |      |     |     |      |     |      |    |      | Masses (Approx)<br>Housing type |      | Designation<br>Housing of<br>Grey Cast Iron |
|-----------------------|----------------------------|-----|-----|-----|----|------|-----|-----|------|-----|------|----|------|---------------------------------|------|---|
|                       | A                          | A1  | A2  | A3  | C  | H    | H1  | H2  | J    | J1  | L    | N  | G    | A<br>kg                         | B    |   |
| 460                   | 464                        | 290 | 358 | 179 | 14 | 855  | 460 | 185 | 1080 | 140 | 1260 | 66 | 56   | 720                             | 730  | SDGC 30/96 D                                |
|                       | 564                        | 390 | 458 | 229 | 14 | 895  | 490 | 200 | 1110 | 225 | 1300 | 66 | 56   | 1100                            | 1050 | SDGC 40/96 D                                |
|                       | 603                        | 430 | 496 | 248 | 16 | 1045 | 550 | 165 | 1300 | 245 | 1530 | 82 | 72x6 | 1450                            | 1400 | SDGC 31/96 D                                |
|                       | 603                        | 430 | 496 | 248 | 16 | 1045 | 550 | 165 | 1300 | 245 | 1530 | 82 | 72x6 | 1400                            | 1400 | SDGC 41/96 D                                |
|                       | 660                        | 470 | 540 | 270 | 18 | 1130 | 600 | 180 | 1390 | 270 | 1620 | 82 | 72x6 | 1800                            | 1800 | SDGC 32/96 D                                |
| 480                   | 464                        | 290 | 358 | 179 | 14 | 865  | 460 | 190 | 1100 | 140 | 1280 | 66 | 56   | 740                             | 750  | SDGC 30/500 D                               |
|                       | 564                        | 390 | 458 | 229 | 14 | 945  | 500 | 150 | 1160 | 225 | 1370 | 74 | 64   | 1000                            | 985  | SDGC 40/500 D                               |
|                       | 638                        | 460 | 526 | 263 | 16 | 1095 | 580 | 175 | 1350 | 260 | 1580 | 82 | 72x6 | 1700                            | 1700 | SDGC 31/500 D                               |
|                       | 638                        | 460 | 526 | 263 | 16 | 1095 | 580 | 175 | 1350 | 260 | 1580 | 82 | 72x6 | 1650                            | 1650 | SDGC 41/500 D                               |
|                       | 705                        | 500 | 570 | 285 | 18 | 1190 | 640 | 190 | 1420 | 300 | 1680 | 82 | 72x6 | 2100                            | 2100 | SDGC 32/500 D                               |
| 500                   | 513                        | 430 | 406 | 203 | 16 | 1045 | 550 | 165 | 1300 | 245 | 1530 | 82 | 72x6 | 1300                            | 1300 | SDGC 30/530 D                               |
|                       | 593                        | 420 | 486 | 243 | 16 | 1005 | 530 | 160 | 1270 | 240 | 1500 | 82 | 72x6 | 1200                            | 1150 | SDGC 40/530 D                               |
|                       | 660                        | 470 | 540 | 270 | 18 | 1130 | 600 | 180 | 1390 | 270 | 1620 | 82 | 72x6 | 1850                            | 1800 | SDGC 31/530 D                               |
|                       | 660                        | 470 | 540 | 270 | 18 | 1130 | 600 | 180 | 1390 | 270 | 1620 | 82 | 72x6 | 1800                            | 1750 | SDGC 41/530 D                               |
| 530                   | 518                        | 460 | 406 | 203 | 16 | 1095 | 580 | 175 | 1350 | 260 | 1580 | 82 | 72x6 | 1500                            | 1500 | SDGC 30/560 D                               |
|                       | 638                        | 460 | 526 | 263 | 16 | 1095 | 580 | 175 | 1350 | 260 | 1580 | 82 | 72x6 | 1550                            | 1500 | SDGC 40/560 D                               |
|                       | 705                        | 500 | 570 | 285 | 18 | 1190 | 640 | 190 | 1420 | 300 | 1680 | 82 | 72x6 | 2150                            | 2150 | SDGC 31/560 D                               |
|                       | 705                        | 500 | 570 | 285 | 18 | 1190 | 640 | 190 | 1420 | 300 | 1680 | 82 | 72x6 | 2100                            | 2100 | SDGC 41/560 D                               |
| 560                   | 660                        | 470 | 540 | 270 | 18 | 1130 | 600 | 180 | 1390 | 270 | 1620 | 82 | 72x6 | 1700                            | 1650 | SDGC 40/600 D                               |
| 600                   | 705                        | 500 | 570 | 285 | 18 | 1190 | 640 | 190 | 1420 | 300 | 1680 | 82 | 72x6 | 2000                            | 1950 | SDGC 40/630 D                               |



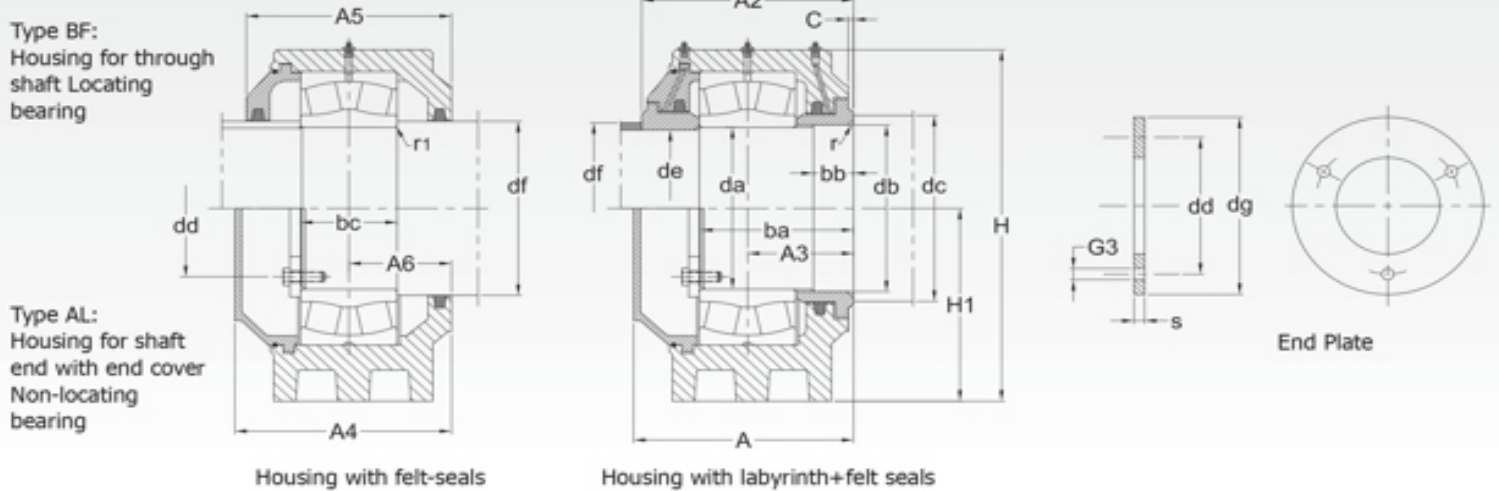
| Shaft dia<br>da<br>mm | Appropriate Bearing | Withdrawal sleeve | Shaft seating, abutment and fillet dimensions |             |     |     |     |    | End plate Dimensions |    |    | Attachment bolts<br>(3 bolts) | Grease quantity<br>initial fill<br>kg |
|-----------------------|---------------------|-------------------|---|-------------|-----|-----|-----|----|----------------------|----|----|-------------------------------|---------------------------------------|
|                       |                     |                   | db #<br>mm                                    | dc<br>(min) | dd  | ba  | bb  | r  | dg                   | G3 | s  |                               |                                       |
| 460                   | 23096 CAK/W33       | AOHX 3096         | 482   | 500         | 320 | 304 | 66  | 6  | 545                  | 62 | 55 | 3-56 x160                     | 7.4                                   |
|                       | 24096 CAK30/W33     | AOH 24096         | 482   | 500         | 320 | 377 | 84  | 6  | 525                  | 62 | 55 | 3-56 x170                     | 9.5                                   |
|                       | 23196 CAK/W33       | AOHX 3196         | 482   | 500         | 300 | 422 | 87  | 6  | 555                  | 70 | 64 | 3-64 x170                     | 20.0                                  |
|                       | 24196 ECAK30/W33    | AOH 24196         | 482   | 500         | 300 | 441 | 66  | 6  | 525                  | 70 | 64 | 3-64 x190                     | 16.5                                  |
|                       | 23296 CAK/W33       | AOHX 3296         | 482   | 500         | 280 | 482 | 80  | 6  | 555                  | 78 | 72 | 4-72x6x180                    | 31.0                                  |
| 480                   | 230/500 CAK/W33     | AOHX 30/500       | 502   | 520         | 340 | 308 | 64  | 6  | 570                  | 62 | 55 | 3-56x160                      | 8.0                                   |
|                       | 240/500 CAK30/W33   | AOH 240/500       | 502   | 520         | 340 | 380 | 84  | 6  | 560                  | 62 | 55 | 3-56x170                      | 10.0                                  |
|                       | 231/500 CAK/W33     | AOHX 31/500       | 502   | 520         | 320 | 446 | 92  | 6  | 580                  | 70 | 64 | 3-64x170                      | 22.0                                  |
|                       | 241/500 ECAK30/W33  | AOH 241/500       | 502   | 520         | 320 | 468 | 71  | 6  | 560                  | 70 | 64 | 3-64x190                      | 19.0                                  |
|                       | 232/500 CAK/W33     | AOHX 32/500       | 502   | 520         | 300 | 512 | 82  | 6  | 580                  | 78 | 72 | 4-72x6x180                    | 37.0                                  |
| 500                   | 230/530 CAK/W33     | AOH 30/530        | 532   | 550         | 340 | 342 | 75  | 6  | 590                  | 70 | 64 | 3-64x180                      | 11.0                                  |
|                       | 240/530 CAK30/W33   | AOH 240/530       | 532   | 550         | 360 | 410 | 84  | 6  | 580                  | 62 | 55 | 3-56x170                      | 14.0                                  |
|                       | 231/530 CAK/W33     | AOH 31/530        | 532   | 550         | 320 | 460 | 94  | 6  | 590                  | 78 | 72 | 4-72x6x190                    | 26.1                                  |
|                       | 241/530 ECAK30/W33  | AOH 241/530       | 532   | 550         | 320 | 480 | 73  | 6  | 580                  | 78 | 72 | 4-72x6x200                    | 22.0                                  |
| 530                   | 230/560 CAK/W33     | AOH 30/560        | 562   | 590         | 370 | 344 | 75  | 10 | 630                  | 70 | 64 | 3-64x180                      | 12.0                                  |
|                       | 240/560 CAK30/W33   | AOH 240/560       | 562   | 580         | 370 | 436 | 94  | 6  | 610                  | 70 | 64 | 3-64x190                      | 16.0                                  |
|                       | 231/560 CAK/W33     | AOH 31/560        | 562   | 590         | 350 | 482 | 100 | 10 | 630                  | 78 | 72 | 4-72x6x190                    | 32.0                                  |
|                       | 241/560 ECAK30/W33  | AOH 241/560       | 562   | 590         | 350 | 507 | 75  | 10 | 610                  | 78 | 72 | 4-72x6x200                    | 26.0                                  |
| 560                   | 240/600 CAK30/W33   | AOH 240/600       | 602   | 620         | 380 | 452 | 94  | 6  | 660                  | 78 | 72 | 4-72x6x210                    | 18.0                                  |
| 600                   | 240/630 CAK30/W33   | AOH 240/630       | 632   | 660         | 420 | 476 | 98  | 10 | 680                  | 78 | 72 | 4-72x6x210                    | 23.0                                  |

# The tolerance for db should be h6



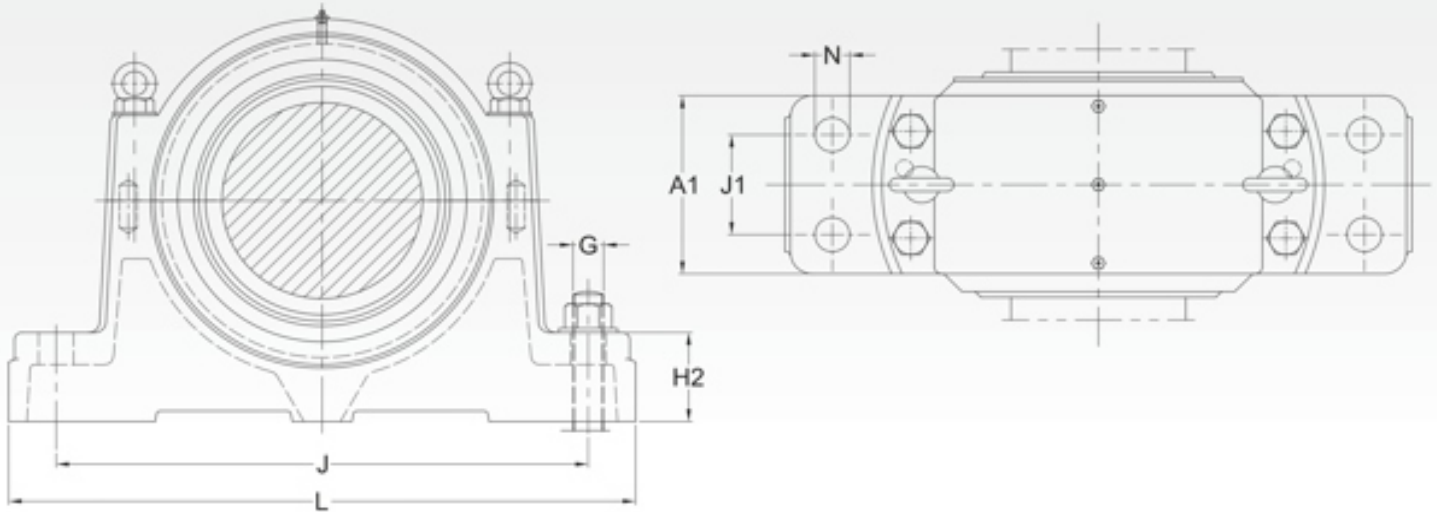


# SDG Plummer Block Housings For Spherical Roller Bearings With Cylindrical Bore (TYPE: G)



| Shaft dia<br>da<br>mm | Housing Dimensions (in mm) |     |     |     |     |     |     |    |     |     |     |     |     |     |    |    | Masses (Approx) |     | Designation #)<br>Housing of<br>Grey Cast Iron |
|-----------------------|----------------------------|-----|-----|-----|-----|-----|-----|----|-----|-----|-----|-----|-----|-----|----|----|-----------------|-----|--|
|                       | A                          | A1  | A2  | A3  | A4  | A5  | A6  | C  | H   | H1  | H2  | J   | J1  | L   | N  | G  | Housing type    |     |  |
|                       | A<br>kg                    | B   |     |     |     |     |     |    |     |     |     |     |     |     |    |    |                 |     |  |
| 140                   | 222                        | 165 | 220 | 110 | 219 | 214 | 107 | 6  | 385 | 210 | 85  | 500 | 90  | 590 | 35 | 30 | 92              | 100 | SDGC 2328 G                                    |
| 150                   | 237                        | 180 | 234 | 117 | 234 | 228 | 114 | 6  | 410 | 225 | 90  | 510 | 100 | 600 | 35 | 30 | 110             | 120 | SDGC 2330 G                                    |
| 160                   | 253                        | 195 | 250 | 125 | 250 | 244 | 122 | 6  | 440 | 240 | 95  | 580 | 105 | 690 | 42 | 36 | 140             | 150 | SDGC 2332 G                                    |
| 170                   | 197                        | 140 | 194 | 97  | 194 | 188 | 94  | 6  | 387 | 210 | 85  | 490 | 70  | 580 | 28 | 24 | 72              | 80  | SDGC 2234 G                                    |
|                       | 222                        | 165 | 220 | 110 | 219 | 214 | 107 | 6  | 385 | 210 | 85  | 500 | 90  | 590 | 35 | 30 | 85              | 90  | SDGC 3234 G                                    |
|                       | 270                        | 210 | 270 | 135 | 265 | 260 | 130 | 8  | 475 | 260 | 105 | 610 | 120 | 720 | 42 | 36 | 180             | 195 | SDGC 2334 G                                    |
| 180                   | 222                        | 165 | 220 | 110 | 219 | 214 | 107 | 6  | 385 | 210 | 85  | 500 | 90  | 590 | 35 | 30 | 90              | 94  | SDGC 3136 G                                    |
|                       | 222                        | 165 | 220 | 110 | 219 | 214 | 107 | 6  | 385 | 210 | 85  | 500 | 90  | 590 | 35 | 30 | 90              | 95  | SDGC 4136 G                                    |
|                       | 207                        | 150 | 204 | 102 | 204 | 198 | 99  | 6  | 424 | 230 | 90  | 520 | 80  | 600 | 28 | 24 | 98              | 110 | SDGC 2236 G                                    |
|                       | 237                        | 180 | 234 | 117 | 234 | 228 | 114 | 6  | 410 | 225 | 90  | 510 | 100 | 600 | 35 | 30 | 110             | 115 | SDGC 3236 G                                    |
|                       | 270                        | 210 | 270 | 135 | 265 | 260 | 130 | 8  | 475 | 260 | 105 | 610 | 120 | 720 | 42 | 36 | 165             | 180 | SDGC 2336 G                                    |
| 190                   | 237                        | 180 | 234 | 117 | 234 | 228 | 114 | 6  | 410 | 225 | 90  | 510 | 100 | 600 | 35 | 30 | 110             | 115 | SDGC 3138 G                                    |
|                       | 237                        | 180 | 234 | 117 | 234 | 228 | 114 | 6  | 410 | 225 | 90  | 510 | 100 | 600 | 35 | 30 | 110             | 115 | SDGC 4138 G                                    |
|                       | 207                        | 150 | 204 | 102 | 204 | 198 | 99  | 6  | 424 | 230 | 90  | 520 | 80  | 600 | 28 | 24 | 86              | 100 | SDGC 2238 G                                    |
|                       | 253                        | 195 | 250 | 125 | 250 | 244 | 122 | 6  | 440 | 240 | 95  | 580 | 105 | 690 | 42 | 36 | 140             | 145 | SDGC 3238 G                                    |
|                       | 298                        | 225 | 292 | 146 | 293 | 282 | 141 | 8  | 515 | 280 | 115 | 655 | 130 | 770 | 42 | 36 | 225             | 240 | SDGC 2338 G                                    |
| 200                   | 197                        | 140 | 194 | 97  | 194 | 188 | 94  | 6  | 387 | 210 | 85  | 490 | 70  | 580 | 28 | 24 | 70              | 75  | SDGC 3040 G                                    |
|                       | 222                        | 165 | 220 | 110 | 219 | 214 | 107 | 6  | 385 | 210 | 85  | 500 | 90  | 590 | 35 | 30 | 82              | 85  | SDGC 4040 G                                    |
|                       | 253                        | 195 | 250 | 125 | 250 | 244 | 122 | 6  | 440 | 240 | 95  | 580 | 105 | 690 | 42 | 36 | 140             | 145 | SDGC 3140 G                                    |
|                       | 253                        | 195 | 250 | 125 | 250 | 244 | 122 | 6  | 440 | 240 | 95  | 580 | 105 | 690 | 42 | 36 | 140             | 145 | SDGC 4140 G                                    |
|                       | 220                        | 160 | 220 | 110 | 215 | 210 | 105 | 8  | 445 | 240 | 95  | 560 | 80  | 670 | 35 | 30 | 110             | 125 | SDGC 2240 G                                    |
|                       | 270                        | 210 | 270 | 135 | 265 | 260 | 130 | 8  | 475 | 260 | 105 | 610 | 120 | 720 | 42 | 36 | 180             | 190 | SDGC 3240 G                                    |
|                       | 328                        | 250 | 316 | 158 | 323 | 306 | 153 | 8  | 565 | 310 | 125 | 730 | 140 | 860 | 48 | 42 | 270             | 280 | SDGC 2340 G                                    |
| 220                   | 207                        | 150 | 204 | 102 | 204 | 198 | 99  | 6  | 424 | 230 | 90  | 520 | 82  | 600 | 28 | 24 | 82              | 92  | SDGC 3044 G                                    |
|                       | 253                        | 195 | 250 | 125 | 250 | 244 | 122 | 6  | 440 | 240 | 95  | 580 | 105 | 690 | 42 | 36 | 135             | 140 | SDGC 4044 G                                    |
|                       | 270                        | 210 | 270 | 135 | 265 | 260 | 130 | 8  | 475 | 260 | 105 | 610 | 120 | 720 | 42 | 36 | 170             | 180 | SDGC 3144 G                                    |
|                       | 270                        | 210 | 270 | 135 | 265 | 260 | 130 | 8  | 475 | 260 | 105 | 610 | 120 | 720 | 42 | 36 | 170             | 180 | SDGC 4144 G                                    |
|                       | 233                        | 160 | 226 | 113 | 228 | 216 | 108 | 8  | 500 | 270 | 110 | 620 | 82  | 710 | 35 | 30 | 135             | 155 | SDGC 2244 G                                    |
|                       | 298                        | 225 | 292 | 146 | 293 | 282 | 141 | 8  | 515 | 280 | 115 | 655 | 130 | 770 | 42 | 36 | 220             | 230 | SDGC 3244 G                                    |
|                       | 330                        | 250 | 320 | 160 | 323 | 306 | 153 | 10 | 585 | 320 | 130 | 750 | 145 | 880 | 48 | 42 | 315             | 330 | SDGC 2344 G                                    |

#) The designation denotes a housing with labyrinth seals. A housing with felt seal is designated by suffix H, e.g. SDGC 2328 H



| Shaft dia<br>da<br>mm | Appropriate Bearing | Shaft seating, abutment and fillet dimensions |             |     |     |     |     |     |     |     |     | End plate Dimensions |     |         | Attachment bolts<br>(3 bolts) | Grease quantity<br>initial fill<br>kg |
|-----------------------|---------------------|---|-------------|-----|-----|-----|-----|-----|-----|-----|-----|----------------------|-----|---------|-------------------------------|---------------------------------------|
|                       |                     | db @<br>mm                                    | dc<br>(min) | dd  | de  | df  | ba  | bb  | bc  | r   | r1  | dg                   | G3  | s       |                               |                                       |
| 140                   | 22328 CC/W33        | 142   | 150         | 110 | 138 | 155 | 159 | 40  | 100 | 2.5 | 3   | 160                  | 14  | 12      | 12 x 35                       | 1.5                                   |
| 150                   | 22330 CC/W33        | 152   | 160         | 120 | 148 | 165 | 169 | 44  | 106 | 2.5 | 3   | 170                  | 14  | 12      | 12 x 35                       | 2.0                                   |
| 160                   | 22332 CC/W33        | 162   | 175         | 130 | 158 | 175 | 180 | 48  | 112 | 4   | 3   | 180                  | 14  | 12      | 12 x 35                       | 2.4                                   |
| 170                   | 22234 CC/W33        | 172   | 185         | 130 | 168 | 190 | 138 | 38  | 84  | 4   | 3   | 190                  | 18  | 16      | 16 x 45                       | 1.1                                   |
|                       | 23234 CC/W33        | 172   | 180         | 140 | 168 | 190 | 163 | 38  | 108 | 2.5 | 3   | 190                  | 14  | 12      | 12 x 35                       | 1.3                                   |
|                       | 22334 CC/W33        | 172   | 185         | 130 | 168 | 190 | 193 | 52  | 118 | 4   | 3   | 190                  | 18  | 16      | 16 x 45                       | 2.8                                   |
| 180                   | 23136 CC/W33        | 182   | 190         | 150 | 178 | 195 | 156 | 44  | 94  | 2.5 | 2.5 | 195                  | 14  | 12      | 12 x 35                       | 1.1                                   |
|                       | 24136 CC/W33        | 182   | 190         | 150 | 178 | 195 | 165 | 36  | 116 | 2.5 | 2   | 195                  | 14  | 12      | 12 x 35                       | 1.1                                   |
|                       | 22236 CC/W33        | 182   | 195         | 140 | 178 | 200 | 143 | 40  | 84  | 4   | 3   | 200                  | 18  | 16      | 16 x 45                       | 1.3                                   |
|                       | 23236 CC/W33        | 182   | 190         | 150 | 178 | 200 | 171 | 42  | 110 | 2.5 | 3   | 200                  | 14  | 12      | 12 x 35                       | 1.5                                   |
|                       | 22336 CC/W33        | 182   | 195         | 140 | 178 | 200 | 196 | 50  | 124 | 4   | 3   | 200                  | 18  | 16      | 16 x 45                       | 3.1                                   |
| 190                   | 23138 CC/W33        | 192   | 200         | 160 | 188 | 205 | 167 | 46  | 102 | 2.5 | 2.5 | 210                  | 14  | 12      | 12 x 35                       | 1.4                                   |
|                       | 24138 CC/W33        | 192   | 200         | 160 | 188 | 205 | 178 | 37  | 126 | 2.5 | 2.5 | 210                  | 14  | 12      | 12 x 35                       | 1.4                                   |
|                       | 22238 CC/W33        | 192   | 205         | 150 | 188 | 210 | 146 | 40  | 90  | 4   | 3   | 210                  | 18  | 16      | 16 x 45                       | 1.4                                   |
|                       | 23238 CC/W33        | 192   | 205         | 160 | 188 | 210 | 183 | 45  | 118 | 4   | 3   | 210                  | 14  | 12      | 12 x 35                       | 1.9                                   |
|                       | 22338 CC/W33        | 192   | 205         | 150 | 188 | 210 | 209 | 56  | 129 | 4   | 4   | 210                  | 18  | 16      | 16 x 45                       | 3.7                                   |
| 200                   | 23040 CC/W33        | 202   | 215         | 160 | 198 | 215 | 135 | 40  | 80  | 4   | 2   | 215                  | 18  | 16      | 16 x 45                       | 0.8                                   |
|                       | 24040 CC/W33        | 202   | 215         | 170 | 198 | 215 | 162 | 38  | 107 | 4   | 2   | 215                  | 14  | 12      | 12 x 35                       | 1.1                                   |
|                       | 23140 CC/W33        | 202   | 215         | 170 | 198 | 215 | 179 | 48  | 110 | 4   | 2.5 | 220                  | 14  | 12      | 12 x 35                       | 1.7                                   |
|                       | 24140 CC/W33        | 202   | 215         | 170 | 198 | 215 | 192 | 39  | 138 | 4   | 2.5 | 220                  | 14  | 12      | 12 x 35                       | 1.9                                   |
|                       | 22240 CC/W33        | 202   | 215         | 150 | 198 | 220 | 157 | 42  | 96  | 4   | 3   | 220                  | 22  | 20      | 20 x 55                       | 1.6                                   |
|                       | 23240 CC/W33        | 202   | 215         | 160 | 198 | 220 | 197 | 50  | 126 | 4   | 3   | 220                  | 18  | 16      | 16 x 45                       | 2.2                                   |
|                       | 22340 CC/W33        | 202   | 215         | 160 | 198 | 220 | 224 | 62  | 135 | 4   | 4   | 220                  | 18  | 16      | 16 x 45                       | 4.5                                   |
|                       | 220                 | 23044 CC/W33                                  | 222         | 235 | 180 | 218 | 235 | 145 | 40  | 88  | 4   | 2.5                  | 240 | 18      | 16                            | 16 x 45                               |
| 24044 CC/W33          | 222                 | 235   | 190         | 218 | 235 | 182 | 46  | 116 | 4   | 2.5 | 240 | 14                   | 12  | 12 x 35 | 1.6                           |                                       |
| 23144 CC/W33          | 222                 | 235   | 180         | 218 | 240 | 193 | 52  | 118 | 4   | 3   | 245 | 18                   | 16  | 16 x 45 | 2.1                           |                                       |
| 24144 CC/W33          | 222                 | 235   | 180         | 218 | 240 | 207 | 43  | 148 | 4   | 3   | 245 | 18                   | 16  | 16 x 45 | 2.1                           |                                       |
| 22244 CC/W33          | 222                 | 235   | 170         | 218 | 240 | 165 | 42  | 106 | 4   | 3   | 240 | 22                   | 20  | 20 x 55 | 2.0                           |                                       |
| 23244 CC/W33          | 222                 | 235   | 180         | 218 | 240 | 216 | 52  | 142 | 4   | 3   | 240 | 18                   | 16  | 16 x 45 | 3.2                           |                                       |
| 22344 CC/W33          | 222                 | 235   | 180         | 218 | 240 | 229 | 62  | 142 | 4   | 4   | 245 | 18                   | 16  | 16 x 45 | 4.9                           |                                       |

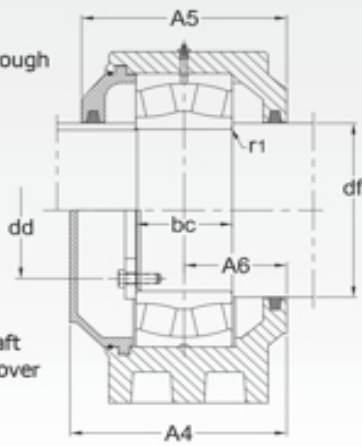
@ tolerance for db should be h6





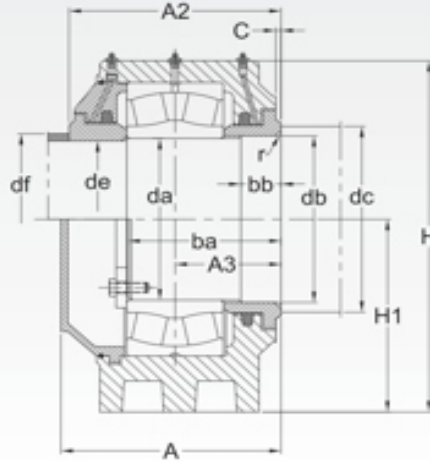
# SDG Plummer Block Housings For Spherical Roller Bearings With Cylindrical Bore (TYPE: G)

Type B:  
Housing for through  
shaft Locating  
bearing

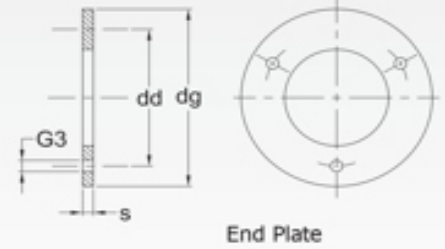


Housing with felt-seals

Type A:  
Housing for shaft  
end with end cover  
Non-locating  
bearing



Housing with labyrinth+felt seals

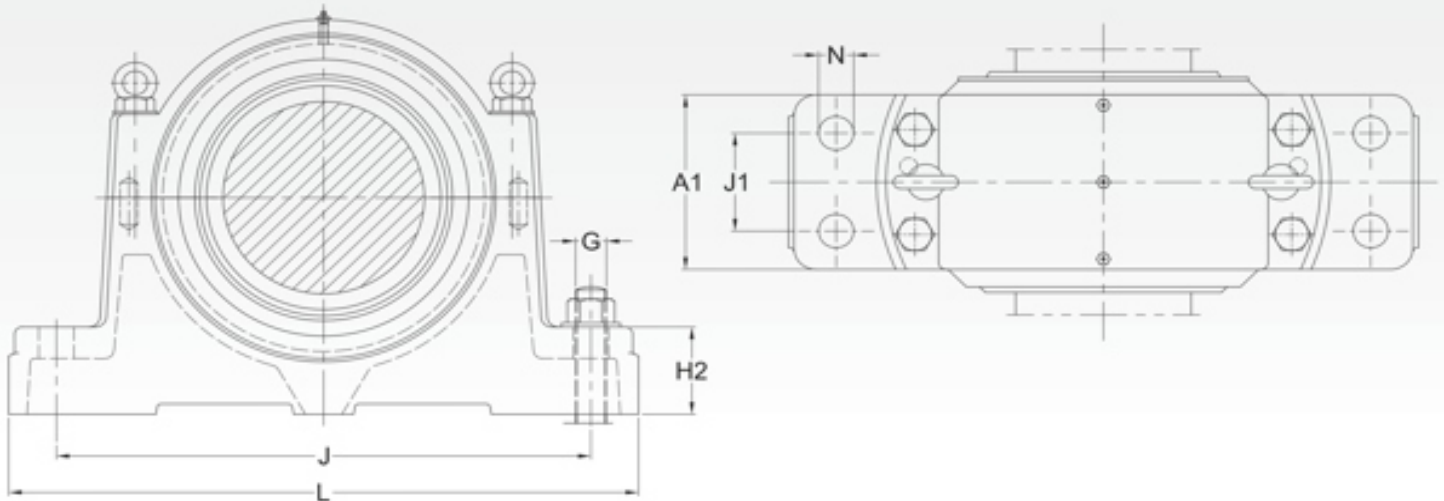


End Plate

| Shaft dia<br>da<br>mm | Housing Dimensions (in mm) |     |     |     |     |     |     |      |     |     |     |     |     |      |    |    | Masses (Approx) |         | Designation #<br>Housing of<br>Grey Cast Iron |
|-----------------------|----------------------------|-----|-----|-----|-----|-----|-----|------|-----|-----|-----|-----|-----|------|----|----|-----------------|---------|---|
|                       | A                          | A1  | A2  | A3  | A4  | A5  | A6  | C    | H   | H1  | H2  | J   | J1  | L    | N  | G  | Housing type    |         |   |
|                       | mm                         | mm  | mm  | mm  | mm  | mm  | mm  | mm   | mm  | mm  | mm  | mm  | mm  | mm   | mm | mm | mm              | A<br>kg |   |
| 240                   | 197                        | 140 | 194 | 97  | 194 | 188 | 94  | 6    | 387 | 210 | 85  | 490 | 70  | 580  | 28 | 24 | 60              | 65      | SDGC 3948 G                                   |
|                       | 220                        | 160 | 220 | 110 | 215 | 210 | 105 | 8    | 445 | 240 | 95  | 560 | 80  | 670  | 35 | 30 | 100             | 115     | SDGC 3048 G                                   |
|                       | 270                        | 210 | 270 | 135 | 265 | 260 | 130 | 8    | 475 | 260 | 105 | 610 | 120 | 720  | 42 | 36 | 175             | 180     | SDGC 4048 G                                   |
|                       | 298                        | 225 | 292 | 146 | 293 | 282 | 141 | 8    | 515 | 280 | 115 | 655 | 130 | 770  | 42 | 36 | 215             | 230     | SDGC 3148 G                                   |
|                       | 298                        | 225 | 292 | 146 | 293 | 282 | 141 | 8    | 515 | 280 | 115 | 655 | 130 | 770  | 42 | 36 | 230             | 240     | SDGC 4148 G                                   |
|                       | 270                        | 190 | 260 | 130 | 263 | 246 | 123 | 10   | 570 | 310 | 120 | 710 | 100 | 825  | 42 | 36 | 230             | 260     | SDGC 2248 G                                   |
|                       | 328                        | 250 | 316 | 158 | 323 | 306 | 153 | 8    | 565 | 310 | 125 | 730 | 140 | 860  | 48 | 42 | 295             | 310     | SDGC 3248 G                                   |
|                       | 360                        | 280 | 350 | 175 | 353 | 336 | 168 | 10   | 640 | 350 | 140 | 800 | 165 | 940  | 48 | 42 | 400             | 425     | SDGC 2348 G                                   |
| 260                   | 220                        | 160 | 220 | 110 | 215 | 210 | 105 | 8    | 445 | 240 | 95  | 560 | 80  | 670  | 35 | 30 | 100             | 110     | SDGC 3952 G                                   |
|                       | 233                        | 160 | 226 | 113 | 228 | 216 | 108 | 8    | 500 | 270 | 110 | 620 | 80  | 710  | 35 | 30 | 130             | 145     | SDGC 3052 G                                   |
|                       | 298                        | 225 | 292 | 146 | 293 | 282 | 141 | 8    | 515 | 280 | 115 | 655 | 130 | 770  | 42 | 36 | 215             | 220     | SDGC 4052 G                                   |
|                       | 328                        | 250 | 316 | 158 | 323 | 306 | 153 | 8    | 565 | 310 | 125 | 730 | 140 | 860  | 48 | 42 | 290             | 300     | SDGC 3152 G                                   |
|                       | 328                        | 250 | 316 | 158 | 323 | 306 | 153 | 8    | 565 | 310 | 125 | 730 | 140 | 860  | 48 | 42 | 300             | 310     | SDGC 4152 G                                   |
|                       | 280                        | 200 | 270 | 135 | 273 | 256 | 128 | 10   | 592 | 320 | 130 | 735 | 105 | 855  | 42 | 36 | 230             | 265     | SDGC 2252 G                                   |
|                       | 330                        | 250 | 320 | 160 | 323 | 306 | 153 | 10   | 585 | 320 | 130 | 750 | 145 | 880  | 48 | 42 | 280             | 300     | SDGC 3252 G                                   |
|                       | 384                        | 305 | 372 | 186 | 377 | 358 | 170 | 10   | 695 | 380 | 155 | 900 | 170 | 1060 | 56 | 48 | 530             | 560     | SDGC 2352 G                                   |
| 280                   | 220                        | 160 | 220 | 110 | 215 | 210 | 105 | 8    | 445 | 240 | 95  | 560 | 80  | 670  | 35 | 30 | 85              | 95      | SDGC 3956 G                                   |
|                       | 244                        | 165 | 232 | 116 | 239 | 222 | 111 | 8.5  | 520 | 280 | 115 | 635 | 80  | 730  | 35 | 30 | 140             | 155     | SDGC 3056 G                                   |
|                       | 328                        | 250 | 316 | 158 | 323 | 306 | 153 | 8    | 565 | 310 | 125 | 730 | 140 | 860  | 48 | 42 | 310             | 320     | SDGC 4056 G                                   |
|                       | 330                        | 250 | 320 | 160 | 323 | 306 | 153 | 10   | 585 | 320 | 130 | 750 | 145 | 880  | 48 | 42 | 305             | 315     | SDGC 3156 G                                   |
|                       | 330                        | 250 | 320 | 160 | 323 | 306 | 153 | 10   | 585 | 320 | 130 | 750 | 145 | 880  | 48 | 42 | 315             | 325     | SDGC 4156 G                                   |
|                       | 290                        | 210 | 280 | 140 | 283 | 266 | 133 | 10   | 646 | 350 | 140 | 780 | 110 | 900  | 42 | 36 | 310             | 345     | SDGC 2256 G                                   |
|                       | 360                        | 280 | 350 | 175 | 353 | 336 | 168 | 10   | 640 | 350 | 140 | 800 | 165 | 940  | 48 | 42 | 395             | 415     | SDGC 3256 G                                   |
|                       | 420                        | 340 | 400 | 200 | 412 | 384 | 192 | 11   | 750 | 410 | 165 | 940 | 195 | 1110 | 56 | 48 | 650             | 690     | SDGC 2356 G                                   |
| 300                   | 244                        | 165 | 232 | 116 | 239 | 222 | 111 | 8.5  | 520 | 280 | 115 | 635 | 80  | 730  | 35 | 30 | 135             | 145     | SDGC 3960 G                                   |
|                       | 270                        | 190 | 260 | 130 | 263 | 246 | 123 | 10   | 570 | 310 | 120 | 710 | 100 | 825  | 42 | 36 | 200             | 220     | SDGC 3060 G                                   |
|                       | 330                        | 250 | 320 | 160 | 323 | 306 | 153 | 10   | 585 | 320 | 130 | 750 | 145 | 880  | 48 | 42 | 300             | 310     | SDGC 4060 G                                   |
|                       | 360                        | 280 | 350 | 175 | 353 | 336 | 168 | 10   | 640 | 350 | 140 | 800 | 165 | 940  | 48 | 42 | 390             | 410     | SDGC 3160 G                                   |
|                       | 360                        | 280 | 350 | 175 | 353 | 336 | 168 | 10   | 640 | 350 | 140 | 800 | 165 | 940  | 48 | 42 | 410             | 430     | SDGC 4160 G                                   |
|                       | 299                        | 220 | 288 | 144 | 292 | 274 | 137 | 10.5 | 665 | 360 | 145 | 840 | 110 | 970  | 48 | 42 | 340             | 360     | SDGC 2260 G                                   |
|                       | 384                        | 305 | 372 | 186 | 377 | 358 | 179 | 10   | 695 | 380 | 155 | 900 | 170 | 1060 | 56 | 48 | 520             | 545     | SDGC 3260 G                                   |

#) The designation denotes a housing with labyrinth seals. A housing with felt seal is designated by suffix H, e.g. SDGC 2328 H





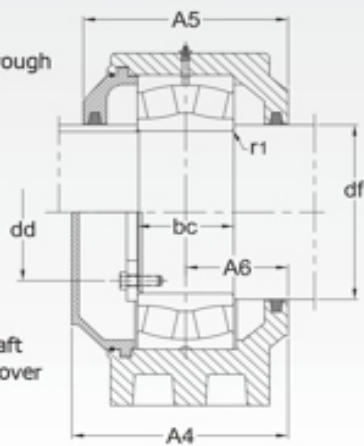
| Shaft dia<br>da<br>mm | Appropriate Bearing | Shaft seating, abutment and fillet dimensions |             |     |     |     |     |    |     |   |     | End plate Dimensions |    |    | Attachment bolts<br>(3 bolts) | Grease quantity<br>initial fill<br>kg |
|-----------------------|---------------------|---|-------------|-----|-----|-----|-----|----|-----|---|-----|----------------------|----|----|-------------------------------|---------------------------------------|
|                       |                     | db @<br>mm                                    | dc<br>(min) | dd  | de  | df  | ba  | bb | bc  | r | r1  | dg                   | G3 | s  |                               |                                       |
| 240                   | 23948 CC/W33        | 242   | 255         | 200 | 238 | 255 | 125 | 45 | 58  | 4 | 2   | 255                  | 18 | 16 | 16 X 45                       | 0.7                                   |
|                       | 23048 CC/W33        | 242   | 255         | 190 | 238 | 255 | 152 | 45 | 90  | 4 | 2.5 | 260                  | 22 | 20 | 20 X 55                       | 1.2                                   |
|                       | 24048 CC/W33        | 242   | 255         | 200 | 238 | 255 | 192 | 54 | 116 | 4 | 2.5 | 255                  | 18 | 16 | 16 X 45                       | 1.7                                   |
|                       | 23148 CC/W33        | 242   | 255         | 200 | 238 | 260 | 208 | 58 | 126 | 4 | 3   | 265                  | 18 | 16 | 16 X 45                       | 2.8                                   |
|                       | 24148 CC/W33        | 242   | 255         | 200 | 238 | 260 | 224 | 46 | 158 | 4 | 3   | 265                  | 18 | 16 | 16 X 45                       | 3.0                                   |
|                       | 22248 CC/W33        | 242   | 255         | 190 | 238 | 260 | 188 | 50 | 118 | 4 | 3   | 260                  | 22 | 20 | 20 X 55                       | 2.8                                   |
|                       | 23248 CC/W33        | 242   | 255         | 200 | 238 | 260 | 236 | 54 | 158 | 4 | 3   | 260                  | 18 | 16 | 16 X 45                       | 4.0                                   |
|                       | 22348 CC/W33        | 242   | 255         | 190 | 238 | 260 | 249 | 68 | 152 | 4 | 4   | 265                  | 22 | 20 | 20 X 55                       | 5.8                                   |
| 260                   | 23952 CAC/W33       | 262   | 275         | 210 | 258 | 280 | 145 | 50 | 73  | 4 | 2   | 275                  | 22 | 20 | 20 X 55                       | 1.0                                   |
|                       | 23052 CC/W33        | 262   | 275         | 210 | 258 | 280 | 162 | 45 | 102 | 4 | 3   | 285                  | 22 | 20 | 20 X 55                       | 1.6                                   |
|                       | 24052 CC/W33        | 262   | 275         | 220 | 258 | 280 | 214 | 54 | 138 | 4 | 3   | 285                  | 18 | 16 | 16 X 45                       | 2.4                                   |
|                       | 23152 CC/W33        | 262   | 275         | 220 | 258 | 280 | 228 | 60 | 142 | 4 | 3   | 285                  | 18 | 16 | 16 X 45                       | 3.8                                   |
|                       | 24152 CC/W33        | 262   | 275         | 220 | 258 | 280 | 245 | 47 | 178 | 4 | 3   | 285                  | 18 | 16 | 16 X 45                       | 4.2                                   |
|                       | 22252 CAC/W33       | 262   | 275         | 210 | 258 | 290 | 197 | 50 | 127 | 4 | 4   | 285                  | 22 | 20 | 20 X 55                       | 3.2                                   |
|                       | 23252 CAC/W33       | 262   | 275         | 210 | 258 | 290 | 244 | 52 | 170 | 4 | 4   | 285                  | 22 | 20 | 20 X 55                       | 5.1                                   |
|                       | 22352 CC/W33        | 262   | 275         | 210 | 258 | 290 | 264 | 72 | 161 | 4 | 5   | 290                  | 22 | 20 | 20 X 55                       | 7.5                                   |
| 280                   | 23956 CC/W33        | 282   | 295         | 230 | 278 | 300 | 145 | 50 | 73  | 4 | 2   | 295                  | 22 | 20 | 20 X 55                       | 1.0                                   |
|                       | 23056 CC/W33        | 282   | 295         | 230 | 278 | 300 | 167 | 45 | 104 | 4 | 3   | 305                  | 22 | 20 | 20 X 55                       | 1.7                                   |
|                       | 24056 CC/W33        | 282   | 295         | 240 | 278 | 300 | 226 | 62 | 138 | 4 | 3   | 305                  | 18 | 16 | 16 X 45                       | 2.8                                   |
|                       | 23156 CC/W33        | 282   | 295         | 240 | 278 | 310 | 230 | 60 | 143 | 4 | 4   | 305                  | 18 | 16 | 16 X 45                       | 3.9                                   |
|                       | 24156 CC/W33        | 282   | 295         | 240 | 278 | 310 | 247 | 48 | 177 | 4 | 4   | 305                  | 18 | 16 | 16 X 45                       | 3.9                                   |
|                       | 22256 CAC/W33       | 282   | 295         | 220 | 278 | 310 | 202 | 52 | 127 | 4 | 4   | 305                  | 26 | 24 | 24 X 65                       | 3.4                                   |
|                       | 23256 CAC/W33       | 282   | 295         | 230 | 278 | 310 | 260 | 60 | 173 | 4 | 4   | 305                  | 22 | 20 | 20 X 55                       | 5.7                                   |
|                       | 22356 CC/W33        | 282   | 295         | 220 | 278 | 310 | 283 | 80 | 171 | 4 | 5   | 310                  | 26 | 24 | 24 X 65                       | 9.5                                   |
| 300                   | 23960 CC/W33        | 302   | 315         | 250 | 298 | 320 | 158 | 50 | 88  | 4 | 2.5 | 320                  | 22 | 20 | 20 X 55                       | 1.2                                   |
|                       | 23060 CC/W33        | 302   | 315         | 250 | 298 | 320 | 187 | 50 | 116 | 4 | 3   | 325                  | 22 | 20 | 20 X 55                       | 2.7                                   |
|                       | 24060 CC/W33        | 302   | 315         | 260 | 298 | 320 | 238 | 56 | 158 | 4 | 3   | 325                  | 18 | 16 | 16 X 45                       | 3.6                                   |
|                       | 23160 CC/W33        | 302   | 315         | 250 | 298 | 330 | 252 | 68 | 157 | 4 | 4   | 325                  | 22 | 20 | 20 X 55                       | 5.6                                   |
|                       | 24160 CC/W33        | 302   | 315         | 250 | 298 | 330 | 272 | 54 | 197 | 4 | 4   | 325                  | 22 | 20 | 20 X 55                       | 5.8                                   |
|                       | 22260 CAC/W33       | 302   | 315         | 240 | 298 | 330 | 211 | 52 | 137 | 4 | 4   | 325                  | 26 | 24 | 24 x 65                       | 4.3                                   |
|                       | 23260 CAC/W33       | 302   | 315         | 250 | 298 | 330 | 279 | 64 | 189 | 4 | 4   | 325                  | 22 | 20 | 20 X 55                       | 7.8                                   |

@ tolerance for db should be h6



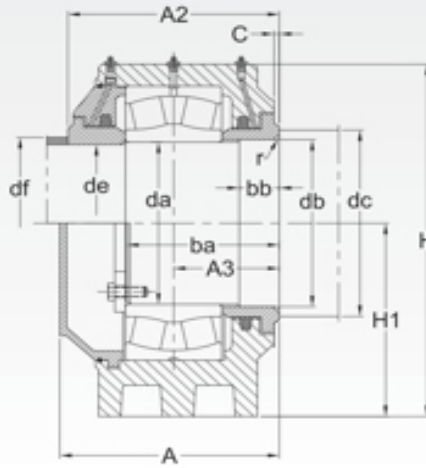
# SDG Plummer Block Housings For Spherical Roller Bearings With Cylindrical Bore (TYPE: G)

Type BF:  
Housing for through  
shaft Locating  
bearing

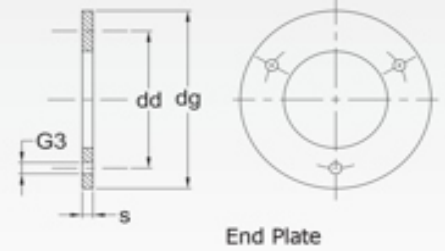


Housing with felt-seals

Type AL:  
Housing for shaft  
end with end cover  
Non-locating  
bearing



Housing with labyrinth+felt seals

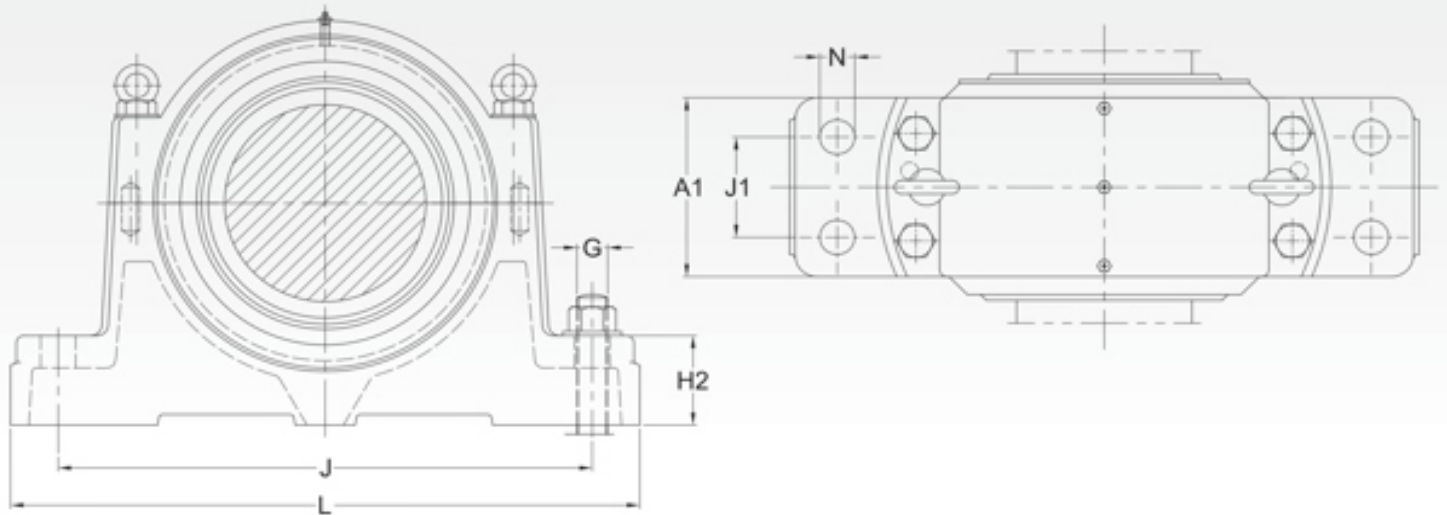


End Plate

| Shaft dia<br>da<br>mm | Housing Dimensions (in mm) |     |     |     |     |     |     |      |     |     |     |      |     |      |    |    | Masses (Approx) |         | Designation #<br>Housing of<br>Grey Cast Iron |
|-----------------------|----------------------------|-----|-----|-----|-----|-----|-----|------|-----|-----|-----|------|-----|------|----|----|-----------------|---------|---|
|                       | A                          | A1  | A2  | A3  | A4  | A5  | A6  | C    | H   | H1  | H2  | J    | J1  | L    | N  | G  | Housing type    |         |   |
|                       | mm                         | mm  | mm  | mm  | mm  | mm  | mm  | mm   | mm  | mm  | mm  | mm   | mm  | mm   | mm | mm | mm              | A<br>kg |   |
| 320                   | 244                        | 165 | 232 | 116 | 239 | 222 | 111 | 8.5  | 520 | 280 | 115 | 635  | 80  | 730  | 35 | 30 | 115             | 125     | SDGC 3964 G                                   |
|                       | 280                        | 200 | 270 | 135 | 273 | 256 | 128 | 10   | 592 | 320 | 130 | 735  | 105 | 855  | 42 | 36 | 220             | 240     | SDGC 3064 G                                   |
|                       | 330                        | 250 | 320 | 160 | 323 | 306 | 153 | 10   | 585 | 320 | 130 | 750  | 145 | 880  | 48 | 42 | 270             | 280     | SDGC 4064 G                                   |
|                       | 384                        | 305 | 372 | 186 | 377 | 358 | 179 | 10   | 695 | 380 | 155 | 900  | 170 | 1060 | 56 | 48 | 520             | 540     | SDGC 3164 G                                   |
|                       | 384                        | 305 | 372 | 186 | 377 | 358 | 179 | 10   | 695 | 380 | 155 | 900  | 170 | 1060 | 56 | 48 | 540             | 560     | SDGC 4164 G                                   |
|                       | 320                        | 240 | 300 | 150 | 312 | 284 | 142 | 11   | 740 | 400 | 160 | 920  | 120 | 1060 | 56 | 48 | 475             | 500     | SDGC 2264 G                                   |
|                       | 420                        | 340 | 400 | 200 | 412 | 384 | 192 | 11   | 750 | 410 | 165 | 940  | 195 | 1110 | 56 | 48 | 640             | 670     | SDGC 3264 G                                   |
| 340                   | 270                        | 190 | 260 | 130 | 263 | 246 | 123 | 10   | 570 | 310 | 120 | 710  | 100 | 825  | 42 | 36 | 195             | 210     | SDGC 3968 G                                   |
|                       | 290                        | 210 | 280 | 140 | 283 | 266 | 133 | 10   | 646 | 350 | 140 | 780  | 110 | 900  | 42 | 36 | 280             | 300     | SDGC 3068 G                                   |
|                       | 360                        | 280 | 350 | 175 | 353 | 336 | 168 | 10   | 640 | 350 | 140 | 800  | 165 | 940  | 48 | 42 | 350             | 365     | SDGC 4068 G                                   |
|                       | 420                        | 340 | 400 | 200 | 412 | 384 | 192 | 11   | 750 | 410 | 165 | 940  | 195 | 1110 | 56 | 48 | 630             | 665     | SDGC 3168 G                                   |
|                       | 420                        | 340 | 400 | 200 | 412 | 384 | 192 | 11   | 750 | 410 | 165 | 940  | 195 | 1110 | 56 | 48 | 650             | 665     | SDGC 4168 G                                   |
|                       | 425                        | 340 | 400 | 200 | 418 | 386 | 193 | 11   | 790 | 430 | 175 | 1010 | 195 | 1190 | 66 | 56 | 740             | 770     | SDGC 3248 G                                   |
| 360                   | 280                        | 200 | 270 | 135 | 273 | 256 | 128 | 10   | 592 | 320 | 130 | 735  | 105 | 855  | 42 | 36 | 205             | 220     | SDGC 3972 G                                   |
|                       | 299                        | 220 | 288 | 144 | 292 | 274 | 137 | 10.5 | 665 | 360 | 145 | 840  | 110 | 970  | 48 | 42 | 320             | 340     | SDGC 3072 G                                   |
|                       | 384                        | 305 | 372 | 186 | 377 | 358 | 179 | 10   | 695 | 380 | 155 | 900  | 170 | 1060 | 56 | 48 | 500             | 520     | SDGC 4072 G                                   |
|                       | 420                        | 340 | 400 | 200 | 412 | 384 | 192 | 11   | 750 | 410 | 165 | 940  | 195 | 1110 | 56 | 48 | 610             | 625     | SDGC 3172 G                                   |
|                       | 420                        | 340 | 400 | 200 | 413 | 386 | 193 | 11   | 790 | 430 | 175 | 1010 | 195 | 1190 | 66 | 56 | 745             | 760     | SDGC 4172 G                                   |
|                       | 437                        | 350 | 414 | 207 | 429 | 398 | 199 | 12   | 825 | 450 | 180 | 1040 | 200 | 1230 | 66 | 56 | 850             | 880     | SDGC 3272 G                                   |
| 380                   | 290                        | 210 | 280 | 140 | 283 | 266 | 133 | 10   | 646 | 350 | 140 | 780  | 110 | 900  | 42 | 36 | 260             | 275     | SDGC 3976 G                                   |
|                       | 309                        | 230 | 298 | 149 | 302 | 284 | 142 | 10.5 | 685 | 370 | 150 | 870  | 110 | 1000 | 48 | 42 | 340             | 360     | SDGC 3076 G                                   |
|                       | 384                        | 305 | 372 | 186 | 377 | 358 | 179 | 10   | 695 | 380 | 155 | 900  | 170 | 1060 | 56 | 48 | 460             | 475     | SDGC 4076 G                                   |
|                       | 425                        | 340 | 400 | 200 | 418 | 386 | 193 | 11   | 790 | 430 | 175 | 1010 | 195 | 1190 | 66 | 56 | 730             | 755     | SDGC 3176 G                                   |
|                       | 425                        | 340 | 400 | 200 | 418 | 386 | 193 | 11   | 790 | 430 | 175 | 1010 | 195 | 1190 | 66 | 56 | 710             | 725     | SDGC 4176 G                                   |
|                       | 479                        | 390 | 458 | 229 | 469 | 438 | 219 | 14   | 895 | 490 | 200 | 1110 | 225 | 1300 | 66 | 56 | 1100            | 1150    | SDGC 3276 G                                   |
| 400                   | 299                        | 220 | 288 | 144 | 292 | 274 | 137 | 10.5 | 665 | 360 | 145 | 840  | 110 | 970  | 48 | 42 | 305             | 320     | SDGC 3980 G                                   |
|                       | 320                        | 240 | 300 | 150 | 312 | 284 | 142 | 11   | 740 | 400 | 160 | 920  | 120 | 1060 | 56 | 48 | 435             | 460     | SDGC 3080 G                                   |
|                       | 420                        | 340 | 400 | 200 | 412 | 384 | 192 | 11   | 750 | 410 | 165 | 940  | 195 | 1110 | 56 | 48 | 620             | 635     | SDGC 4080 G                                   |
|                       | 437                        | 350 | 414 | 207 | 429 | 398 | 199 | 12   | 825 | 450 | 180 | 1040 | 200 | 1230 | 66 | 56 | 840             | 865     | SDGC 3180 G                                   |
|                       | 437                        | 350 | 414 | 207 | 429 | 398 | 199 | 12   | 825 | 450 | 180 | 1040 | 200 | 1230 | 66 | 56 | 860             | 880     | SDGC 4180 G                                   |
|                       | 484                        | 390 | 458 | 229 | 474 | 438 | 219 | 14   | 945 | 500 | 150 | 1160 | 225 | 1370 | 74 | 64 | 1050            | 1050    | SDGC 3280 G                                   |

#) The designation denotes a housing with labyrinth seals. A housing with felt seal is designated by suffix H, e.g. SDGC 2328 H





| Shaft dia<br>da<br>mm | Appropriate Bearing | Shaft seating, abutment and fillet dimensions |             |     |     |     |     |     |     |     |     | End plate Dimensions |     |    | Attachment bolts<br>(3 bolts) | Grease quantity<br>initial fill<br>kg |
|-----------------------|---------------------|---|-------------|-----|-----|-----|-----|-----|-----|-----|-----|----------------------|-----|----|-------------------------------|---------------------------------------|
|                       |                     | db @<br>mm                                    | dc<br>(min) | dd  | de  | df  | ba  | bb  | bc  | r   | r1  | dg                   | G3  | s  |                               |                                       |
| 320                   | 23964 CAC/W33       | 322   | 335         | 270 | 318 | 340 | 158 | 50  | 88  | 4   | 2.5 | 340                  | 22  | 20 | 20 X 55                       | 1.4                                   |
|                       | 23064 CC/W33        | 322   | 340         | 270 | 318 | 340 | 192 | 50  | 119 | 6   | 3   | 345                  | 22  | 20 | 20 X 55                       | 2.7                                   |
|                       | 24064 CC/W33        | 322   | 335         | 280 | 318 | 340 | 238 | 56  | 158 | 4   | 3   | 345                  | 18  | 16 | 16 X 45                       | 4.1                                   |
|                       | 23164 CC/W33        | 322   | 340         | 270 | 318 | 350 | 271 | 68  | 173 | 6   | 4   | 345                  | 22  | 20 | 20 X 55                       | 7.0                                   |
|                       | 24164 CC/W33        | 322   | 340         | 270 | 318 | 350 | 292 | 54  | 215 | 6   | 4   | 350                  | 22  | 20 | 20 X 55                       | 5.7                                   |
|                       | 22264 CAC/W33       | 322   | 340         | 260 | 318 | 350 | 222 | 52  | 147 | 6   | 4   | 345                  | 26  | 24 | 24 X 65                       | 6.1                                   |
|                       | 23264 CAC/W33       | 322   | 340         | 260 | 318 | 350 | 300 | 68  | 205 | 6   | 4   | 345                  | 26  | 24 | 24 X 65                       | 10.0                                  |
| 340                   | 23968 CC/W33        | 342   | 355         | 290 | 338 | 370 | 172 | 62  | 88  | 4   | 2.5 | 360                  | 22  | 20 | 20 X 55                       | 1.5                                   |
|                       | 23068 CC/W33        | 342   | 360         | 280 | 338 | 370 | 204 | 50  | 130 | 6   | 4   | 370                  | 26  | 24 | 24 X 65                       | 3.0                                   |
|                       | 24068 CC/W33        | 342   | 355         | 290 | 338 | 370 | 262 | 60  | 177 | 4   | 4   | 370                  | 22  | 20 | 20 X 55                       | 4.9                                   |
|                       | 23168 CC/W33        | 342   | 360         | 280 | 338 | 370 | 292 | 74  | 187 | 6   | 4   | 370                  | 26  | 24 | 24 X 65                       | 9.0                                   |
|                       | 24168 ECAC/W33      | 342   | 360         | 280 | 338 | 370 | 318 | 57  | 240 | 6   | 4   | 370                  | 26  | 24 | 24 X 65                       | 7.2                                   |
|                       | 23268 CA/W33        | 342   | 360         | 280 | 338 | 370 | 308 | 62  | 220 | 6   | 5   | 370                  | 26  | 24 | 24 X 65                       | 11.5                                  |
| 360                   | 23972 CAC/W33       | 362   | 380         | 310 | 358 | 390 | 176 | 62  | 88  | 6   | 2.5 | 380                  | 22  | 20 | 20 X 55                       | 2.1                                   |
|                       | 23072 CC/W33        | 362   | 380         | 300 | 358 | 390 | 208 | 50  | 131 | 6   | 4   | 390                  | 26  | 24 | 24 X 65                       | 3.5                                   |
|                       | 24072 CC/W33        | 362   | 380         | 310 | 358 | 390 | 273 | 68  | 177 | 6   | 4   | 390                  | 22  | 20 | 20 X 55                       | 5.8                                   |
|                       | 23172 CAC/W33       | 362   | 380         | 300 | 358 | 390 | 293 | 74  | 189 | 6   | 4   | 390                  | 26  | 24 | 24 X 65                       | 9.4                                   |
|                       | 24172 ECC/W33       | 362   | 380         | 300 | 358 | 390 | 318 | 54  | 240 | 6   | 4   | 390                  | 26  | 24 | 24 X 65                       | 7.9                                   |
|                       | 23272 CA/W33        | 362   | 380         | 300 | 358 | 390 | 319 | 64  | 228 | 6   | 5   | 390                  | 26  | 24 | 24 X 65                       | 12.5                                  |
|                       | 380                 | 23976 CC/W33                                  | 382         | 400 | 320 | 378 | 410 | 190 | 60  | 104 | 6   | 3                    | 405 | 26 | 24                            | 24 X 65                               |
| 23076 CC/W33          |                     | 382   | 400         | 320 | 378 | 410 | 214 | 54  | 132 | 6   | 4   | 410                  | 26  | 24 | 24 X 65                       | 4.0                                   |
| 24076 CC/W33          |                     | 382   | 400         | 330 | 378 | 410 | 273 | 68  | 177 | 6   | 4   | 410                  | 22  | 20 | 20 X 55                       | 6.2                                   |
| 23176 CA/W33          |                     | 382   | 400         | 320 | 378 | 410 | 294 | 74  | 191 | 6   | 4   | 410                  | 26  | 24 | 24 X 65                       | 10.0                                  |
| 24176 ECA/W33         |                     | 382   | 400         | 320 | 378 | 410 | 318 | 54  | 240 | 6   | 4   | 410                  | 26  | 24 | 24 X 65                       | 8.0                                   |
| 23276 CA/W33          |                     | 382   | 400         | 305 | 378 | 410 | 345 | 76  | 236 | 6   | 5   | 410                  | 33  | 30 | 30 X 80                       | 15.5                                  |
| 400                   | 23980 CAC/W33       | 402   | 420         | 340 | 398 | 430 | 194 | 62  | 104 | 6   | 3   | 425                  | 26  | 24 | 24 X 65                       | 2.6                                   |
|                       | 23080 CAC/W33       | 402   | 420         | 340 | 398 | 430 | 220 | 55  | 145 | 6   | 4   | 430                  | 26  | 24 | 24 X 65                       | 4.8                                   |
|                       | 24080 CAC/W33       | 402   | 420         | 340 | 398 | 430 | 297 | 70  | 197 | 6   | 4   | 430                  | 26  | 24 | 24 X 65                       | 7.3                                   |
|                       | 23180 CA/W33        | 402   | 420         | 340 | 398 | 430 | 303 | 75  | 196 | 6   | 5   | 430                  | 26  | 24 | 24 X 65                       | 10.5                                  |
|                       | 24180 ECA/W33       | 402   | 420         | 340 | 398 | 430 | 329 | 58  | 246 | 6   | 5   | 430                  | 26  | 24 | 24 X 65                       | 9.2                                   |
|                       | 23280 CA/W33        | 402   | 420         | 325 | 398 | 430 | 353 | 76  | 252 | 6   | 5   | 430                  | 33  | 30 | 30 X 80                       | 17.5                                  |

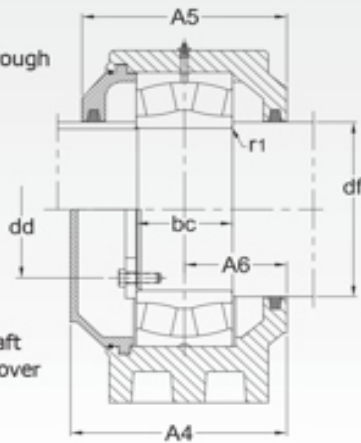
@ tolerance for db should be h6





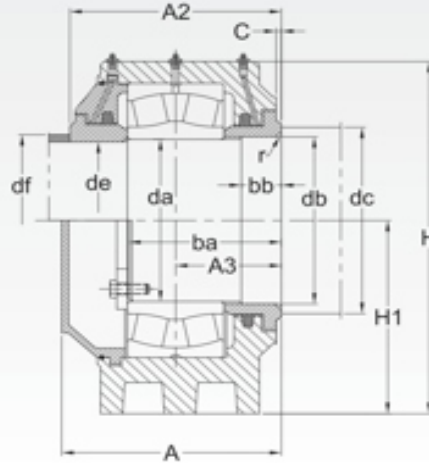
# SDG Plummer Block Housings For Spherical Roller Bearings With Cylindrical Bore (TYPE: G)

Type BF:  
Housing for through  
shaft Locating  
bearing

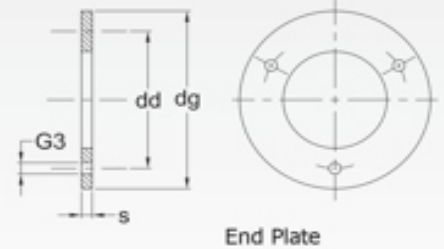


Housing with felt-seals

Type AL:  
Housing for shaft  
end with end cover  
Non-locating  
bearing



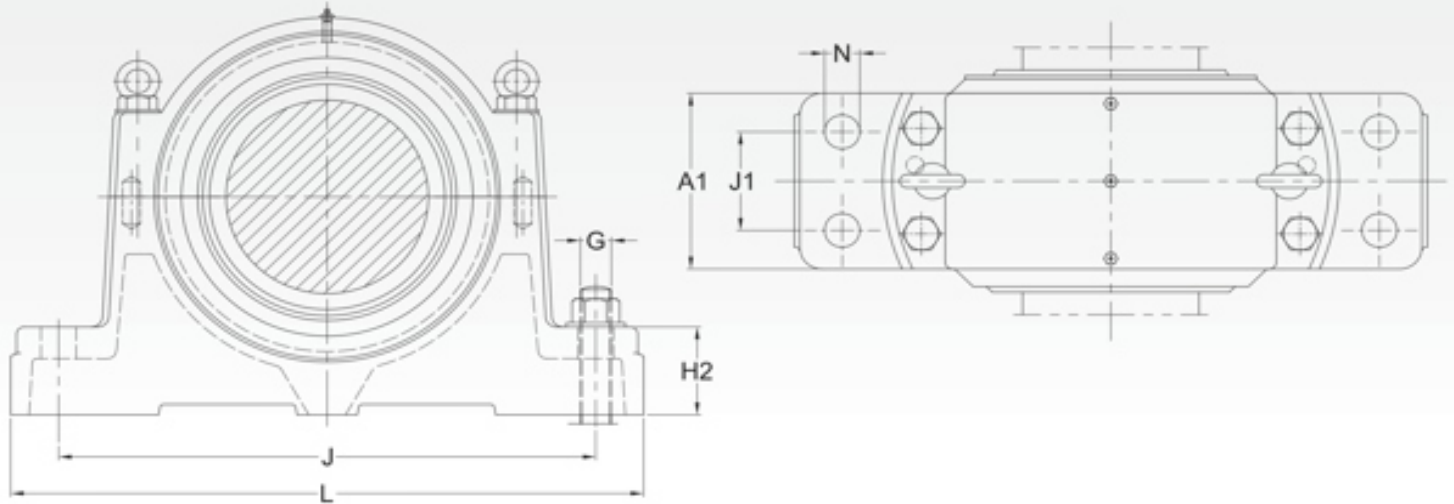
Housing with labyrinth+felt seals



End Plate

| Shaft dia<br>da<br>mm | Housing Dimensions (in mm) |     |     |     |     |     |     |      |      |     |     |      |     |      |    |        | Masses (Approx) |         | Designation #<br>Housing of<br>Grey Cast Iron |
|-----------------------|----------------------------|-----|-----|-----|-----|-----|-----|------|------|-----|-----|------|-----|------|----|--------|-----------------|---------|---|
|                       | A                          | A1  | A2  | A3  | A4  | A5  | A6  | C    | H    | H1  | H2  | J    | J1  | L    | N  | G      | Housing type    |         |   |
|                       | mm                         | mm  | mm  | mm  | mm  | mm  | mm  | mm   | mm   | mm  | mm  | mm   | mm  | mm   | mm | mm     | mm              | A<br>kg |   |
| 420                   | 309                        | 230 | 298 | 149 | 302 | 284 | 142 | 10.5 | 685  | 370 | 150 | 870  | 110 | 1000 | 48 | 42     | 320             | 335     | SDGC 3984 G                                   |
|                       | 325                        | 240 | 300 | 150 | 318 | 286 | 143 | 11   | 760  | 410 | 165 | 960  | 120 | 1130 | 56 | 48     | 450             | 475     | SDGC 3084 G                                   |
|                       | 425                        | 340 | 400 | 200 | 418 | 386 | 193 | 11   | 790  | 430 | 175 | 1010 | 195 | 1190 | 66 | 56     | 710             | 725     | SDGC 4084 G                                   |
|                       | 479                        | 390 | 458 | 229 | 469 | 438 | 219 | 14   | 895  | 490 | 200 | 1110 | 225 | 1300 | 66 | 56     | 1100            | 1100    | SDGC 3184 G                                   |
|                       | 479                        | 390 | 458 | 229 | 469 | 438 | 219 | 14   | 895  | 490 | 200 | 1110 | 225 | 1300 | 66 | 56     | 1050            | 1100    | SDGC 4184 G                                   |
|                       | 508                        | 420 | 486 | 243 | 496 | 462 | 231 | 16   | 1005 | 530 | 160 | 1270 | 240 | 1500 | 82 | 72 x 6 | 1300            | 1300    | SDGC 3284 G                                   |
| 440                   | 320                        | 240 | 300 | 150 | 312 | 284 | 142 | 11   | 740  | 400 | 160 | 920  | 120 | 1060 | 56 | 48     | 415             | 430     | SDGC 3988 G                                   |
|                       | 347                        | 260 | 324 | 162 | 339 | 308 | 154 | 12   | 800  | 430 | 170 | 1000 | 130 | 1160 | 56 | 48     | 500             | 540     | SDGC 3088 G                                   |
|                       | 437                        | 350 | 414 | 207 | 429 | 398 | 199 | 12   | 825  | 450 | 180 | 1040 | 200 | 1230 | 66 | 56     | 820             | 835     | SDGC 4088 G                                   |
|                       | 484                        | 390 | 458 | 229 | 474 | 438 | 219 | 14   | 945  | 500 | 150 | 1160 | 225 | 1370 | 74 | 64     | 1050            | 1050    | SDGC 3188 G                                   |
|                       | 484                        | 390 | 458 | 229 | 474 | 438 | 219 | 14   | 945  | 500 | 150 | 1160 | 225 | 1370 | 74 | 64     | 1050            | 1050    | SDGC 4188 G                                   |
|                       | 518                        | 430 | 496 | 248 | 506 | 472 | 236 | 16   | 1045 | 550 | 165 | 1300 | 245 | 1530 | 82 | 72 x 6 | 1400            | 1400    | SDGC 3288 G                                   |
| 460                   | 325                        | 240 | 300 | 150 | 318 | 286 | 143 | 11   | 760  | 410 | 165 | 960  | 120 | 1130 | 56 | 48     | 430             | 445     | SDGC 3992 G                                   |
|                       | 369                        | 280 | 348 | 174 | 359 | 328 | 164 | 14   | 835  | 450 | 180 | 1070 | 130 | 1250 | 66 | 56     | 650             | 680     | SDGC 3092 G                                   |
|                       | 437                        | 350 | 414 | 207 | 429 | 398 | 199 | 12   | 825  | 450 | 180 | 1040 | 200 | 1230 | 66 | 56     | 730             | 750     | SDGC 4092 G                                   |
|                       | 508                        | 420 | 486 | 243 | 496 | 462 | 231 | 16   | 1005 | 530 | 160 | 1270 | 240 | 1500 | 82 | 72 x 6 | 1300            | 1300    | SDGC 3192 G                                   |
|                       | 508                        | 420 | 486 | 243 | 496 | 462 | 231 | 16   | 1005 | 530 | 160 | 1270 | 240 | 1500 | 82 | 72 x 6 | 1250            | 1300    | SDGC 4192 G                                   |
|                       | 558                        | 460 | 526 | 263 | 546 | 502 | 251 | 16   | 1095 | 580 | 175 | 1350 | 260 | 1580 | 82 | 72 x 6 | 1650            | 1650    | SDGC 3292 G                                   |
| 480                   | 347                        | 260 | 324 | 162 | 339 | 308 | 154 | 12   | 800  | 430 | 170 | 1000 | 130 | 1160 | 56 | 48     | 490             | 505     | SDGC 3996 G                                   |
|                       | 379                        | 290 | 358 | 179 | 369 | 338 | 169 | 14   | 855  | 460 | 185 | 1080 | 140 | 1260 | 66 | 56     | 700             | 730     | SDGC 3096 G                                   |
|                       | 479                        | 390 | 458 | 229 | 469 | 438 | 219 | 14   | 895  | 490 | 200 | 1110 | 225 | 1300 | 66 | 56     | 1050            | 1050    | SDGC 4096 G                                   |
|                       | 518                        | 430 | 496 | 248 | 506 | 472 | 236 | 16   | 1045 | 550 | 165 | 1300 | 245 | 1530 | 82 | 72 x 6 | 1400            | 1400    | SDGC 3196 G                                   |
|                       | 518                        | 430 | 496 | 248 | 506 | 472 | 236 | 16   | 1045 | 550 | 165 | 1300 | 245 | 1530 | 82 | 72 x 6 | 1400            | 1400    | SDGC 4196 G                                   |
|                       | 560                        | 470 | 540 | 270 | 546 | 512 | 256 | 18   | 1130 | 600 | 180 | 1390 | 270 | 1620 | 82 | 72 x 6 | 1750            | 1800    | SDGC 3296 G                                   |
| 500                   | 347                        | 260 | 324 | 162 | 339 | 308 | 154 | 12   | 800  | 430 | 170 | 1000 | 130 | 1160 | 56 | 48     | 465             | 475     | SDGC 39/500 G                                 |
|                       | 384                        | 290 | 358 | 179 | 374 | 338 | 169 | 14   | 865  | 460 | 190 | 1100 | 140 | 1280 | 66 | 56     | 720             | 750     | SDGC 30/500 G                                 |
|                       | 484                        | 390 | 458 | 229 | 474 | 438 | 219 | 14   | 945  | 500 | 150 | 1160 | 225 | 1370 | 74 | 64     | 960             | 985     | SDGC 40/500 G                                 |
|                       | 558                        | 460 | 526 | 263 | 546 | 502 | 251 | 16   | 1095 | 580 | 175 | 1350 | 260 | 1580 | 82 | 72 x 6 | 1650            | 1700    | SDGC 31/500 G                                 |
|                       | 558                        | 460 | 526 | 263 | 546 | 502 | 251 | 16   | 1095 | 580 | 175 | 1350 | 260 | 1580 | 82 | 72 x 6 | 1600            | 1650    | SDGC 41/500 G                                 |
|                       | 605                        | 500 | 570 | 285 | 591 | 542 | 271 | 18   | 1190 | 640 | 190 | 1420 | 300 | 1680 | 82 | 72 x 6 | 2050            | 2100    | SDGC 32/500 G                                 |
| 530                   | 379                        | 290 | 358 | 179 | 369 | 338 | 169 | 14   | 855  | 460 | 185 | 1080 | 140 | 1260 | 66 | 56     | 620             | 635     | SDGC 39/530 G                                 |
|                       | 428                        | 430 | 406 | 203 | 416 | 382 | 191 | 16   | 1045 | 550 | 165 | 1300 | 245 | 1530 | 82 | 72 x 6 | 1250            | 1300    | SDGC 30/530 G                                 |
|                       | 508                        | 420 | 486 | 243 | 496 | 462 | 231 | 16   | 1005 | 530 | 160 | 1270 | 240 | 1500 | 82 | 72 x 6 | 1150            | 1150    | SDGC 40/530 G                                 |
|                       | 560                        | 470 | 540 | 270 | 546 | 512 | 256 | 18   | 1130 | 600 | 180 | 1390 | 270 | 1620 | 82 | 72 x 6 | 1800            | 1800    | SDGC 31/530 G                                 |
|                       | 560                        | 470 | 540 | 270 | 546 | 512 | 256 | 18   | 1130 | 600 | 180 | 1390 | 270 | 1620 | 82 | 72 x 6 | 1750            | 1750    | SDGC 41/530 G                                 |

#) The designation denotes a housing with labyrinth seals. A housing with felt seal is designated by suffix H, e.g. SDGC 2328 H



| Shaft dia<br>da<br>mm | Appropriate Bearing | Shaft seating, abutment and fillet dimensions |             |     |     |     |     |    |     |   |    | End plate Dimensions |    |    | Attachment bolts<br>(3 bolts) | Grease quantity<br>initial fill<br>kg |
|-----------------------|---------------------|---|-------------|-----|-----|-----|-----|----|-----|---|----|----------------------|----|----|-------------------------------|---------------------------------------|
|                       |                     | db @<br>mm                                    | dc<br>(min) | dd  | de  | df  | ba  | bb | bc  | r | r1 | dg                   | G3 | s  |                               |                                       |
| 420                   | 23984 CAC/W33       | 422   | 440         | 360 | 418 | 450 | 198 | 66 | 104 | 6 | 3  | 445                  | 26 | 24 | 24 X 65                       | 2.8                                   |
|                       | 23084 CA/W33        | 422   | 440         | 345 | 418 | 450 | 222 | 55 | 147 | 6 | 4  | 450                  | 33 | 30 | 30 X 80                       | 5.2                                   |
|                       | 24084 CA/W33        | 422   | 440         | 360 | 418 | 450 | 297 | 70 | 197 | 6 | 4  | 450                  | 26 | 24 | 24 X 65                       | 7.4                                   |
|                       | 23184 C/W33         | 422   | 440         | 345 | 418 | 450 | 337 | 82 | 220 | 6 | 5  | 450                  | 33 | 30 | 30 X 80                       | 14.5                                  |
|                       | 24184 ECA/W33       | 422   | 440         | 345 | 418 | 450 | 365 | 62 | 276 | 6 | 5  | 450                  | 33 | 30 | 30 X 80                       | 11.5                                  |
|                       | 23284 CA/W33        | 422   | 440         | 345 | 418 | 460 | 374 | 76 | 267 | 6 | 6  | 460                  | 33 | 30 | 30 X 80                       | 21.0                                  |
| 440                   | 23988 CAC/W33       | 442   | 460         | 380 | 438 | 470 | 205 | 65 | 116 | 6 | 3  | 465                  | 26 | 24 | 24 X 65                       | 3.7                                   |
|                       | 23088 CA/W33        | 442   | 460         | 365 | 438 | 470 | 235 | 55 | 153 | 6 | 5  | 475                  | 33 | 30 | 30 X 80                       | 6.0                                   |
|                       | 24088 CA/W33        | 442   | 460         | 380 | 438 | 470 | 310 | 70 | 208 | 6 | 5  | 475                  | 26 | 24 | 24 X 65                       | 7.6                                   |
|                       | 23188 C/W33         | 442   | 460         | 365 | 438 | 470 | 338 | 82 | 222 | 6 | 5  | 475                  | 33 | 30 | 30 X 80                       | 16.0                                  |
|                       | 24188 ECA/W33       | 442   | 460         | 365 | 438 | 470 | 365 | 62 | 276 | 6 | 5  | 470                  | 33 | 30 | 30 X 80                       | 12.5                                  |
|                       | 23288 CA/W33        | 442   | 460         | 365 | 438 | 480 | 383 | 76 | 275 | 6 | 6  | 480                  | 33 | 30 | 30 X 80                       | 23.0                                  |
| 460                   | 23992 CAC/W33       | 462   | 480         | 385 | 458 | 490 | 205 | 65 | 116 | 6 | 3  | 485                  | 33 | 30 | 30 X 80                       | 4.8                                   |
|                       | 23092 CA/W33        | 462   | 480         | 385 | 458 | 490 | 252 | 60 | 160 | 6 | 5  | 495                  | 33 | 30 | 30 X 80                       | 7.0                                   |
|                       | 24092 CA/W33        | 462   | 480         | 400 | 458 | 490 | 312 | 70 | 214 | 6 | 5  | 495                  | 26 | 24 | 24 X 65                       | 8.6                                   |
|                       | 23192 C/W33         | 462   | 480         | 385 | 458 | 500 | 358 | 86 | 235 | 6 | 6  | 500                  | 33 | 30 | 30 X 80                       | 18.0                                  |
|                       | 24192 ECA/W33       | 462   | 480         | 385 | 458 | 500 | 389 | 68 | 295 | 6 | 6  | 500                  | 33 | 30 | 30 X 80                       | 15.0                                  |
|                       | 23292 CA/W33        | 462   | 480         | 385 | 458 | 500 | 406 | 80 | 291 | 6 | 6  | 500                  | 33 | 30 | 30 X 80                       | 27.0                                  |
| 480                   | 23996 CAC/W33       | 482   | 500         | 405 | 478 | 510 | 222 | 68 | 125 | 6 | 4  | 505                  | 33 | 30 | 30 X 80                       | 4.8                                   |
|                       | 23096 CA/W33        | 482   | 500         | 405 | 478 | 510 | 258 | 66 | 161 | 6 | 5  | 515                  | 33 | 30 | 30 X 80                       | 7.4                                   |
|                       | 24096 CA/W33        | 482   | 500         | 405 | 478 | 510 | 334 | 84 | 214 | 6 | 5  | 515                  | 33 | 30 | 30 X 80                       | 9.5                                   |
|                       | 23196 C/W33         | 482   | 500         | 405 | 478 | 520 | 367 | 87 | 243 | 6 | 6  | 520                  | 33 | 30 | 30 X 80                       | 20.0                                  |
|                       | 24196 ECA/W33       | 482   | 500         | 405 | 478 | 520 | 398 | 66 | 303 | 6 | 6  | 520                  | 33 | 30 | 30 X 80                       | 16.5                                  |
|                       | 23296 CA/W33        | 482   | 500         | 390 | 478 | 520 | 420 | 80 | 305 | 6 | 6  | 520                  | 39 | 36 | 36 X 90                       | 31.0                                  |
| 500                   | 239/500 CA/W33      | 502   | 520         | 425 | 498 | 530 | 222 | 68 | 125 | 6 | 4  | 530                  | 33 | 30 | 30 X 80                       | 5.8                                   |
|                       | 230/500 CA/W33      | 502   | 520         | 425 | 498 | 530 | 258 | 64 | 163 | 6 | 5  | 535                  | 33 | 30 | 30 X 80                       | 8.0                                   |
|                       | 240/500 CA/W33      | 502   | 520         | 425 | 498 | 530 | 334 | 84 | 214 | 6 | 5  | 535                  | 33 | 30 | 30 X 80                       | 10.0                                  |
|                       | 231/500 CA/W33      | 502   | 520         | 425 | 498 | 540 | 390 | 92 | 260 | 6 | 6  | 540                  | 33 | 30 | 30 X 80                       | 22.0                                  |
|                       | 241/500 ECA/W33     | 502   | 520         | 425 | 498 | 540 | 421 | 71 | 320 | 6 | 6  | 540                  | 33 | 30 | 30 X 80                       | 19.0                                  |
|                       | 232/500 CA/W33      | 502   | 520         | 410 | 498 | 540 | 448 | 82 | 332 | 6 | 6  | 540                  | 39 | 36 | 36 X 90                       | 37.0                                  |
| 530                   | 239/530 CA/W33      | 532   | 550         | 455 | 528 | 560 | 242 | 80 | 133 | 6 | 4  | 560                  | 33 | 30 | 30 X 80                       | 7.2                                   |
|                       | 230/530 CA/W33      | 532   | 550         | 440 | 528 | 560 | 290 | 75 | 181 | 6 | 5  | 565                  | 39 | 36 | 36 X 90                       | 11.0                                  |
|                       | 240/530 CA/W33      | 532   | 550         | 455 | 528 | 560 | 364 | 84 | 246 | 6 | 5  | 560                  | 33 | 30 | 30 X 80                       | 14.0                                  |
|                       | 231/530 CA/W33      | 532   | 550         | 440 | 528 | 570 | 400 | 94 | 267 | 6 | 6  | 570                  | 39 | 36 | 36 X 90                       | 26.0                                  |
|                       | 241/530 ECA/W33     | 532   | 550         | 440 | 528 | 570 | 433 | 73 | 330 | 6 | 6  | 570                  | 39 | 36 | 36 X 90                       | 22.0                                  |

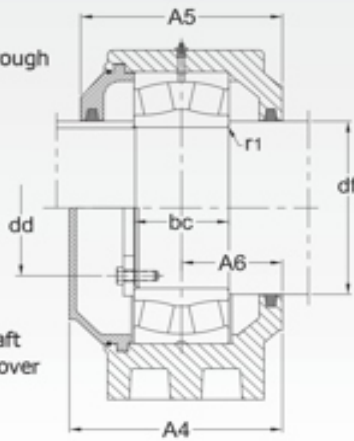
@ tolerance for db should be h6





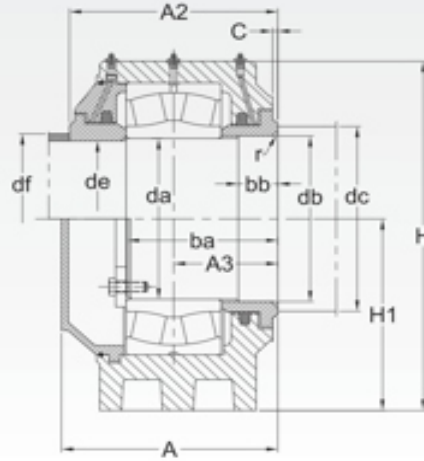
# SDG Plummer Block Housings For Spherical Roller Bearings With Cylindrical Bore (TYPE: G)

Type BF:  
Housing for through  
shaft Locating  
bearing

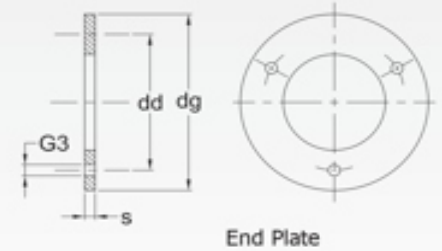


Housing with felt-seals

Type AL:  
Housing for shaft  
end with end cover  
Non-locating  
bearing



Housing with labyrinth+felt seals

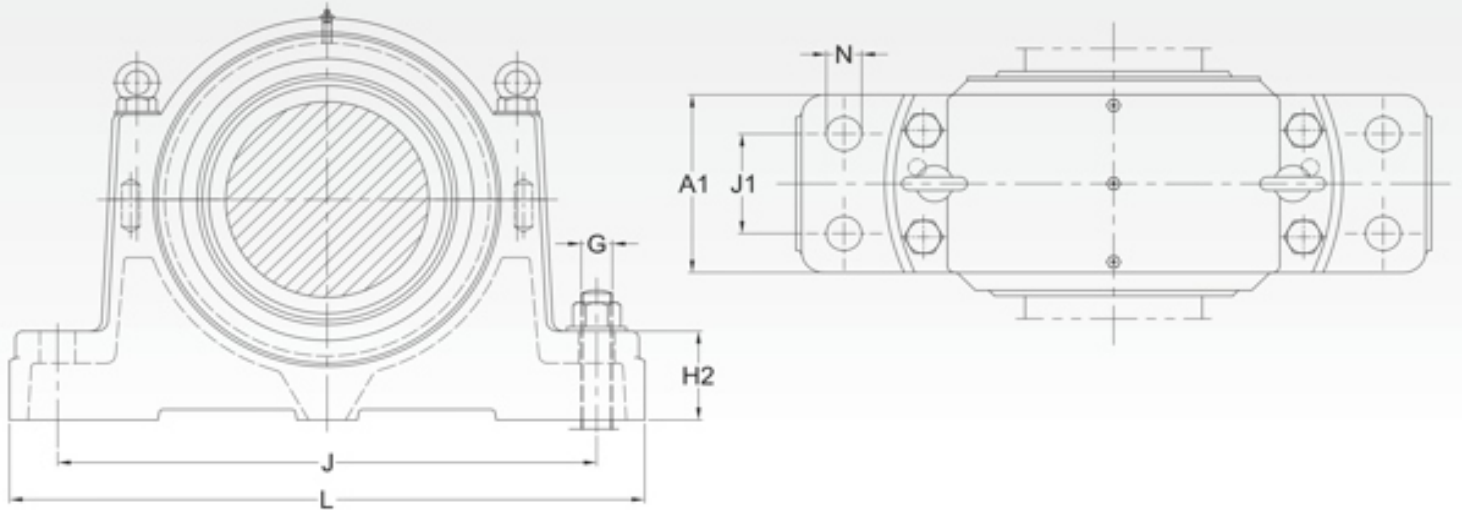


End Plate

| Shaft dia-<br>da<br>mm | Housing Dimensions (in mm) |     |     |     |     |     |     |    |      |     |     |      |     |      |    |        | Masses (Approx) |      | Designation #<br>Housing of Grey Cast Iron |
|------------------------|----------------------------|-----|-----|-----|-----|-----|-----|----|------|-----|-----|------|-----|------|----|--------|-----------------|------|--|
|                        | A                          | A1  | A2  | A3  | A4  | A5  | A6  | C  | H    | H1  | H2  | J    | J1  | L    | N  | G      | Housing type    |      |  |
|                        | mm                         | mm  | mm  | mm  | mm  | mm  | mm  | mm | mm   | mm  | mm  | mm   | mm  | mm   | mm | mm     | mm              | A kg |  |
| 560                    | 384                        | 290 | 358 | 179 | 374 | 338 | 169 | 14 | 865  | 460 | 190 | 1100 | 140 | 1280 | 66 | 56     | 620             | 635  | SDGC 39/560 G                              |
|                        | 438                        | 460 | 406 | 203 | 426 | 382 | 191 | 16 | 1095 | 580 | 175 | 1350 | 260 | 1580 | 82 | 72 X 6 | 1450            | 1500 | SDGC 30/560 G                              |
|                        | 558                        | 460 | 526 | 263 | 546 | 502 | 251 | 16 | 1095 | 580 | 175 | 1350 | 260 | 1580 | 82 | 72 X 6 | 1450            | 1500 | SDGC 40/560 G                              |
|                        | 605                        | 500 | 570 | 285 | 591 | 542 | 271 | 18 | 1190 | 640 | 190 | 1420 | 300 | 1680 | 82 | 72 X 6 | 2100            | 2150 | SDGC 31/560 G                              |
|                        | 605                        | 500 | 570 | 285 | 591 | 542 | 271 | 18 | 1190 | 640 | 190 | 1420 | 300 | 1680 | 82 | 72 X 6 | 2050            | 2100 | SDGC 41/560 G                              |
| 600                    | 428                        | 430 | 406 | 203 | 416 | 382 | 191 | 16 | 1045 | 550 | 165 | 1300 | 245 | 1530 | 82 | 72 X 6 | 1150            | 1200 | SDGC 39/600 G                              |
|                        | 450                        | 470 | 410 | 205 | 436 | 384 | 192 | 18 | 1130 | 600 | 180 | 1390 | 270 | 1620 | 82 | 72 X 6 | 1600            | 1650 | SDGC 30/600 G                              |
|                        | 560                        | 470 | 540 | 270 | 546 | 512 | 256 | 18 | 1130 | 600 | 180 | 1390 | 270 | 1620 | 82 | 72 X 6 | 1650            | 1650 | SDGC 40/600 G                              |
| 630                    | 438                        | 460 | 406 | 203 | 426 | 382 | 191 | 16 | 1095 | 580 | 175 | 1350 | 260 | 1580 | 82 | 72 X 6 | 1250            | 1250 | SDGC 39/630 G                              |
|                        | 465                        | 500 | 420 | 210 | 451 | 394 | 197 | 18 | 1190 | 640 | 190 | 1420 | 300 | 1680 | 82 | 72 X 6 | 1800            | 1850 | SDGC 30/630 G                              |
|                        | 605                        | 500 | 570 | 285 | 591 | 542 | 271 | 18 | 1190 | 640 | 190 | 1430 | 300 | 1680 | 82 | 72 X 6 | 1900            | 1950 | SDGC 40/630 G                              |
| 670                    | 450                        | 470 | 410 | 205 | 436 | 384 | 192 | 18 | 1130 | 600 | 180 | 1390 | 270 | 1620 | 82 | 72 X 6 | 1450            | 1500 | SDGC 39/670 G                              |
| 710                    | 465                        | 500 | 420 | 210 | 451 | 394 | 197 | 18 | 1190 | 640 | 190 | 1420 | 300 | 1680 | 82 | 72 X 6 | 1700            | 1750 | SDGC 39/710 G                              |

#) The designation denotes a housing with labyrinth seals. A housing with felt seal is designated by suffix H, e.g. SDGC 2328 H





| Shaft dia<br>da<br>mm | Appropriate Bearing | Shaft seating, abutment and fillet dimensions |             |     |     |     |     |     |     |    |    | End plate Dimensions |    |    | Attachment bolts<br>(3 bolts) | Grease quantity<br>initial fill<br>kg |
|-----------------------|---------------------|---|-------------|-----|-----|-----|-----|-----|-----|----|----|----------------------|----|----|-------------------------------|---------------------------------------|
|                       |                     | db @<br>mm                                    | dc<br>(min) | dd  | de  | df  | ba  | bb  | bc  | r  | r1 | dg                   | G3 | s  |                               |                                       |
| 560                   | 239/560 CA/W33      | 562   | 580         | 485 | 558 | 590 | 245 | 80  | 137 | 6  | 4  | 590                  | 33 | 30 | 30 X 80                       | 8.0                                   |
|                       | 230/560 CA/W33      | 562   | 590         | 470 | 558 | 590 | 295 | 75  | 191 | 10 | 5  | 595                  | 39 | 36 | 36 X 90                       | 12.0                                  |
|                       | 240/560 CA/W33      | 562   | 580         | 485 | 558 | 590 | 388 | 94  | 254 | 6  | 5  | 590                  | 33 | 30 | 30 X 80                       | 16.0                                  |
|                       | 231/560 CA/W33      | 562   | 590         | 470 | 558 | 600 | 420 | 100 | 275 | 10 | 6  | 600                  | 39 | 36 | 36 X 90                       | 32.0                                  |
|                       | 241/560 EC/W33      | 562   | 590         | 470 | 558 | 600 | 459 | 75  | 350 | 10 | 6  | 600                  | 39 | 36 | 36 X 90                       | 26.0                                  |
| 600                   | 239/600 CA/W33      | 602   | 620         | 510 | 598 | 630 | 274 | 90  | 147 | 6  | 4  | 630                  | 39 | 36 | 36 X 90                       | 10.0                                  |
|                       | 230/600 CA/W33      | 602   | 630         | 510 | 598 | 630 | 300 | 75  | 196 | 10 | 5  | 635                  | 39 | 36 | 36 X 90                       | 13.0                                  |
|                       | 240/600 CA/W33      | 602   | 620         | 510 | 598 | 630 | 402 | 94  | 268 | 6  | 5  | 635                  | 39 | 36 | 36 X 90                       | 18.0                                  |
| 630                   | 239/630 CA/W33      | 632   | 660         | 540 | 628 | 670 | 282 | 85  | 161 | 10 | 5  | 665                  | 39 | 36 | 36 X 90                       | 11.0                                  |
|                       | 230/630 CA/W33      | 632   | 660         | 540 | 628 | 670 | 310 | 75  | 208 | 10 | 6  | 675                  | 39 | 36 | 36 X 90                       | 15.0                                  |
|                       | 240/630 CA/W33      | 632   | 660         | 540 | 628 | 670 | 425 | 98  | 285 | 10 | 6  | 675                  | 39 | 36 | 36 X 90                       | 23.0                                  |
| 670                   | 239/670 CA/W33      | 672   | 700         | 580 | 668 | 710 | 285 | 85  | 166 | 10 | 5  | 705                  | 39 | 36 | 36 X 90                       | 12.0                                  |
| 710                   | 239/710 CA/W33      | 712   | 740         | 620 | 708 | 750 | 295 | 85  | 176 | 10 | 5  | 745                  | 39 | 36 | 36 X 90                       | 16.0                                  |

@ tolerance for db should be h6