



**HOWRAH NEWO TECHNOLOGY**



**SN 30 SERIES**

“NEWO TECHNOLOGY’ SN Series horizontally split type Plummer Blocks are ideally suitable for moderate loads, speeds and relatively clean and temperate environment.

The width of bearing seat in the SN series plummer blocks is such that it gives bearings axial freedom. A locating bearing is positioned by the insertion of one or two locating rings as the case may be for its axial location.

SN Series plummer blocks are suitable for grease lubrication. Felt strips and grease nipples can be supplied along with plummer blocks on order.

## Series of Plummer Blocks

## Suitable for Bearing series

*SN 500*

1200 K,2200 K,22200 CK series bearings with adapter sleeves.

*SN 200*

1200,2200,22200 C series of cylindrical (straight) bore bearings.

*SN 600*

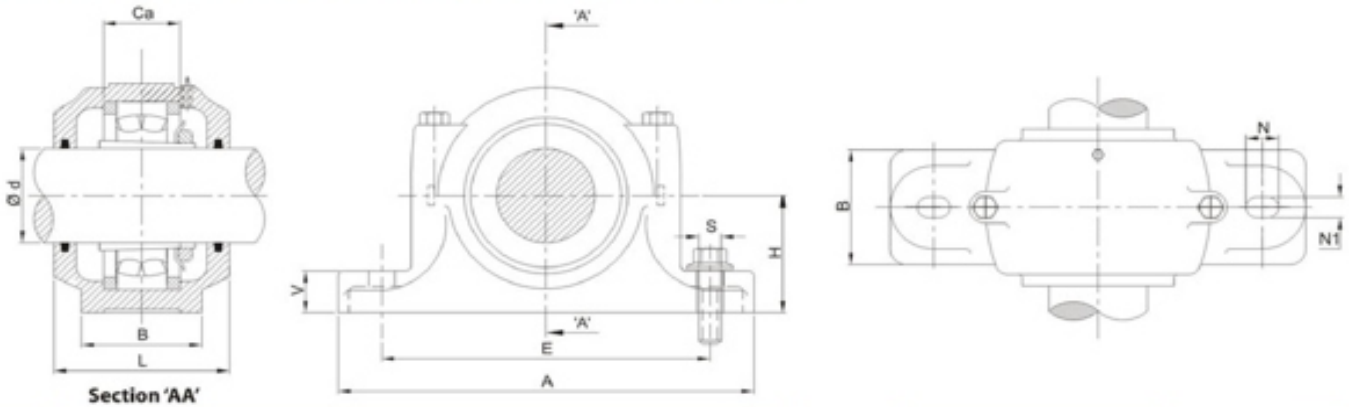
1300 K,2300 K,22300 CK series bearings with adapter sleeves.

*SN 300*

1300,2300,22300 C series of cylindrical (straight) bore bearings.



**Plummer Blocks (Bearing housings)**  
**SN 500 Series Suitable for Bearings with adapter sleeves**

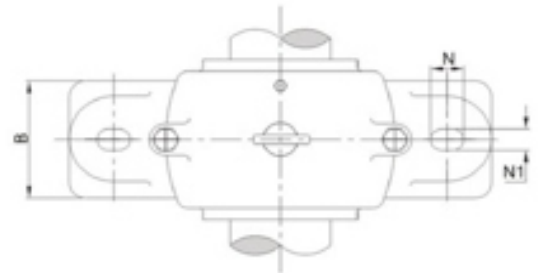
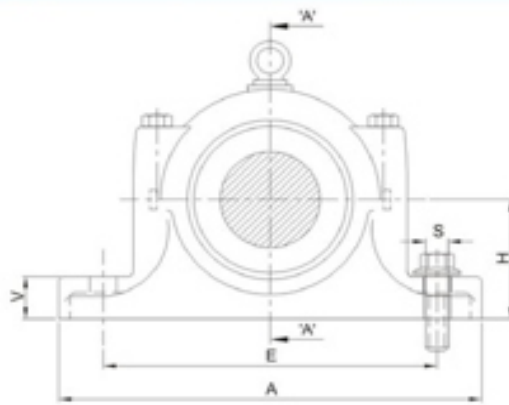
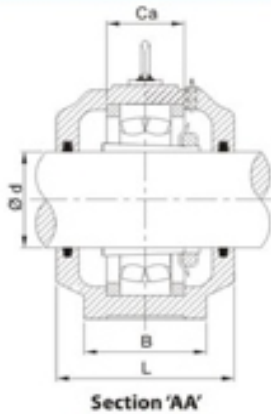


Plummer Block Designation	Shaft dia (d)		DIMENSION IN MM										Approx Weight kg.	Bearing with Adapter Sleeve	Locating Rings		Felt Strip No.
	mm	inch	L	H	A	B	E	V	S	Ca	N	N1			Size Width / Dia	Nos. Per Hsg.	
SN 505	20	3/4	67	40	165	46	130	19	12	25	20	15	1.12	1205 K + H 205 2205 K + H 305	5/52 7/52	2 1	FS 110
SN 506	25	1	77	50	185	52	150	22	12	30	20	15	1.63	1206 K + H 206 2206 K + H 306	7/62 10/62	2 1	FS 190
SN 507	30	1-1/8	82	50	185	52	150	22	12	33	20	15	1.93	1207 K + H 207 2207 K + H 307 22207 CK+ H 307	8/72 10/72 10/72	2 1 1	FS 190
SN 508	35	1-1/4	85	60	205	60	170	25	12	34	20	15	2.63	1208 K + H 208 2208 K + H 308 22208 CK+ H 308	8/80 11/80 11/80	2 1 1	FS 190
SN 509	40	1-1/2	85	60	205	60	170	25	12	31	20	15	2.85	1209 K + H 209 2209 K + H 309 22209 CK+ H 309	6/85 8/85 8/85	2 1 1	FS 190
SN 510	45	1-3/4	90	60	205	60	170	25	12	33	20	15	3.00	1210 K + H 210 2210 K + H 310 22210 CK+ H 310	6.5/90 10/90 10/90	2 1 1	FS 190
SN 511	50	2	95	70	255	70	210	28	16	33	23	18	4.00	1211 K + H 211 2211 K + H 311 22211 CK+ H 311	6/100 8/100 8/100	2 1 1	FS 260
SN 512	55	2-1/8	105	70	255	70	210	30	16	38	23	18	4.6	1212 K + H 212 2212 K + H 312 22212 CK+ H 312	8/110 10/110 10/110	2 1 1	FS 260
SN 513	60	2-1/4	110	80	275	80	230	30	16	43	23	18	5.95	1213 K + H 213 2213 K + H 313 22213 CK+ H 313	10/120 12/120 12/120	2 1 1	FS 260
SN 515	65	2-1/2	115	80	280	80	230	30	16	41	23	18	6.85	1215 K + H 215 2215 K + H 315 22215 CK+ H 315	8/130 10/130 10/130	2 1 1	FS 260
SN 516	70	2-3/4	120	95	315	90	260	32	20	43	27	22	8.45	1216 K + H 216 2216 K + H 316 22216 CK+ H 316	8.5/140 10/140 10/140	2 1 1	FS 330
SN 517	75	3	125	95	320	90	260	32	20	46	27	22	9.5	1217 K + H 217 2217 K + H 317 22217 CK+ H 317	9/150 10/150 10/150	2 1 1	FS 330



**Plummer Blocks (Bearing Housings)**  
Series SN 500 for bearings with adapter sleeves.

**Plummer Block SN 524 and above only**  
are supplied with eye bolt on cap

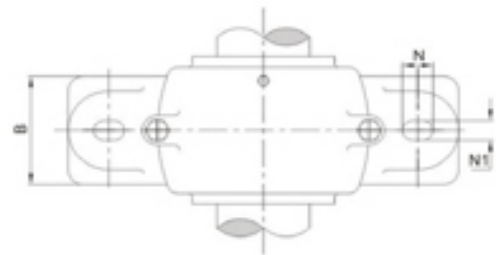
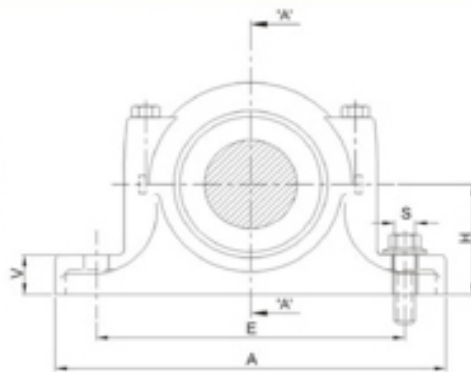
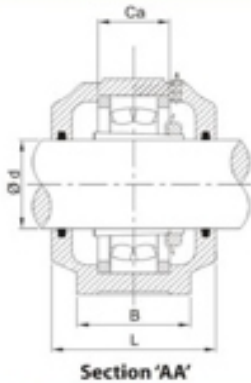


Plummer Block Designation	Shaft dia (d)		DIMENSION IN MM										Approx Weight kg.	Bearing with Adapter Sleeve	Locating Rings		Felt Strip No.
	mm	inch	L	H	A	B	E	V	S	Ca	N	N1			Size Width/Dia	Nos. Per Hsg.	
SN 518	80	—	145	100	345	100	290	35	20	62	27	22	12.3	1218 K + H 218 2218 K + H 318 22218CK + H 318 23218CK + H 2318	16.2/160 11.2/160 11.2/160 10/160	2 2 2 1	FS 330
SN 519	85	3-1/4	145	112	345	100	290	35	20	53	27	22	14.2	1219 K + H 219 2219 K + H 319 22219CK + H 319	10.5/170 10/170 10/170	2 1 1	FS 330
SN 520	90	3-1/2	160	112	380	110	320	40	24	70	32	26	15.5	1220 K + H 220 2220 K + H 320 22220CK+ H 320 23220CK+ H 2320	18/180 12/180 12/180 9.7/180	2 2 2 1	FS 370
SN 522	100	4	175	125	410	120	350	45	24	80	32	26	20.0	1222 K + H 222 2222 K + H 322 22222CK+ H 322 23222CK+ H 2322	21/200 13.5/200 13.5/200 10/200	2 2 2 1	FS 460
SN 524	110	4-1/4	185	140	410	120	350	45	24	86	32	26	23	22224CK+ H 3124 23224CK+ H 2324	14/215 10/215	2 1	FS 460
SN 526	115	4-1/2	190	150	445	130	380	50	24	90	35	28	28.9	22226CK+ H 3126 23226CK+ H 2326	13/230 10/230	2 1	FS 460
SN 528	125	5	205	150	500	150	420	50	30	98	42	35	36.4	22228CK+ H 3128 23228CK+ H 2328	15/250 10/250	2 1	FS 510
SN 530	135	5-1/4	220	160	530	160	450	60	30	106	42	35	43.5	22230CK+ H 3130 23230CK+ H 2330	16.5/270 10/270	2 1	FS 510
SN 532	140	5-1/2	235	170	550	160	470	60	30	114	42	35	50.5	22232CK+ H 3132 23232CK+ H 2332	17/290 10/290	2 1	FS 680
SN 534	150	6	235	180	620	170	520	65	30	120	42	35	57.0	22234CK+ H 3134 23234CK+ H 2334	17/310 10/310	2 1	FS 680
SN 536	160	6-1/2	245	190	650	180	560	65	30	122	42	35	72.0	22236CK+ H 3136 23236CK+ H 2336	18/320 10/320	2 1	FS 680
SN 538	170	6-3/4	255	200	680	190	580	70	36	130	50	42	90.0	22238CK+ H 3138 23238CK+ H 2338	19/340 10/340	2 1	FS 680



**Plummer Blocks (Bearing Housings)**  
Series SN 600 for bearings with adapter sleeves.

Plummer Block SN 620 and above only are supplied with eye bolt on cap

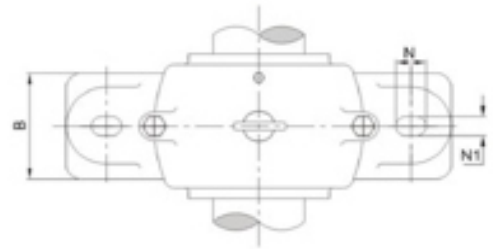
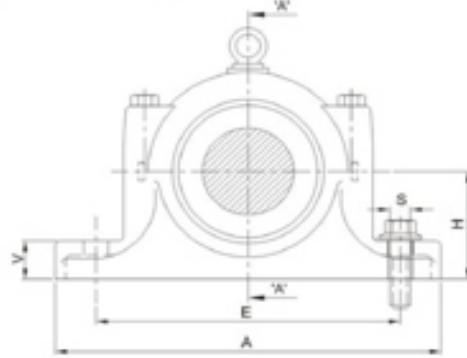
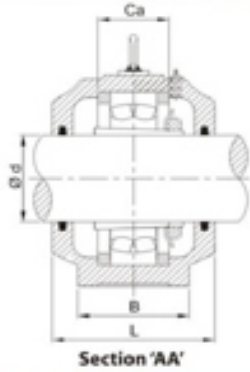


Plummer Block Designation	Shaft dia (d)		DIMENSION IN MM										Approx Weight kg.	Bearing with Adapter Sleeve	Locating Rings		Felt Strip No.
	mm	inch	L	H	A	B	E	V	S	Ca	N	N1			Size Width / Dia	Nos. Per Hsg.	
SN 605	20	3/4	80	50	185	52	150	22	12	34	20	15	1.12	1305 K + H 305 2305 K + H 2305	8.5/62 10/62	2 1	FS 110
SN 606	25	1	82	50	185	52	150	22	12	37	20	15	1.85	1306 K + H 306 2306 K + H 2306	9/72 10/72	2 1	FS 190
SN 607	30	1-1/8	90	60	205	60	170	25	12	41	20	15	2.8	1307 K + H 307 21307 K + H 307 2307 K + H 2307	10/80 10/80 10/80	2 2 1	FS 190
SN 608	35	1-1/4	95	60	205	60	170	25	12	43	20	15	3.15	1308 K + H 308 21308 K + H 308 2308 K + H 2308 22308 CK+ H 2308	10/90 10/90 10/90 10/90	2 2 1 1	FS 190
SN 609	40	1-1/2	105	70	255	70	210	28	16	46	23	18	4.3	1309 K + H 309 21309 K + H 309 2309 K + H 2309 22309 CK+ H 2309	10.5/100 10.5/100 10/100 10/100	2 2 1 1	FS 190
SN 610	45	1-3/4	115	70	255	70	210	30	16	50	23	18	4.9	1310 K + H 310 21310 K + H 310 2310 K + H 2310 22310C K + H 2310	11.5/110 11.5/110 10/110 10/110	2 2 1 1	FS 190
SN 611	50	2	120	80	275	80	230	30	16	53	23	18	5.5	1311 K + H 311 21311 K + H 311 2311 K + H 2311 22311 CK+ H 2311	12/120 12/120 10/120 10/120	2 2 1 1	FS 260
SN 612	55	2-1/8	125	80	280	80	230	30	16	56	23	18	7.10	1312 K + H 312 21312 K + H 312 2312 K + H 2312 22312 CK+ H 2312	12.5/130 12.5/130 10/130 10/130	2 2 1 1	FS 260
SN 613	60	2-1/4	130	95	315	90	260	32	20	58	27	22	9.2	1313 K + H 313 21313 K + H 313 2313 K + H 2313 22313 CK+ H 2313	12.5/140 12.5/140 10/140 10/140	2 2 1 1	FS 260
SN 614	70		130	95	320	90	260	32	20	61	27	22	10.5	1314 K + H 314 21314 K + H 314 2314 K + H 2314 22314CK+AHX 2314	13/150 13/150 10/150 10/150	2 2 1 1	FS 260



**Plummer Blocks (Bearing housings)  
Series SN 600 for bearings with adapter sleeves**

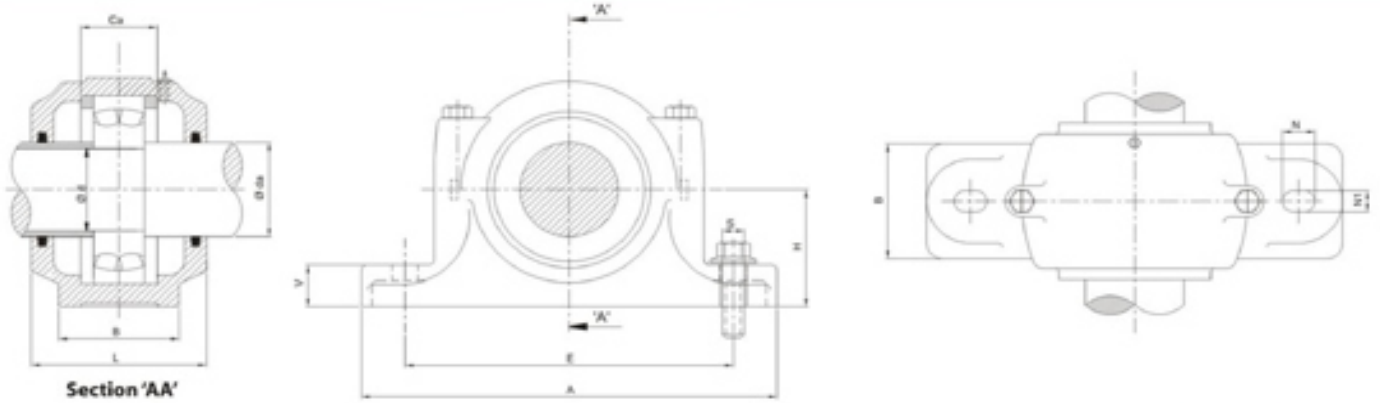
**Plummer Block SN 620 and above only  
are supplied with eye bolt on cap**



Plummer Block Designation	Shaft dia (d)		DIMENSION IN MM										Approx Weight kg.	Bearing with Adapter Sleeve	Locating Rings		Felt Strip No.
	mm	inch	L	H	A	B	E	V	S	Ca	N	N1			Size Width/Dia	Nos. Per Hsg.	
SN 615	65	2-1/2	140	100	345	100	290	35	20	65	27	22	11.65	1315 K + H 315 21315 K + H 315 2315K + H 2315 22315CK+ H 2315	14/160 14/160 10/160 10/160	2 2 1 1	FS 260
SN 616	70	2-3/4	145	112	345	100	290	35	20	68	27	22	12.9	1316 K + H 316 21316 K + H 316 2316 K + H 2316 22316CK + H 2316	14.5/170 14.5/170 10/170 10/170	2 2 1 1	FS 330
SN 617	75	3	155	112	380	110	320	40	24	70	32	26	15.5	1317 K + H 317 21317 K + H 317 2317 K + H 2317 22317 CK+ H 2317	14.5/180 14.5/180 10/180 10/180	2 2 1 1	FS 330
SN 618	80	3-3/16	160	112	380	110	320	40	24	74	32	26	16.8	1318 K + H 318 21318 K + H 318 2318 K + H 2318 22318 CK+ H 2318	15.5/190 15.5/190 10/190 10/190	2 2 1 1	FS 330
SN 619	85	3-3/8	170	125	410	120	350	45	24	77	32	26	20.5	1319 K + H 319 21319 K + H 319 2319 K + H 2319 22319 CK+ H 2319	16/200 16/200 10/200 10/200	2 2 1 1	FS 330
SN 620	90	3-1/2	175	140	410	120	350	45	24	83	32	26	22.8	1320 K + H 320 21320 K + H 320 2320 K + H 2320 22320 CK+ H 2320	18/215 18/215 10/215 10/215	2 2 1 1	FS 370
SN 622	100	4	190	150	450	130	390	50	24	90	35	28	28.9	21322 K + H 322 22322 CK+ H 2322	20/240 10/240	2 1	FS 370
SN 624	110	4-1/4	200	160	530	160	450	60	30	96	42	35	35.8	20324 K+ H 3124 22324 CK+ H 2324	20.5/260 10/260	2 1	FS 460
SN 626	115	4-1/2	210	170	550	160	470	60	30	103	42	35	50.5	20326 K+ H 3126 22326 CK+ H 2326	22.5/280 10/280	2 1	FS 460
SN 628	125	5	235	180	620	170	520	65	30	112	42	35	81.0	20328 K+ H 3128 22328 CK+ H 2328	25/300 10/300	2 1	FS 510
SN 630	135	5-1/4	245	190	650	180	560	65	30	118	42	35	92.0	20330 K+ H 3130 22330 CK+ H 2330	26.5/320 10/320	2 1	FS 510
SN 632	140	5-1/2	255	200	680	190	580	70	36	124	50	42	100.0	20332 K+ H 3132 22332 CK+ H 2332	28/340 10/340	2 1	FS 680



**Plummer Blocks (Bearing housings)  
Series SN 200 for bearings with Cylindrical Straight Bore**

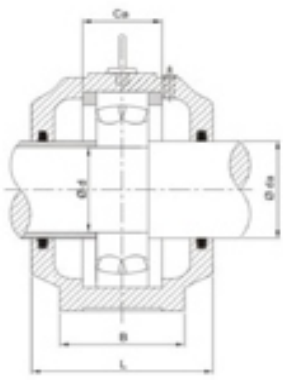


Plummer Block Designation	Shaft dia		DIMENSION IN MM										Approx Weight kg.	Bearing No.	Locating Rings		Felt Strip No.
	d	da	L	H	A	B	E	V	S	Ca	N	N1			Size Width/Dia	Nos. Per Hsg.	
SN 205	25	30	67	40	165	46	130	19	12	25	20	15	1.12	1205	5/52	2	FS 190
														2205	7/52	1	
SN 206	30	35	77	50	185	52	150	22	12	30	20	15	1.63	1206	7/62	2	FS 190
														2206	10/62	1	
SN 207	35	45	82	50	185	52	150	22	12	33	20	15	1.98	1207	8/72	2	FS 190
														2207	10/72	1	
														22207 C	10/72	1	
SN 208	40	50	85	60	205	60	170	25	12	34	20	15	2.63	1208	8/80	2	FS 260
														2208	11/80	1	
														22208 C	11/80	1	
SN 209	45	55	85	60	205	60	170	25	12	31	20	15	2.85	1209	6/85	2	FS 260
														2209	8/85	1	
														22209 C	8/85	1	
SN 210	50	60	90	60	205	60	170	25	12	33	20	15	3.10	1210	6.5/90	2	FS 260
														2210	10/90	1	
														22210 C	10/90	1	
SN 211	55	65	95	70	255	70	210	28	16	33	23	18	4.00	1211	6/100	2	FS 260
														2211	8/100	1	
														22211 C	8/100	1	
SN 212	60	70	105	70	255	70	210	30	16	38	23	18	4.6	1212	8/110	2	FS 330
														2212	10/110	1	
														22212 C	10/110	1	
SN 213	65	75	110	80	275	80	230	30	16	43	23	18	6.00	1213	10/120	2	FS 330
														2213	12/120	1	
														22213 C	12/120	1	
SN 215	75	85	115	80	280	80	230	30	16	41	23	18	6.85	1215	8/130	2	FS 330
														2215	10/130	1	
														22215 C	10/130	1	
SN 216	80	90	120	95	315	90	260	32	20	43	27	22	8.45	1216	8.5/140	2	FS 370
														2216	10/140	1	
														22216 C	10/140	1	
SN 217	85	95	125	95	320	90	260	32	20	46	27	22	9.35	1217	9/150	2	FS 370
														2217	10/150	1	
														22217 C	10/150	1	

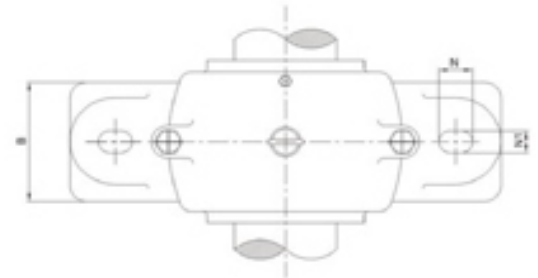
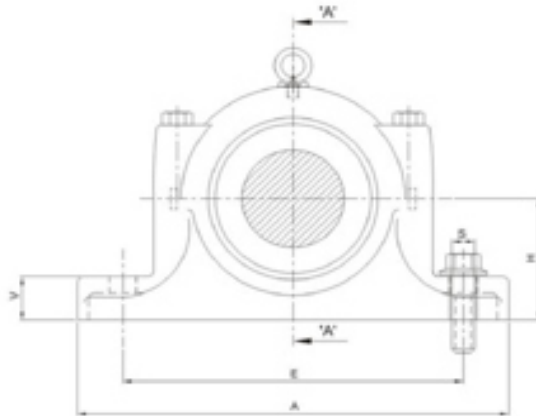


**Plummer Blocks (Bearing housings)**  
**Series SN 200 for bearings with Cylindrical Straight Bore**

**Plummer Block SN 224 and above only**  
**are supplied with eye bolt on cap**



Section 'AA'

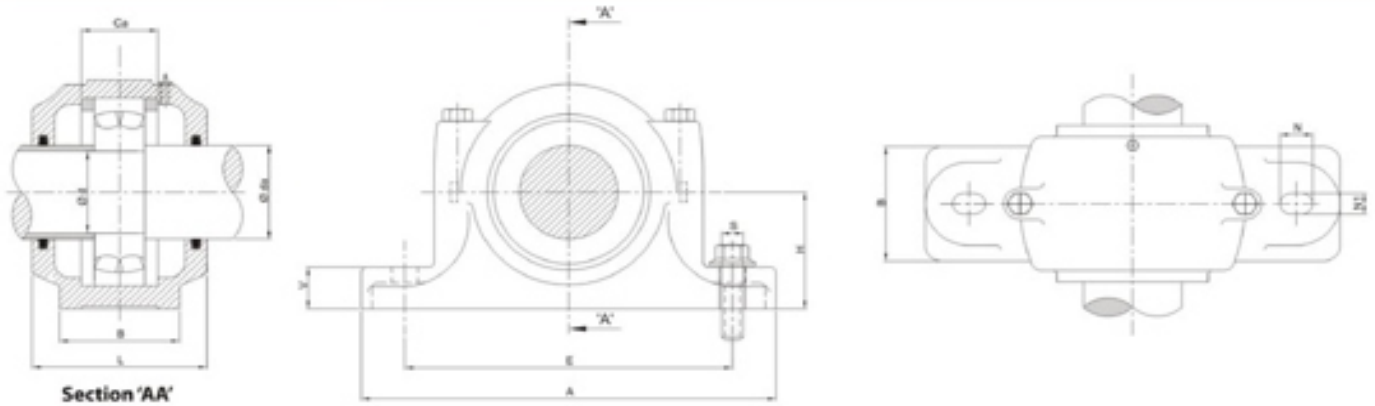


Plummer Block Designation	Shaft dia		DIMENSION IN MM										Approx Weight kg.	Bearing No.	Locating Rings		Felt Strip No.
	d	da	L	H	A	B	E	V	S	Ca	N	N1			Size Width/Dia	Nos. Per Hsg.	
SN 218	90	100	145	100	345	100	290	35	20	62	27	22	12.1	1218	16.2/160	2	FS 460
														2218 C	11.2/160	2	
														22218 C	11.2/160	2	
														23218 C	10/160	1	
SN 219	95	110	145	112	345	100	290	35	20	53	27	22	13.9	1219	10.5/170	2	FS 460
														2219	10/170	1	
														22219	10/170	1	
SN 220	100	115	160	112	380	110	320	40	24	70	32	26	15.5	1220	18/180	2	FS 460
														2220	12/180	2	
														22220 C	12/180	2	
														23220 C	9.7/180	1	
SN 222	110	125	175	125	410	120	350	45	24	80	32	26	20.0	1222	21/200	2	FS 510
														2222	13.5/200	2	
														22222 C	13.5/200	2	
														23222 C	10/200	1	
SN 224	120	135	185	140	410	120	350	45	24	86	32	26	22.8	22224 C	14/215	2	FS 510
														23224 C	10/215	1	
SN 226	130	145	190	150	445	130	380	50	24	90	35	28	28.9	22226 C	13/230	2	FS 680
														23226 C	10/230	1	
SN 228	140	155	205	150	500	150	420	50	30	98	42	35	36.4	22228 C	15/250	2	FS 680
														23228 C	10/250	1	
SN 230	150	165	220	160	530	160	450	60	30	106	42	35	43.5	22230 C	16.5/270	2	FS 680
														23230 C	10/270	1	
SN 232	160	175	235	170	550	160	470	60	30	114	42	35	50.5	22232 C	17/290	2	FS 680
														23232 C	10/290	1	
SN 234	170	185	235	180	620	170	520	65	30	120	42	35	81.0	22234 C	17/310	2	FS 680
														23234 C	10/310	1	
SN 236	180	195	245	190	650	180	560	65	30	122	42	35	92.0	22236 C	18/320	2	FS 830
														23236 C	10/320	1	
SN 238	190	205	255	200	680	190	580	70	36	130	50	42	100.0	22238 C	19/340	2	FS 830
														23238 C	10/340	1	





**Plummer Blocks (Bearing housings)  
Series SN 300 for bearings with Cylindrical Bore**

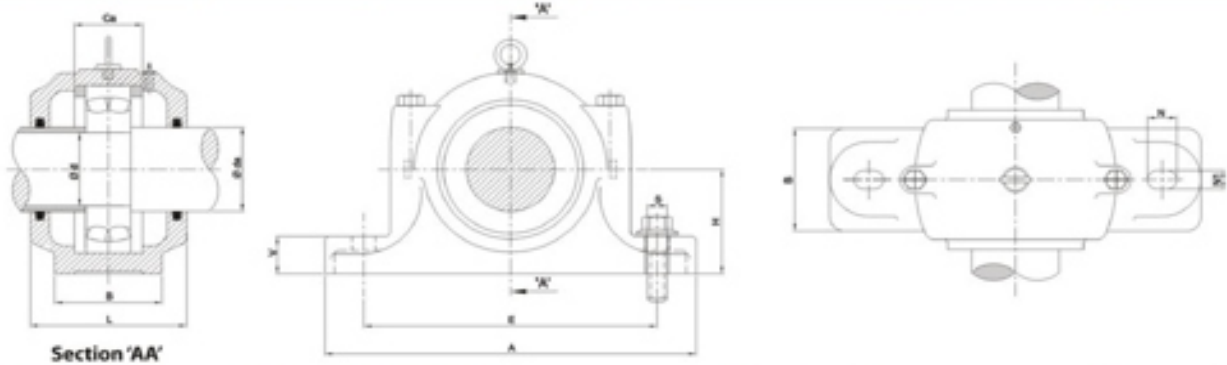


Plummer Block Designation	Shaft dia		DIMENSION IN MM										Approx Weight kg.	Bearing No.	Locating Rings		Felt Strip No.
	d	da	L	H	A	B	E	V	S	Ca	N	N1			Size Width/Dia	Nos. Per Hsg.	
SN 305	25	30	80	50	185	52	150	22	12	34	20	15	1.63	1305	8.5/62	2	FS 190
														2305	10/62	1	
SN 306	30	35	82	50	185	52	150	22	12	37	20	15	1.85	1306	9/72	2	FS 190
														2306	10/72	1	
SN 307	35	45	90	60	205	60	170	25	12	41	20	15	2.65	1307	10/80	2	FS 190
														21307	10/80	2	
														2307	10/80	1	
SN 308	40	50	95	60	205	60	170	25	12	43	20	15	3.00	1308	10/90	2	FS 260
														21308	10/90	2	
														2308	10/90	1	
														22308 C	10/90	1	
SN 309	45	55	105	70	255	70	210	28	16	46	23	18	4.15	1309	10.5/100	2	FS 260
														21309	10.5/100	2	
														2309	10/100	1	
														22309 C	10/100	1	
SN 310	50	60	115	70	255	70	210	30	16	50	23	18	4.8	1310	11.5/110	2	FS 260
														21310	11.5/110	2	
														2310	10/110	1	
														22310 C	10/110	1	
SN 311	55	65	120	80	275	80	230	30	16	53	23	18	5.5	1311	12/120	2	FS 260
														21311	12/120	2	
														2311	10/120	1	
														22311 C	10/120	1	
SN 312	60	70	125	80	280	80	230	30	16	56	23	18	6.6	1312	12.5/130	2	FS 330
														21312	12.5/130	2	
														2312	10/130	1	
														22312 C	10/130	1	
SN 313	65	75	130	95	315	90	260	32	20	58	27	22	8.7	1313	12.5/140	2	FS 330
														21313	12.5/140	2	
														2313	10/140	1	
														22313 C	10/140	1	
SN 314	70	80	130	95	320	90	260	32	20	61	27	22	10.0	1314	13/150	2	FS 330
														21314	13/150	2	
														2314	10/150	1	
														22314 C	10/150	1	



**Plummer Blocks (Bearing housings)  
Series SN 300 for bearings with Cylindrical Straight Bore**

**Plummer Block SN 320 and above only  
are supplied with eye bolt on cap**



Plummer Block Designation	Shaft dia		DIMENSION IN MM										Weight kg.	Bearing No.	Locating Rings	No.	Felt Strip No.
	d	da	L	H	A	B	E	V	S	Ca	N	N1					
SN 315	75	85	140	100	345	100	290	35	20	65	27	22	11.65	1315	14/160	2	FS 330
														21315	14/160	2	
														2315	10/160	1	
														22315 C	10/160	1	
SN 316	80	90	145	112	345	100	290	35	20	68	27	22	12.5	1316	14.5/170	2	FS 370
														21316	14.5/170	2	
														2316	10/170	1	
														22316 C	10/170	1	
SN 317	85	95	155	112	380	110	320	40	24	70	32	26	15	1317	14.5/180	2	FS 370
														21317	14.5/180	2	
														2317	10/180	1	
														22317 C	10/180	1	
SN 318	90	105	160	112	380	110	320	40	24	74	32	26	16.8	1318	15.5/190	2	FS 460
														21318	15.5/190	2	
														2318	10/190	1	
														22318 C	10/190	1	
SN 319	95	110	170	125	410	120	350	45	24	77	32	26	20.5	1319	16/200	2	FS 460
														21319	16/200	2	
														2319	10/200	1	
														22319 C	10/200	1	
SN 320	100	115	175	140	410	120	350	45	24	83	32	26	22.8	1320	18/215	2	FS 460
														21320	18/215	2	
														2320	10/215	1	
														22320 C	10/215	1	
SN 322	110	125	190	150	450	130	390	50	24	90	35	28	28.9	21322	20/240	2	FS 510
														22322 C	10/240	1	
SN 324	120	135	200	160	530	160	450	60	30	96	42	35	35.8	20324	20.5/260	2	FS 510
														22324 C	10/260	1	
SN 326	130	150	210	170	550	160	470	60	30	103	42	35	50.5	20326	22.5/280	2	FS 680
														22326 C	10/280	1	
SN 328	140	160	235	180	620	170	520	65	30	112	42	35	81.0	20328	25/300	2	FS 680
														22328 C	10/300	1	
SN 330	150	170	245	190	650	180	560	65	30	118	42	35	92.0	20330	26.5/320	2	FS 680
														22330 C	10/320	1	
SN 332	160	180	255	200	680	190	580	70	36	124	50	42	100.0	20332	28/340	2	FS 680
														22332 C	10/340	1	



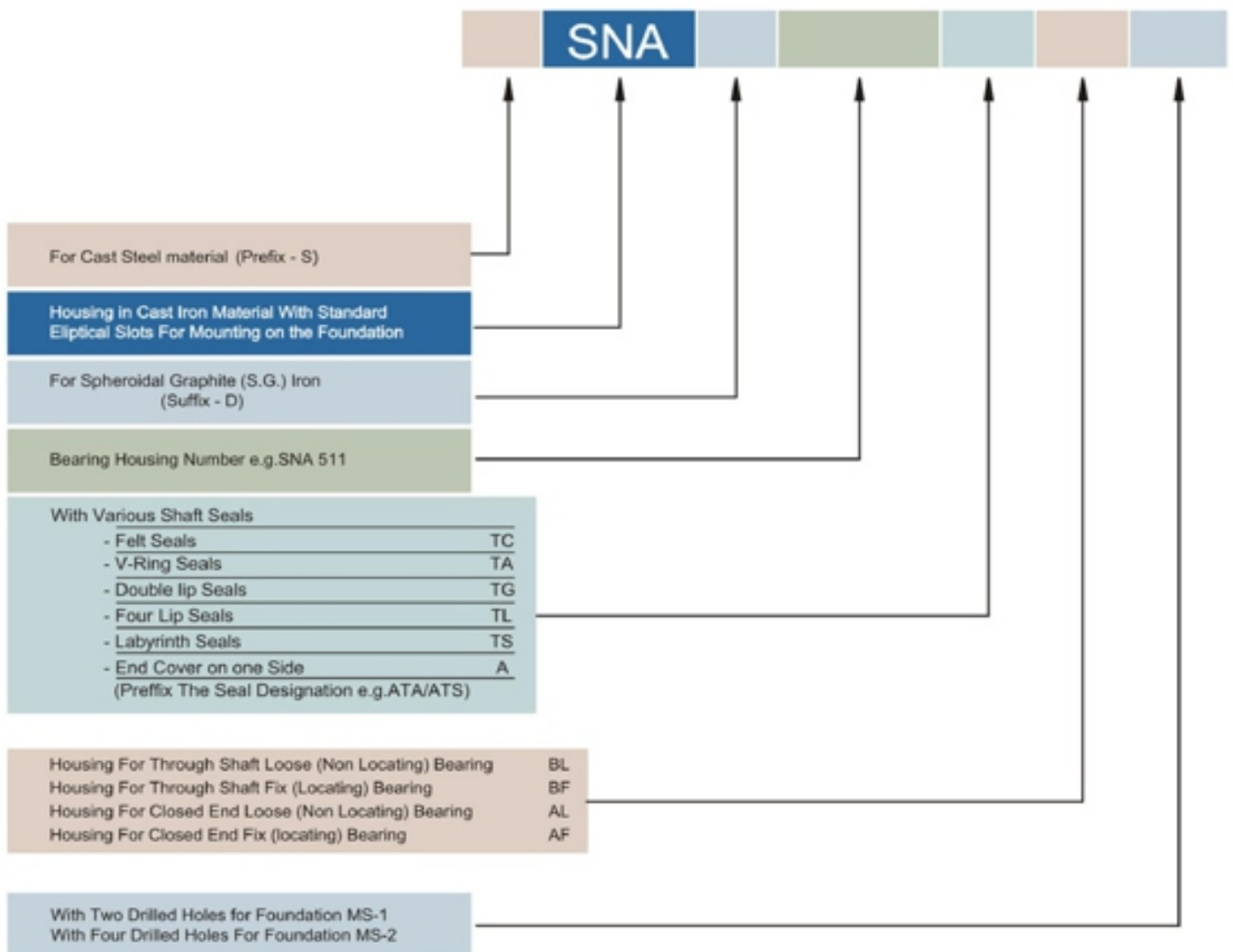
Plummer Block Designation	Shaft dia da	DIMENSION IN MM													Approx Weight kg.	Appropriate Bearing + Adapter Sleeve	Locating Rings Sz. 1No. per pl. block	Optional	
		L	J	H2	H1	H	A	A1	A2	A3	Ca	N	N1	G				Felt Strip	Rubber Oil Seal No.
SN 3024	110	380	320	40	112	215	150	110	100	75	56	36	28	24	20.5	23024CCK+H3024	10/180	FS 460	ZF 24
SN 3026	115	410	350	45	125	239	160	120	110	80	62	36	28	24	24.5	23026CCK+H3026	10/200	FS 460	ZF 26
SN 3028	125	410	350	45	140	260	170	120	110	80	63	36	28	24	30.5	23028CCK+H3028	10/210	FS 510	ZF 28
SN 3030	135	445	380	50	150	286	180	130	115	85	66	36	28	24	40.6	23030CCK+H3030	10/225	FS 510	ZF 30
SN 3032	140	460	390	50	150	297	190	130	115	85	70	36	28	24	41.8	23032CCK+H3032	10/240	FS 680	ZF 32
SN 3034	150	530	450	60	160	318	205	160	145	100	77	48	35	30	55.8	23034CCK+H3034	10/260	FS 680	ZF34
SN 3036	160	550	470	60	170	338	210	160	150	105	84	48	35	30	62.6	23036CCK+H3036	10/280	FS 680	ZF 36
SN 3038	170	550	470	60	170	346	220	160	150	105	85	48	35	30	70.8	23038CCK+H3038	10/290	FS 680	ZF 38
SN 3040	180	610	515	60	180	366	235	170	160	110	92	48	35	30	81.0	23040CCK+H3040	10/310	FS 680	ZF 40
SN 3044	200	690	580	70	200	401	255	190	170	115	100	50	42	36	106.0	23044CCK+H3044	10/340	FS 950	ZF 44
SN 3048	220	720	610	75	210	422	265	200	190	130	102	50	42	36	126	23048CCK+H3048	10/360	FS 950	ZF 48
SN 3052	240	820	680	80	240	472	285	220	200	130	114	70	48	42	161	23052CCK+H3052	10/400	FS 1120	ZF 52
SN 3056	260	860	720	80	250	495	295	230	210	140	116	70	48	42	182	23056CCK+H3056	10/420	FS 1120	ZF 56
SN 3122	100	380	320	40	112	217	150	110			66	36	28	24	20.5	23122K+H3122	10/180	FS 390	ZF 22
SN 3124	110	410	350	45	125	240	165	120			72	36	28	24	24.5	23124K+H3124	10/200	FS 460	ZF 24
SN 3126	115	410	350	45	140	260	170	120			74	36	28	24	30.5	23126K+H3126	10/210	FS 460	ZF26
SN 3128	125	445	380	50	150	286	180	130			78	36	28	24	40.6	23128K+H3128	10/225	FS 510	ZF 28
SN 3130	135	500	420	50	150	295	200	150			90	48	35	30	41.8	23130K+H3130	10/250	FS 510	ZF 30
SN 3132	140	530	450	60	160	318	215	160			96	48	35	30	55.8	23132K+H3132	10/270	FS 680	ZF 32
SN 3134	150	550	470	60	170	330	220	160			98	48	35	30	62.6	23134K+H3134	10/280	FS 680	ZF 34
SN 3136	160	610	520	70	180	355	230	170			106	48	35	30	70.8	23136K+H 3136	10/300	FS 680	ZF 36
SN 3138	170	650	560	70	190	375	240	180			114	48	35	30	81.0	23138K+H3138	10/320	FS 680	ZF 38

SHAFT SEALS - Rubber seals (ZF) or Labyrinth seals are supplied on order.



**"MASTA" SNA Series** horizontally split plummer blocks (bearing housings) are completely interchangeable with earlier SN type plummer block, concerning mainly to its centre height, foundation bolt centers. Same bearing housings can be used for 500 and 600 series bearings having equal bearing outside diameter by changing its shaft seals, e.g. SNA 506 plummer blocks can be used as SNA 605 also where bearing O.D of 1206 K and 1305 K are equal e.g. 52mm. Similarly same plummer blocks can be used for bearing with tapered bore mounted with adapter sleeve or bearing with (straight) cylindrical bore. However such plummer blocks are designated as SNA 500 and SNA 600 for bearings with adapter sleeves and SNA 200 & SNA 300 for bearings with cylindrical bores. Bearing seating width provides axial freedom which can be made axially located by insertion of suitable locating rings.

SNA plummer blocks are supplied with felt seals (designated and suffixed as TC) Rubber V Ring seals (TA) and One Ring and One end cover (ATA). These plummer blocks can also be supplied with Double lip seals (TG) or labyrinth seals (TS) on order.



### SNA 511 TS BF



### S SNA D 515 ATA AL MS-2

