



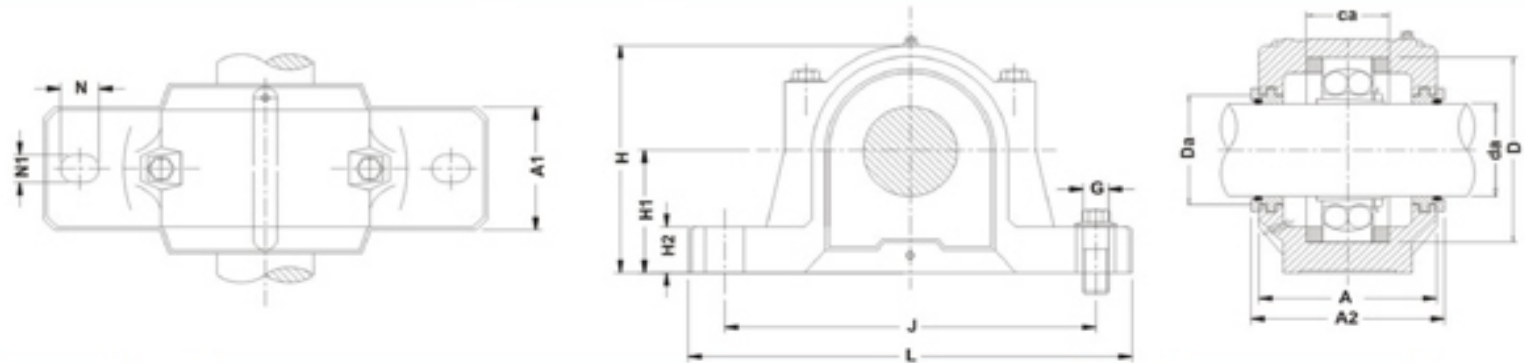
**HOWRAH NEWO TECHNOLOGY**



**SNH SERIES**



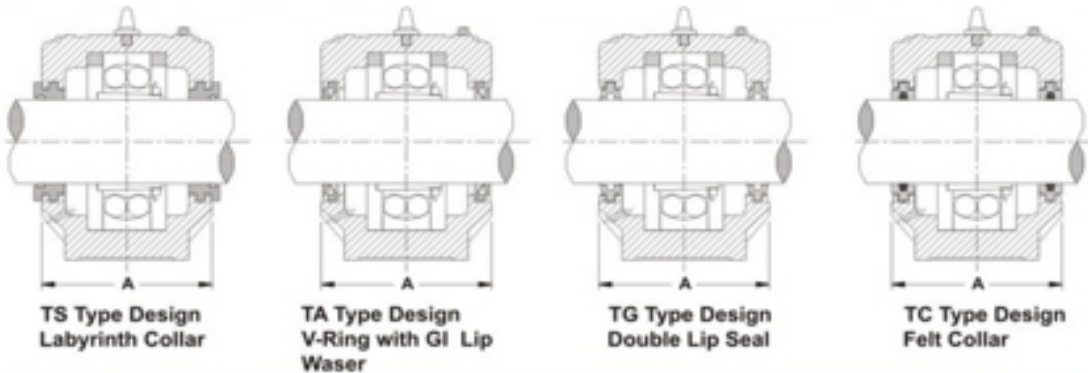
**Plummer Blocks (Bearing housings)**  
**Series SNH 500 / 600 for bearings with adapter sleeves**



Plummer Block Designation	Shaft dia da mm	DIMENSION IN MM													Approx Weight kg.	Bearing with Adapter Sleeve	Locating Ring Size / Two Nos.
		A	A1	A2	Da	H	H1	H2	J	L	Ca	N	N1	G			
SNH 505	20	67	46	80	31.5	74	40	19	130	165	25	20	15	12	1.5	1205 EK + H 205 2205 EK + H 305 22205 EK + H 305	5/52 3.5/52 3.5/52
SNH 506	25	77	52	89	36.5	89	50	22	150	185	32	20	15	12	2.2	1206 EK + H 206 2206 EK + H 306 22206 EK+ H 306	8/62 6/62 6/62
SNH 605	20															1305 EK + H 305 2305 EK + H 2305	7.5/62 4/62
SNH 507	30	82	52	94	46.5	93	50	22	150	185	34	20	15	12	2.4	1207 EK + H 207 2207 EK + H 307 22207 EK+ H 307	8.5/72 5.5/72 5.5/72
SNH 606	25															1306 EK + H 306 2306 EK + H 2306	7.5/72 3.5/72
SNH 508	35	85	60	97	51.5	107	60	25	170	205	39	20	15	12	3.0	1208 EK + H 208 2208 EK + H 308 22208 EK+ H 308	10.5/80 8/80 8/80
SNH 607	30															1307 EK + H 307 2307 EK + H 2307	9/80 4/80
SNH 509	40	85	60	97	56.5	109	60	25	170	205	30	20	15	12	3.0	1209 EK + H 209 2209 EK + H 309 22209 EK+ H 309	5.5/85 3.5/85 3.5/85
SNH 510	45	90	60	102	62	113	60	25	170	205	41	20	15	12	3.3	1210 EK + H 210 2210 EK + H 310 22210 EK+ H 310	10.5/90 9/90 9/90
SNH 608	35															1308 EK + H 308 2308 EK + H 2308 21308 CCK+ H 308 22308 EK+ H 2308	9/90 4/90 9/90 4/90
SNH 511	50	95	70	107	67	127	70	28	210	255	44	24	18	16	4.5	1211 EK + H 211 2211 EK + H 311 22211 EK+ H 311	11.5/100 9.5/100 9.5/100
SNH 609	40															1309 EK + H 309 2309 EK + H 2309 21309 CCK+ H 309 22309 EK+ H 2309	9.5/100 4/100 9.5/100 4/100



**Plummer Blocks (Bearing housings) Series SNH 500 / 600 for bearings with adapter sleeves**



with Locating Ring  
Locating / Fix Type

without Locating Ring  
Floating / Loose Type

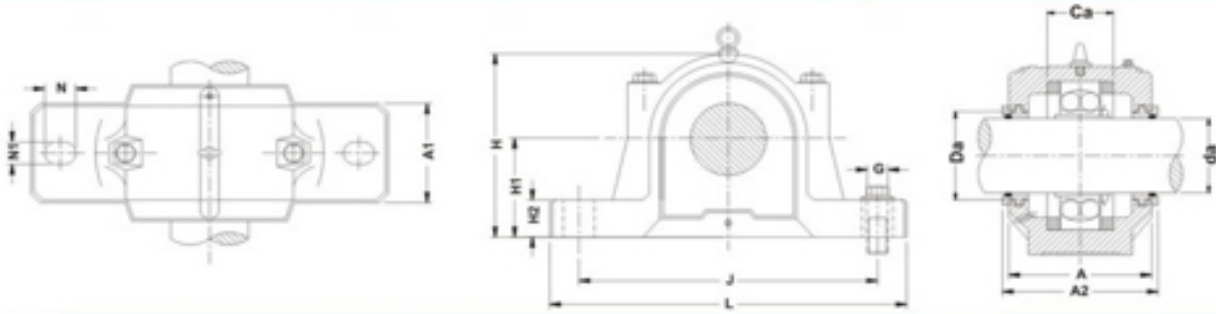
Plummer Block Designation	Shaft dia da mm	DIMENSION IN MM													Approx Weight kg.	Bearing with Adapter Sleeve	Locating Rings	
		A	A1	A2	Da	H	H1	H2	J	L	Ca	N	N1	G				
SNH 512	55	105	70	117	72	133	70	30	210	255	48	24	18	16	5.3	1212 EK + H 212	13/110	
																2212 EK + H 312	10/110	
SNH 610	45															22212 EK+ H 312	10/110	
															6.8	1310 EK + H 310	10.5/110	
																2310 EK + H 2310	4/110	
																21310CCK + H 310	10.5/110	
SNH 513	60	110	80	122	77	148	80	30	230	275	51	24	18	16	6.8	22310 EK + H 2310	4/110	
																22310 EK + H 2310	4/110	
SNH 611	50															1213 EK + H 213	14/120	
															7.2	2213 EK + H 313	10/120	
																22213 EK+ H 313	10/120	
																1311 EK + H 311	11/120	
															7.2	2311 EK + H 2311	4/120	
																21311 CCK + H 311	11/120	
																22311 EK+ H 2311	4/120	
SNH 515	65	115	80	127	87	154	80	30	230	280	56	24	18	16	7.2	1215 EK + H 215	15.5/130	
																2215 EK + H 315	12.5/130	
																22215 EK+ H 315	12.5/130	
SNH 612	55														9.8	1312 EK + H 312	12.5/130	
																2312 EK + H 2312	5/130	
																21312CCK + H 312	12.5/130	
															9.8	22312 EK + H 2312	5/130	
SNH 516	70	120	90	138	92.5	175	95	32	260	315	58	28	22	20		9.8	1216 EK + H 216	16/140
																	2216 EK + H 316	12.5/140
															22216 EK+ H 316		12.5/140	
SNH 613	60														10.5	1313 EK + H 313	12.5/140	
																2313 EK + H 2313	5/140	
																21313CCK+ H 313	12.5/140	
															10.5	22313 EK+ H 2313	5/140	
SNH 517	75	125	90	143	97.5	183	95	32	260	320	61	28	22	20		10.5	1217 EK + H 217	16.5/150
																	2217 EK + H 317	12.5/150
															22217 EK+ H 317		12.5/150	
SNH 518	80	140	100	158	102.5	193	100	35	290	345	65	28	22	20	12.7	1218 EK + H 218	17.5/160	
																2218 EK + H 318	12.5/160	
																22218 EK+ H 318	12.5/160	
															12.7	23218CCK + H 2318	6.25/160	
SNH 615	65															12.7	1315 K + H 315	14/160
																	2315 EK + H 2315	5/160
															21315 CCK + H 315		14/160	
															12.7	22315 EK + H 2315	5/160	





Plummer Blocks (Bearing housings)  
Series SNH 500 / 600 for bearings with adapter sleeves

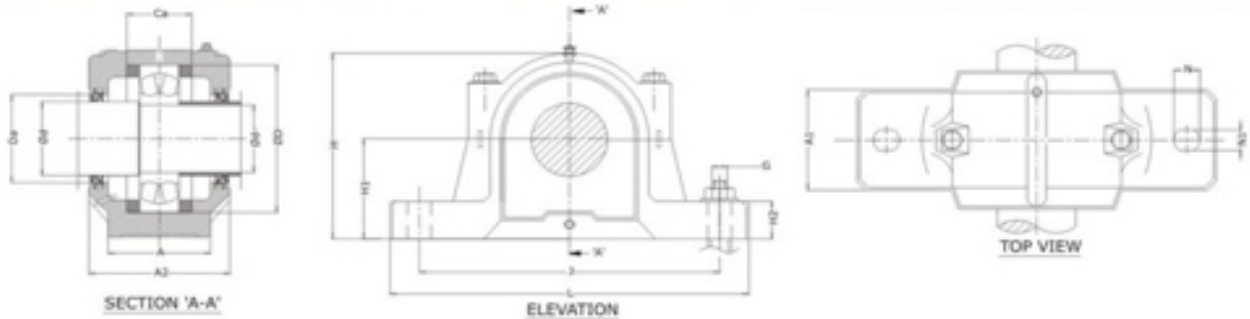
Plummer Block SNH 524 / 620 and above  
are supplied with eye bolt on cap



Plummer Block Designation	Shaft dia da mm	DIMENSION IN MM													Approx Weight kg.	Bearing with Adapter Sleeve	Locating Rings	
		A	A1	A2	Da	H	H1	H2	J	L	Ca	N	N1	G				
SNH 519	85	145	100	163	131	210	112	35	290	345	68	28	22	20	14	1219 K + H 219	18/170	
SNH 616	70															2219 K + H 319	12.5/170	
																22219 EK + H 319	12.5/170	
SNH 520	90	160	110	178	137.5	215	112	40	320	380	70	32	26	24	18.0	1316 K + H 316	14.5/170	
SNH 617	75															2316 K + H 2316	5/170	
																21316 CCK + H 316	14.5/170	
SNH 522	100	175	120	191	147.5	239	125	45	350	410	80	32	26	24	22.5	22316 EK + H 2316	5/170	
SNH 619	85															1220 K + H 220	18/180	
																2220 K + H 320	12/180	
SNH 524	110	185	120	199	157.5	271	140	45	350	410	86	32	26	24	26.5	22220 EK + H 320	12/180	
SNH 620	90															23220 CCK + H 2320	4.85/180	
																1317 K + H 317	14.5/180	
SNH 526	115	190	130	208	167.5	290	150	50	380	445	90	35	28	24	33.5	2317 K + H 2317	5/180	
SNH 528	125	205	150	223	177.5	302	150	50	420	500	98	42	35	30		41	21317 CCK + H 317	14.5/180
SNH 530	135	220	160	241	192.5	323	160	60	450	530	106	42	35	30		50	22317 EK + H 2317	5/180
SNH 532	140	235	160	254	202.5	344	170	60	470	550	114	42	35	30	56.0	1222 K + H 222	21/200	
																2222 K + H 322	13.5/200	
																22222 EK + H 322	13.5/200	
SNH 524	110	185	120	199	157.5	271	140	45	350	410	86	32	26	24	26.5	23222 CCK + H 2322	5.1/200	
SNH 620	90															1319 K + H 319	17.5/200	
																2319 K + H 2319	6.5/200	
SNH 526	115	190	130	208	167.5	290	150	50	380	445	90	35	28	24	33.5	21319 CCK + H 319	17.5/200	
SNH 528	125	205	150	223	177.5	302	150	50	420	500	98	42	35	30		41	22319 EK + H 2319	6.5/200
SNH 530	135	220	160	241	192.5	323	160	60	450	530	106	42	35	30		50	23219 EK + H 2319	6.5/200
SNH 532	140	235	160	254	202.5	344	170	60	470	550	114	42	35	30	56.0	1224 K + H 224	22/215	
																22224 EK + H 3124	14/215	
																23224 CCK + H 2324	5/215	
SNH 526	115	190	130	208	167.5	290	150	50	380	445	90	35	28	24	33.5	1320 EK + H 320	19.5/215	
SNH 528	125	205	150	223	177.5	302	150	50	420	500	98	42	35	30		41	2320 EK + H 2320	6.5/215
SNH 530	135	220	160	241	192.5	323	160	60	450	530	106	42	35	30		50	21320 CCK + H 320	19.5/215
SNH 532	140	235	160	254	202.5	344	170	60	470	550	114	42	35	30	56.0	22320 EK + H 2320	6.5/215	
																22226 EK + H 3126	13/230	
																23226 CCK + H 2326	5/230	
SNH 528	125	205	150	223	177.5	302	150	50	420	500	98	42	35	30	41	23228 CCK + H 2328	5/250	
SNH 530	135	220	160	241	192.5	323	160	60	450	530	106	42	35	30		50	22228 CCK + H 3128	15/250
SNH 532	140	235	160	254	202.5	344	170	60	470	550	114	42	35	30		56.0	23228 CCK + H 2328	5/250
SNH 530	135	220	160	241	192.5	323	160	60	450	530	106	42	35	30	50	22230 CCK + H 3130	16.5/270	
SNH 532	140	235	160	254	202.5	344	170	60	470	550	114	42	35	30		56.0	23230 CCK + H 2330	5/270
																22232 CCK + H 3132	17/290	
SNH 532	140	235	160	254	202.5	344	170	60	470	550	114	42	35	30	56.0	23232 CCK + H 2332	5/290	



**SNH Plummer Block for Straight (Cylindrical) Bore Bearings**

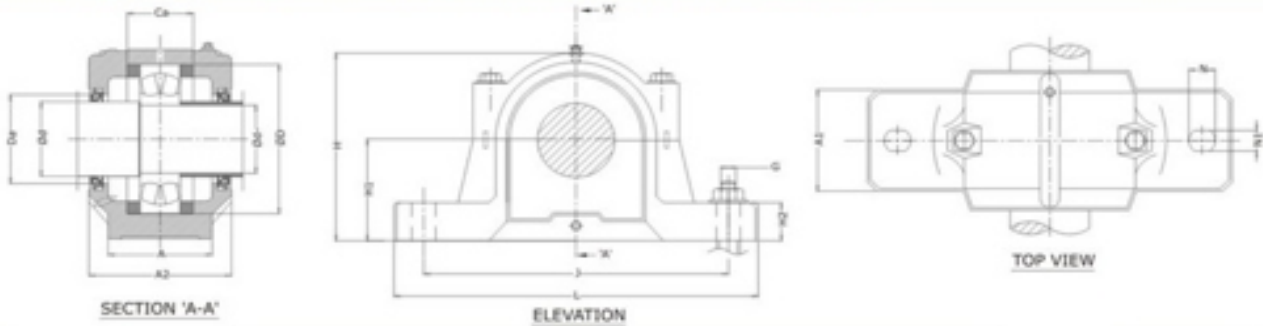


Plummer Block Designation	Shaft dia da		DIMENSION IN MM												Approx Weight kg.	Suitable For Bearing	Locating Ring size / Two Nos. per Housing	
	da	db	A	A1	A2	Da	H	H1	H2	J	L	Ca	N	N1				G
SNH 205	25	30	67	46	80	36.5	74	40	19	130	165	25	20	15	12	1.5	1205 E	5/52
																	2205 E	3.5/52
																	22205 E	3.5/52
SNH 206	30	35	77	52	89	46.5	89	50	22	150	185	32	20	15	12	2.2	1206 E	8/62
																	2206 E	6/62
																	22206 E	6/62
SNH 305	25	30														2.4	1305 E	7.5/62
																	2305 E	4/62
																	21305 CC	7.5/62
SNH 207	35	45	82	52	96	56.5	93	50	22	150	185	34	20	15	12	2.4	1207 E	8.5/72
																	2207 E	5.5/72
																	22207 CC	5.5/72
SNH 306	30	35														3.0	1306 E	7.5/72
																	2306 E	3.5/72
																	21306 CC	7.5/72
SNH 208	40	50	85	60	99	62	107	60	25	170	205	39	20	15	12	3.0	1208 E	10.5/80
																	2208 E	8/80
																	22208 CC	8/80
SNH 307	35	45														3.3	1307 E	9/80
																	2307 E	4/80
																	21307 CC	9/80
SNH 209	45	55	85	60	97	67	109	60	25	170	205	30	20	15	12	3.0	1209 E	5.5/85
																	2209 E	3.5/85
																	22209 CC	3.5/85
SNH 210	50	60	90	60	102	72	113	60	25	170	205	41	20	15	12	3.3	1210 E	10.5/90
																	2210 E	9/90
																	22210 CC	9/90
SNH 308	40	50														4.5	1308 E	9/90
																	2308 E	4/90
																	21308CC	9/90
																	22308 E	4/90
SNH 211	55	65	95	70	107	77	127	70	28	210	255	44	24	18	16	4.5	1211 E	11.5/100
																	2211 E	9.5/100
																	22211 CC	9.5/100
SNH 309	45	55														4.5	1309 E	9.5/100
																	2309 E	4/100
																	21309CC	9.5/100
																	22309 CC	4/100





## SNH Plummer Block Housing for Straight (Cylindrical) Bore Bearings

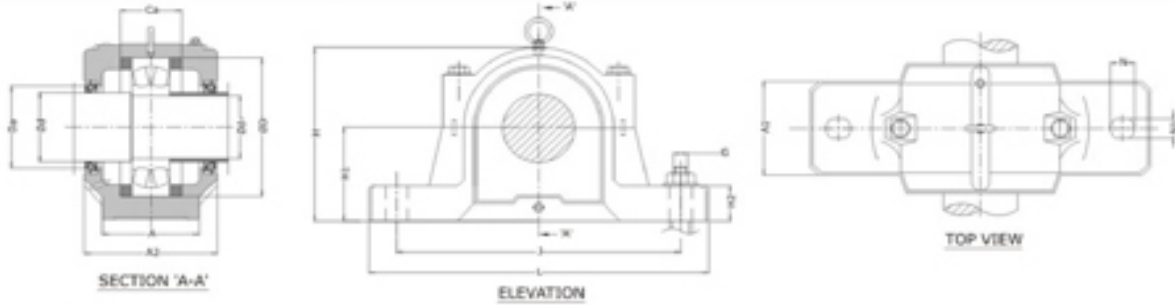


Plummer Block Designation	Shaft dia da		DIMENSION IN MM												Approx Weight kg.	Suitable For Bearing	Locating Ring size / Two Nos. per Housing	
	da	db	A	A1	A2	Da	H	H1	H2	J	L	Ca	N	N1				G
SNH 212	60	70	105	70	117	87	133	70	30	210	255	48	24	18	16	5.3	1212 E	13/110
																	2212 E	10/110
																	22212 E	10/110
SNH 310	50	60														6.8	1310 E	10.5/110
																	2310 E	4/110
																	21310 CC	10.5/110
																	22310 E	4/110
SNH 213	65	75	110	80	122	92.5	148	80	30	230	275	51	24	18	16	7.2	1213 E	14/120
																	2213 E	10/120
																	22213 E	10/120
SNH 311	55	65														9.8	1311 E	11/120
																	2311 E	4/120
																	21311 CC	11/120
																	22311 E	4/120
SNH 215	75	85	115	80	127	102.5	154	80	30	230	280	56	24	18	16	7.2	1215 E	15.5/130
																	2215 E	12.5/130
																	22215 E	12.5/130
SNH 312	60	70														9.8	1312 E	12.5/130
																	2312 E	5/130
																	21312 CC	12.5/130
																	22312 E	5/130
SNH 216	80	90	120	90	138	108	175	95	32	260	315	58	28	22	20	10.5	1216 E	16/140
																	2216 E	12.5/140
																	22216 E	12.5/140
SNH 313	65	75														10.5	1313 E	12.5/140
																	2313 E	5/140
																	21313 CC	12.5/140
																	22313 E	5/140
SNH 217	85	95	125	90	143	112	183	95	32	260	320	61	28	22	20	12.7	1217 E	16.5/150
																	2217 E	12.5/150
																	22217 E	12.5/150
SNH 314	70	80														12.7	1314 E	13/150
																	2314 E	5/150
																	21314 CC	13/150
																	22314 E	5/150
SNH 218	90	100	140	100	158	120	193	100	35	290	345	65	28	22	20	12.7	1218 E	17.5/160
																	2218 E	12.5/160
																	22218 E	12.5/160
SNH 315	75	85														12.7	23218 CC	6.25/160
																	1315 E	14/160
																	2315 E	5/160
																	21315 CC	14/160
																	22315 E	5/160



**SNH Plummer Block Housing for Straight (Cylindrical) Bore Bearings**

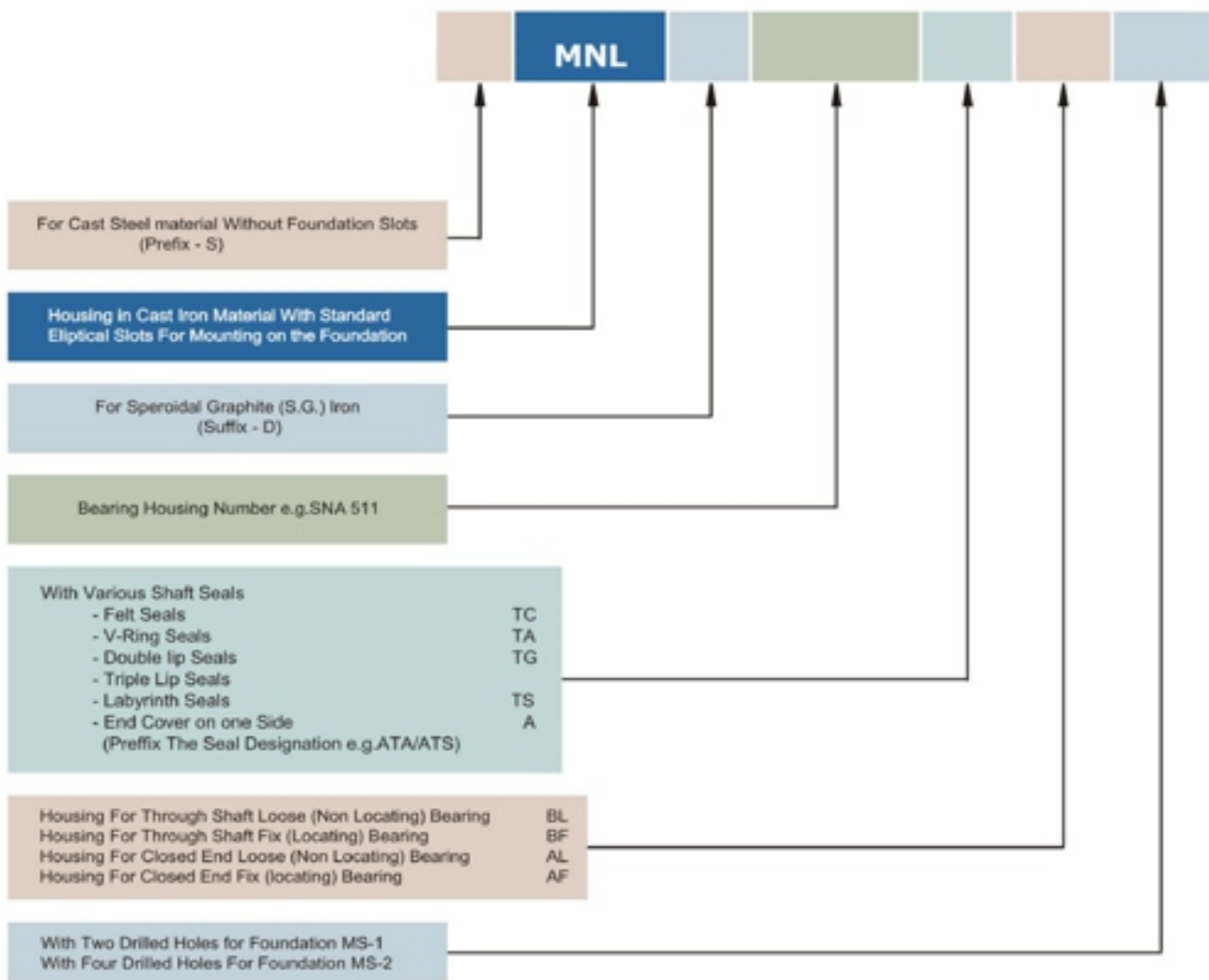
Plummer Block SNH 224 / 320 and above are supplied with eye bolt on Top cap.



Plummer Block Designation	Shaft dia da		DIMENSION IN MM													Approx Weight kg.	Suitable For Bearing	Locating Ring size / Two Nos. per Housing	
	da	db	A	A1	A2	Da	H	H1	H2	J	L	Ca	N	N1	G				
SNH 219	95	110	145	100	163	131	210	112	35	290	345	68	28	22	20	13.9	1219 E	18/170	
SNH 316	80	90	160	110	178	137.5	215	112	40	320	380	70	32	26	24		18.0	2219 E	12.5/170
																		22219 E	12.5/170
SNH 220	100	115														178		131	210
SNH 317	85	95	160	110	178	137.5	215	112	40	320	380	70	32	26	24	18.0	2316 E	5/170	
																	21316CC	14.5/170	
																	22316 E	5/170	
SNH 222	110	125	175	120	191	147.5	239	125	45	350	410	80	32	26	24	22.5	1317 E	14.5/180	
SNH 319	95	110	175	120	191	147.5	239	125	45	350	410	80	32	26	24		22.5	2317 E	5/180
																		21317CC	14.5/180
																		22317 E	5/180
SNH 224	120	135	185	120	199	157.5	271	140	45	350	410	86	32	26	24	26.5	22317 CC	14.5/180	
SNH 320	100	115	175	120	191	147.5	239	125	45	350	410	80	32	26	24		22.5	1222 E	21/200
																		2222 E	13.5/200
SNH 226	130	145	185	120	199	157.5	271	140	45	350	410	86	32	26	24	26.5	2222 E	13.5/200	
																	23222CC	5.1/200	
																	1319 E	17.5/200	
SNH 228	140	155	185	120	199	157.5	271	140	45	350	410	86	32	26	24	26.5	2319 E	6.5/200	
																	21319CC	17.5/200	
																	22319 E	6.5/200	
SNH 230	150	165	185	120	199	157.5	271	140	45	350	410	86	32	26	24	26.5	1224 E	22/215	
																	22224 E	14/215	
																	23224CC	5/215	
SNH 232	160	175	185	120	199	157.5	271	140	45	350	410	86	32	26	24	26.5	1320 E	19.5/215	
																	2320 E	6.5/215	
																	21320CC	19.5/215	
SNH 226	130	145	190	130	208	167.5	290	150	50	380	445	90	35	28	24	33.5	22320 CC	16.5/270	
																	22226 E	13/230	
																	23226CC	5/230	
SNH 228	140	155	205	150	223	177.5	302	150	50	420	500	98	42	35	30	40.8	23220 E	6.5/215	
																	22228CC	15/250	
																	23228CC	5/250	
SNH 230	150	165	220	160	241	192.5	323	160	60	450	530	106	42	35	30	49.8	22230CC	16.5/270	
																	23230CC	5/270	
SNH 232	160	175	235	160	254	202.5	344	170	60	470	550	114	42	35	30	56.0	22232CC	17/290	
																	23232CC	5/290	



MNL Plummer block housings are suitable for self aligning ball bearings, spherical roller bearings and CARB bearings for shaft dia 20 to 160 mm. These housings are split type with 2 elliptical holes in housing base and suitable for grease or oil lubrication. For Grease lubrication variety of seals such as felt seals (TC Type), Labyrinth Seals (TS Type), Double Lip Seals (TG type) or Taconite Seals (ND Type) can be used. For oil lubrication special type of seal (TURU type) can be used. Principal dimensions are identical to SNA/SNH type housings and are interchangeable. MNL housing are available with 4 elliptical slots in the base designated as FMNL or 2 drilled holes in the base with suffix MS1 or 4 drilled holes in the base with suffix MS2. These housings can be used for located bearing by inserting Locating rings on either side of bearing.



### MNL 511 TS BF



### S MNL D 515 ATA BL MS-2

