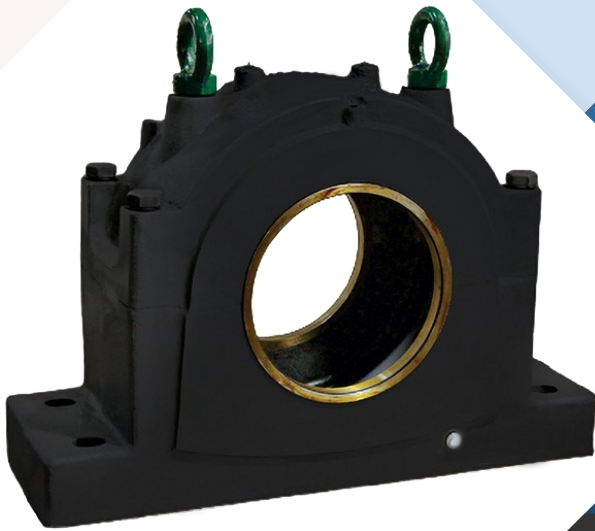




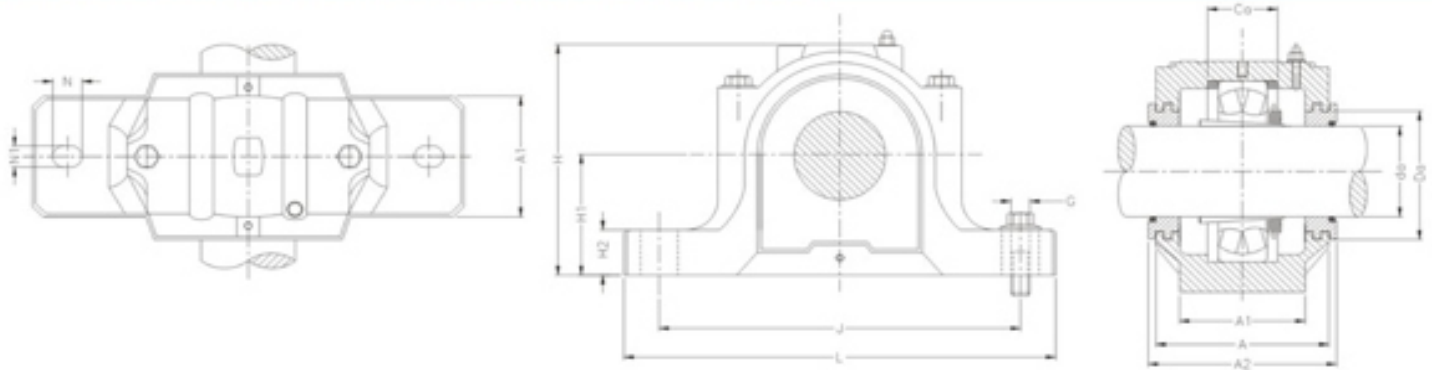
**HOWRAH NEWO TECHNOLOGY**



**SNL 3000/3100  
LARGE SERIES**



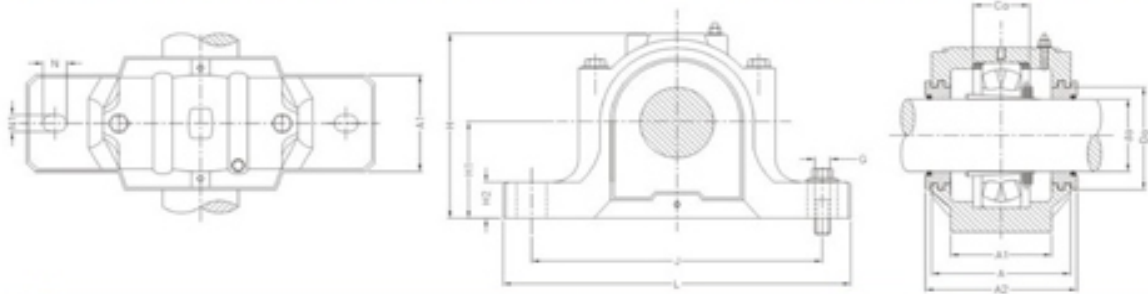
**Plummer Blocks (Bearing housings)**  
**Series MNL 500 / 600 for bearings with adapter sleeves**



Plummer Block Designation	Shaft dia da mm	DIMENSION IN MM													Approx Weight kg.	Bearing with Adapter Sleeve	Locating Ring size / Two Nos. per Housing
		A	A1	A2	Da	H	H1	H2	J	L	Ca	N	N1	G			
MNL 505	20	67	46	80	31.5	74	40	19	130	165	25	20	15	12	1.5	1205 EK + H 205 2205 EK + H 305 22205 CCK + H 305	5/52 3.5/52 3.5/52
MNL 506	25	77	52	89	36.5	89	50	22	150	185	32	20	15	12	2.0	1206 EK + H 206 2206 EK + H 306 22206 EK + H 306	8/62 6/62 6/62
MNL 605	20															1305 EK + H 305 2305 EK + H 2305	7.5/62 4/62
MNL 507	30	82	52	94	46.5	93	50	22	150	185	34	20	15	12	2.2	1207 EK + H 207 2207 EK + H 307 22207 EK + H 307	8.5/72 5.5/72 5.5/72
MNL 606	25															1306 EK + H 306 2306 EK + H 306	7.5/72 3.5/72
MNL 508	35	85	60	97	51.5	107	60	25	170	205	39	20	15	12	3.0	1208 EK + H 208 2208 EK + H 308 22208 EK + H 308	10.5/80 8/80 8/80
MNL 607	30					108										1307 EK + H 307 2307 EK + H 2307	9/80 4/80
MNL 509	40	85	60	97	56.5	109	60	25	170	205	30	20	15	12	3.0	1209 EK + H 209 2209 EK + H 309 22209 CCK + H 309	5.5/85 3.5/85 3.5/85
MNL 510	45	90	60	102	62	113	60	25	170	205	41	20	15	12	3.3	1210 EK + H 210 2210 EK + H 310 22210 CCK + H 310	10.5/90 9/90 9/90
MNL 608	35															1308 EK + H 308 2308 EK + H 2308 21308 CCK + H 308 22308 CCK + H 2308	9/90 4/90 9/90 4/90
MNL 511	50	95	70	107	67	127	70	28	210	255	44	24	18	16	4.5	1211 EK + H 211 2211 EK + H 311 22211 EK + H 311	11.5/100 9.5/100 9.5/100
MNL 609	40					127										1309 EK + H 309 2309 EK + H 2309 21309 CCK + H 309 22309 CCK + H 2309	9.5/100 4/100 9.5/100 4/100



**Plummer Blocks (Bearing housings) Series MNL 500 / 600 for bearings with adapter sleeves**

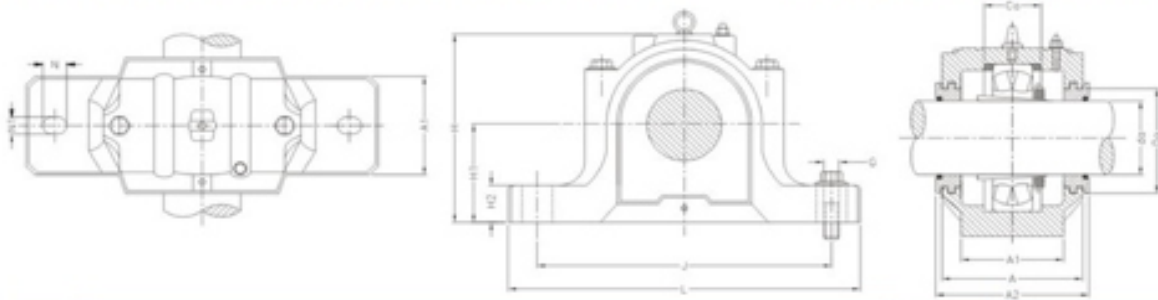


Plummer Block Designation	Shaft dia da mm	DIMENSION IN MM													Approx Weight kg.	Bearing with Adapter Sleeve	Locating Ring size / Two Nos. per Housing
		A	A1	A2	Da	H	H1	H2	J	L	Ca	N	N1	G			
MNL 512	55	105	70	117	72	134	70	30	210	255	48	24	18	16	5.3	1212 EK + H 212	13/110
MNL 610	45					133										2212 EK + H 312	10/110
																22212 EK + H 312	10/110
MNL 513	60	110	80	122	77	149	80	30	230	275	51	24	18	16	6.5	1310 CCK + H 310	10.5/110
MNL 611	50					148										2310 EK + H 2310	4/110
																21310 CCK + H 310	10.5/110
MNL 515	65	115	80	127	87	154	80	30	230	280	56	24	18	16	7.2	22310 CCK + H 2310	4/110
MNL 612	55															1213 EK + H 213	14/120
																2213 EK + H 313	10/120
MNL 516	70	120	90	138	92.5	177	95	32	260	315	58	28	22	20	9.5	22213 CCK + H 313	10/120
MNL 613	60					175										1311 EK + H 311	11/120
																2311 EK + H 2311	4/120
MNL 517	75	125	90	143	97.5	183	95	32	260	320	61	28	22	20	10.2	21311 CCK + H 311	11/120
																22311 EK + H 2311	4/120
																1215 EK + H 215	15.5/130
MNL 518	80	140	100	158	102.5	194	100	35	290	345	65	28	22	20	12.7	2215 EK + H 315	12.5/130
																22215 EK + H 315	12.5/130
																1312 EK + H 312	12.5/130
MNL 615	65					193										2312 EK + H 2312	5/130
																21312 CCK + H 312	12.5/130
																22312 EK + H 2312	5/130
																1216 EK + H 216	16/140
																2216 EK + H 316	12.5/140
																22216 EK + H 316	12.5/140
																1313 EK + H 313	12.5/140
																2313 EK + H 2313	5/140
																21313 CCK + H 313	12.5/140
																22313 EK + H 2313	5/140
																1217 EK + H 217	16.5/150
																2217 EK + H 317	12.5/150
																22217 EK + H 317	12.5/150
																1218 EK + H 218	17.5/160
																2218 EK + H 318	12.5/160
																22218 EK + H 318	12.5/160
																23218 CCK + H 2318	6.25/160
																1315 EK + H 315	14/160
																2315 EK + H 2315	5/160
																21315 CCK + H 315	14/160
																22315 EK + H 2315	5/160



**Plummer Blocks (Bearing housings)  
Series MNL 500 / 600 for bearings with adapter sleeves**

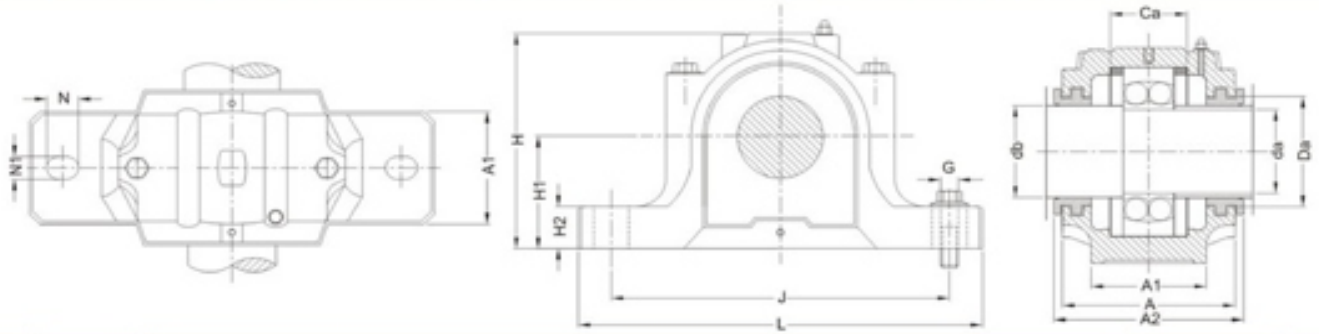
**Plummer Block MNL 524 / 620 and above  
are supplied with eye bolt on cap**



Plummer Block Designation	Shaft dia da mm	DIMENSION IN MM													Approx Weight kg.	Bearing with Adapter Sleeve	Locating Ring	
		A	A1	A2	Da	H	H1	H2	J	L	Ca	N	N1	G				
MNL 519	85	145	100	163	131	212	112	35	290	345	68	28	22	20	13.9	1219 EK + H 219	18/170	
MNL 616	70					210										2219 EK + H 319	12.5/170	
																22219 EK + H 319	12.5/170	
MNL 520	90	160	110	178	137.5	218	112	40	320	380	70	32	26	24	17.6	1316 EK + H 316	14.5/170	
MNL 617	75					215										2316 EK + H 2316	5/170	
																21316 CCK + H 316	14.5/170	
MNL 522	100	175	120	191	147.5	242	125	45	350	410	80	32	26	24	22	22316 EK + H 2316	5/170	
MNL 619	85					239										1220 EK + H 220	18/180	
																2220 EK + H 320	12/180	
MNL 524	110	185	120	199	157.5	271	140	45	350	410	86	32	26	24	26.5	22220 EK + H 320	12/180	
MNL 620	90															23220 CCK + H 2320	4.85/180	
																1317 EK + H 317	14.5/180	
MNL 526	115	190	130	208	167.5	290	150	50	380	445	90	35	28	24	33	2317 EK + H 2317	5/180	
MNL 528	125	205	150	223	177.5	302	150	50	420	500	98	42	35	30		40	21317 CCK + H 317	14.5/180
																	22317 EK + H 2317	5/180
MNL 530	135	220	160	241	192.5	323	160	60	450	530	106	42	35	30	49		21222 EK + H 222	13.5/200
MNL 532	140	235	160	254	202.5	344	170	60	470	550	114	42	35	30		55	22222 EK + H 322	13.5/200
																	23222 CCK + H 2322	5.1/200
															1319 EK + H 319		17.5/200	
															26.5	2319 EK + H 2319	6.5/200	
																21319 CCK + H 319	17.5/200	
																22319 EK + H 2319	6.5/200	
															26.5	1224 EK + H 224	22/215	
																22224 EK + H 3124	14/215	
																23224 CCK + H 2324	5/215	
															19.5/215	1320 EK + H 320	19.5/215	
																2320 EK + H 2320	6.5/215	
																21320 CCK + H 320	19.5/215	
															33	22320 EK + H 2320	6.5/215	
																22226 EK + H 3126	13/230	
																23226 CCK + H 2326	5/230	
															40	23228 CCK + H 2328	5/250	
																22228 CCK + H 3128	15/250	
																23228 CCK + H 2328	5/250	
															49	22230 CCK + H 3130	16.5/270	
																23230 CCK + H 2330	5/270	
																22232 CCK + H 3132	17/290	
															55	23232 CCK + H 2332	5/290	



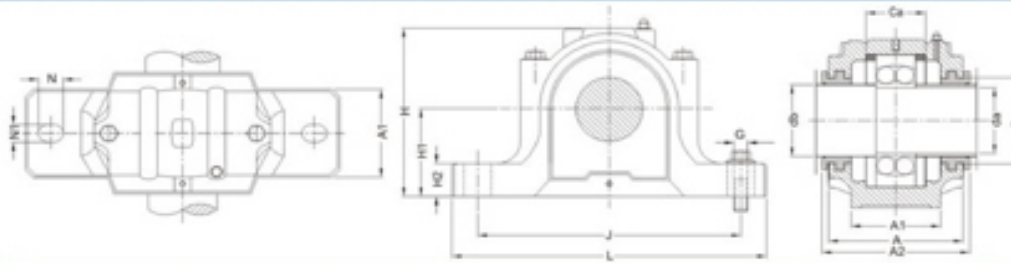
**Series MNL 200 / 300 Plummer Block Housing for Straight (Cylindrical) Bore Bearings**



Plummer Block Designation	Shaft dia		DIMENSION IN MM													Approx Weight kg.	Suitable For Bearing	Locating Ring
	da	db	A	A1	A2	Da	H	H1	H2	J	L	Ca	N	N1	G			
MNL 205	25	30	67	46	80	36.5	74	40	19	130	165	25	20	15	12	1.5	1205 E	5/52
																	2205 E	3.5/52
																	22205 E	3.5/52
MNL 206	30	35	77	52	89	46.5	89	50	22	150	185	32	20	15	12	2.0	1206 E	8/62
																	2206 E	6/62
																	22206 E	6/62
MNL 305	25	30															1305 E	7.5/62
																	2305 E	4/62
																	21305 CC	7.5/62
MNL 207	35	45	82	52	94	56.5	93	50	22	150	185	34	20	15	12	2.2	1207 E	8.5/72
																	2207 E	5.5/72
																	22207 E	5.5/72
MNL 306	30	35															1306 E	7.5/72
																	2306 E	3.5/72
																	21306 CC	7.5/72
MNL 208	40	50	85	60	97	62	108	60	25	170	205	39	20	15	12	3.0	1208 E	10.5/80
																	2208 E	8/80
																	22208 E	8/80
MNL 307	35	45															1307 E	9/80
																	2307 E	4/80
																	21307 CC	9/80
MNL 209	45	55	85	60	97	67	109	60	25	170	205	30	20	15	12	3.0	1209 E	5.5/85
																	2209 E	3.5/85
																	22209 E	3.5/85
MNL 210	50	60	90	60	102	72	113	60	25	170	205	41	20	15	12	3.3	1210 E	10.5/90
																	2210 E	9/90
																	22210 E	9/90
MNL 308	40	50															1308 E	9/90
																	2308 E	4/90
																	21308CC	9/90
																	22308 E	4/90
MNL 211	55	65	95	70	107	77	128	70	28	210	255	44	24	18	16	4.5	1211 E	11.5/100
																	2211 E	9.5/100
																	22211 E	9.5/100
MNL 309	45	55															1309 E	9.5/100
																	2309 E	4/100
																	21309CC	9.5/100
																	22309 E	4/100



**Series MNL 200 / 300 Plummer Block Housing for Straight (Cylindrical) Bore Bearings**

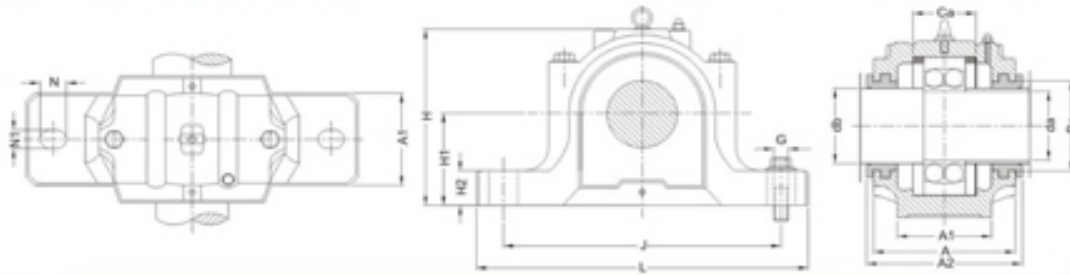


Plummer Block Designation	Shaft dia		DIMENSION IN MM													Approx Weight kg.	Suitable For Bearing	Locating Ring Size / Two
	da	db	A	A1	A2	Da	H	H1	H2	J	L	Ca	N	N1	G			
MNL 212	60	70	105	70	117	87	134	70	30	210	255	48	24	18	16	5.0	1212 E	13/110
																	2212 E	10/110
																	22212 E	10/110
MNL 310	50	60														6.5	1310 E	10.5/110
																	2310 E	4/110
																	21310CC	10.5/110
																	22310 E	4/110
MNL 213	65	75	110	80	122	92.5	149	80	30	230	275	51	24	18	16	7.2	1213 E	14/120
																	2213 E	10/120
																	22213 E	10/120
MNL 311	55	65														9.5	1311 E	11/120
																	2311 E	4/120
																	21311CC	11/120
																	22311 E	4/120
MNL 215	75	85	115	80	127	102.5	155	80	30	230	280	56	24	18	16	10	1215 E	15.5/130
																	2215 E	12.5/130
																	22215 E	12.5/130
MNL 312	60	70														12.7	1312 E	12.5/130
																	2312 E	5/130
																	21312CC	12.5/130
																	22312 E	5/130
MNL 216	80	90	120	90	138	108	177	95	32	260	315	58	28	22	20	10	1216 E	16/140
																	2216 E	12.5/140
																	22216 E	12.5/140
MNL 313	65	75														12.7	1313 E	12.5/140
																	2313 E	5/140
																	21313CC	12.5/140
																	22313 E	5/140
MNL 217	85	95	125	90	143	112	183	95	32	260	320	61	28	22	20	12.7	1217 E	16.5/150
																	2217 E	12.5/150
																	22217 E	12.5/150
MNL 314	70	80														12.7	1314 E	13/150
																	2314 E	5/150
																	21314CC	13/150
																	22314 E	5/150
MNL 218	90	100	140	100	158	120	194	100	35	290	345	65	28	22	20	12.7	1218 E	17.5/160
																	2218 E	12.5/160
																	22218 E	12.5/160
MNL 315	75	85														12.7	23218CC	6.25/160
																	1315 E	14/160
																	2315 E	5/160
																	21315CC	14/160
																	22315 E	5/160



Series MNL 200 / 300 Plummer Block Housing for Straight (Cylindrical) Bore Bearings

MNL 224/320 and above are supplied with an eye bolt on top Cap



Plummer Block Designation	Shaft dia		DIMENSION IN MM													Approx Weight kg.	Suitable For Bearing	Locating Ring Size / Two
	da	db	A	A1	A2	Da	H	H1	H2	J	L	Ca	N	N1	G			
MNL 219	95	110	145	100	163	131	210	112	35	290	345	68	28	22	20	13.9	1219 E	18/170
MNL 316	80	90					212										1316 E	12.5/170
																	22219 E	12.5/170
MNL 220	100	115	160	110	178	137.5	218	112	40	320	380	70	32	26	24	17.6	1220 E	18/180
MNL 317	85	95															2220 E	12/180
																	22220 E	12/180
MNL 222	110	125	175	120	191	147.5	242	125	45	350	410	80	32	26	24	22	23220CC	4.85/180
MNL 319	95	110															1319 E	14.5/180
																	2319 E	5/180
MNL 224	120	135	185	120	199	157.5	271	140	45	350	410	86	32	26	24	26.5	21317CC	14.5/180
MNL 320	100	115															22317 E	5/180
																	23224CC	5/215
MNL 226	130	145	190	130	208	167.5	290	150	50	380	445	90	35	28	24	33	1320 E	17.5/200
																	2319 E	6.5/200
																	21319CC	17.5/200
MNL 228	140	155	205	150	223	177.5	302	150	50	420	500	98	42	35	30	40	22319 E	6.5/200
																	23224CC	5/215
																	1320 E	19.5/215
MNL 230	150	165	220	160	241	192.5	323	160	60	450	530	106	42	35	30	49	2320 E	6.5/215
																	21320CC	19.5/215
																	22320 E	6.5/215
MNL 232	160	175	235	160	254	202.5	344	170	60	470	550	114	42	35	30	55	1226 E	22/230
																	22226 E	13/230
																	23226CC	5/230
																49	22228CC	15/250
																	23228CC	5/250
																	22230CC	16.5/270
																55	23230CC	5/270
																	22232CC	17/290
																	23232CC	5/290



# Illustration for Large Size MNL 3000 & 3100 Series

MNL Plummer block housings are suitable for self aligning, spherical roller bearings and CARB bearings for shaft dia 150 to 340 mm. These housings are split type with 4 elliptical holes in housing base and suitable for grease or oil lubrication. For Grease lubrication variety of seals such as felt seals (TC Type), Labyrinth Seals (TS Type), Double Lip Seals (TG type) or Taconite Seals (ND Type) can be used. For oil lubrication special type of seal (TURU type) can be used. Principal dimensions are identical to SNA/SNH type housings and are interchangeable. MNL housing are available with 4 elliptical slots in the base designated as FMNL or 2 drilled holes in the base with suffix MS1 or 4 drilled holes in the base with suffix MS2. These housings can be used for located bearing by inserting Locating rings on either side of bearing.

