



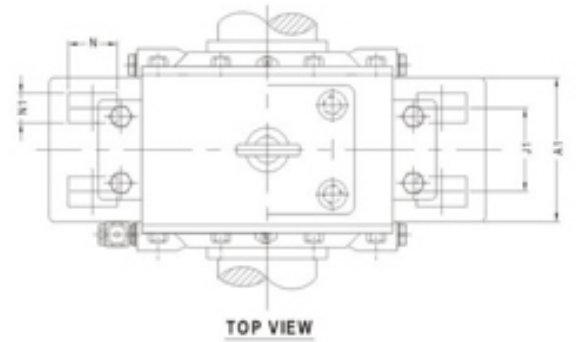
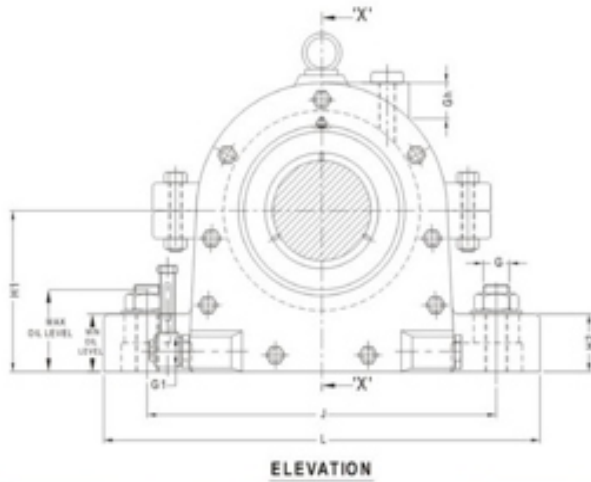
HOWRAH NEWO TECHNOLOGY



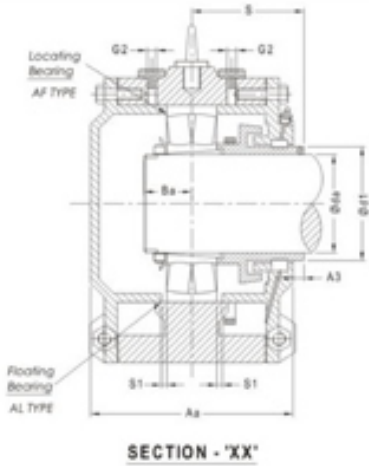
SOFN SERIES



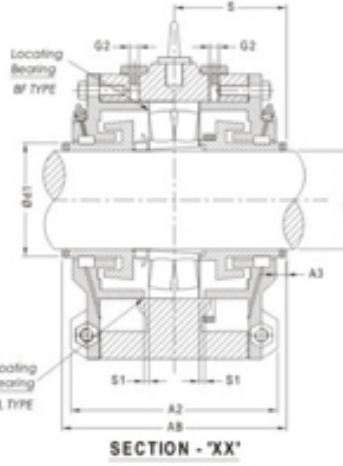
Masta Brand SOFN Series for Spherical Roller Bearing with Adapter Sleeve (For Direct Mounting)



Bearing Housing Designation	Shaft Di. d	AA	AB	A1	A2	A3	G	GH	H	H1	H2
SOFN 522	100	216	229	145	216	13	M24	27	290	160	50
SOFN 622		270	290	190	265	20	M30	33	355	190	65
SOFN 524	110	258	276	170	245	18	M24	27	315	170	55
SOFN 624		285	306	190	265	20.5	M30	44	375	200	65
SOFN 526	115	255	270	180	260	15	M24	32	335	180	60
SOFN 626		300	320	205	285	20	M30	38	405	215	65
SOFN 528	125	265	280	190	265	15	M30	33	355	190	65
SOFN 628		320	340	220	300	20	M30	42	425	230	80
SOFN 530	135	265	280	190	265	15	M30	44	375	200	65
SOFN 630		335	350	240	320	15	M30	44	455	245	75
SOFN 532	140	298	316	205	280	18	M30	38	405	215	65
SOFN 632		350	370	250	335	20	M36	50	480	260	85
SOFN 534	150	330	350	230	310	20	M30	46	440	235	70
SOFN 634		358	378	260	350	20	M36	44	510	275	85
SOFN 536	160	340	360	240	320	20	M30	44	455	245	75
SOFN 636		384.5	404	280	370	19.5	M36	48	565	305	95
SOFN 538	170	350	370	250	335	20	M36	50	480	260	85
SOFN 540	180	358	378	260	350	20	M36	44	510	275	85
SOFN 544	200	384.5	404	280	370	19.5	M36	48	565	305	95
SOFN 548	220	400	420	290	380	20	M36	56	625	340	100



SECTION - 'XX'



SECTION - 'XX'

Floating Type

AL = CLOSED END, LOOSE BEARING
BL = THROUGH SHAFT, LOOSE BEARING

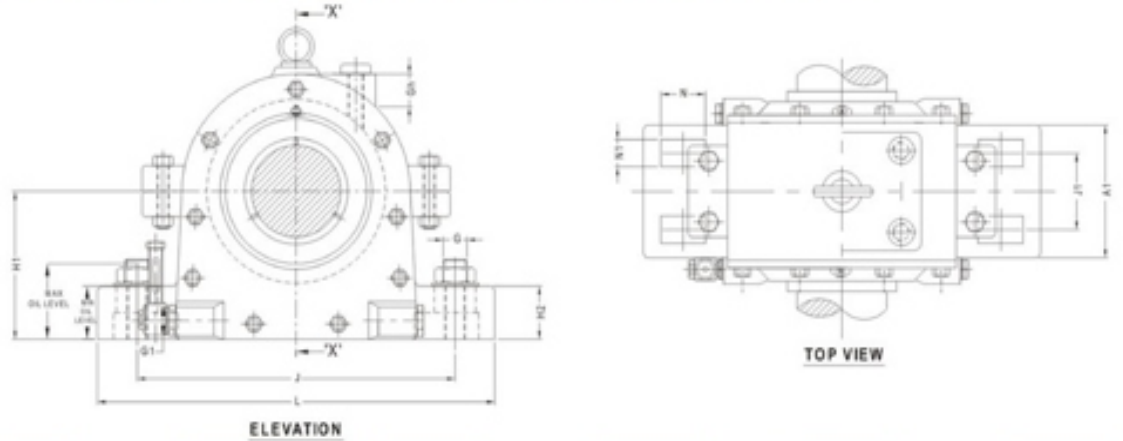
Locating Type

AL = CLOSED END, FIXED BEARING
BL = THROUGH SHAFT, FIXED BEARING

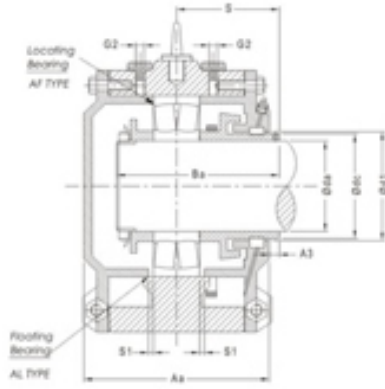
J	J1	L	N	N1	S	d1	s1	G1	G2	Bearing Adapter sleeve	
347	75	420	45	28	114.5	120	5	R1/2	R1/2	22222CCK	H322
415	100	500	45	35	145	130	8	R1/2	R3/4	22322CCK	H2322
347	90	420	45	28	138	135	8	R1/2	R1/2	22224CCK	H3124
450	115	540	50	35	153	140	8	R1/2	R3/4	22324CCK	H2324
377	100	450	45	28	135	145	8	R1/2	R1/2	22226CCK	H3126
470	120	560	50	35	160	150	8	R1/2	R3/4	22326CCK	H2326
415	100	500	45	35	140	160	8	R1/2	R3/4	22228CCK	H3128
510	120	630	60	35	170	165	8	R1/2	R3/4	22328CCK	H2328
450	115	540	50	35	140	170	8	R1/2	R3/4	22230CCK	H3130
545	150	650	65	35	175	175	10	R1/2	R3/4	22330CCK	H2330
470	120	560	50	35	158	178	10	R1/2	R3/4	22232CCK	H3132
590	150	720	70	42	185	190	10	R1/2	R3/4	22332CCK	H2332
515	130	610	55	35	175	195	10	R1/2	R3/4	22234CCK	H3134
600	160	730	70	42	189	197	12	R1/2	R3/4	22334CCK	H2334
545	150	650	65	35	180	205	10	R1/2	R3/4	22236CCK	H3136
670	180	820	80	42	202	210	12	R1/2	R3/4	22336CCK	H2336
590	150	720	70	42	185	220	12	R1/2	R3/4	22238CCK	H3138
600	160	730	70	42	189	227	12	R1/2	R3/4	22340CCK	H2338
670	180	820	80	42	202	255	12	R1/2	R3/4	22244CCK	H3144
740	190	900	80	42	210	270	12	R1/2	R3/4	22248CCK	H3148



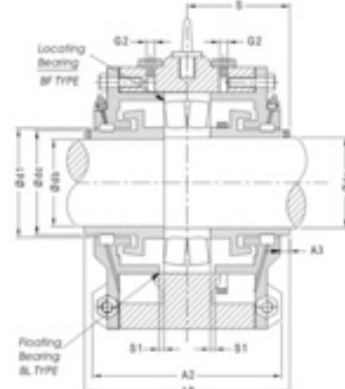
SOFN Series for Spherical Roller Bearing with Cylindrical Bore (For Direct Mounting)



Bearing Housing Designation	Shaft Diameter		dc min	AA	AB	A1	A2	A3	G	Gh	H	H1	H2
	da	db											
SOFN 310	50	49	56	142.5	150	92	145	7.5	M16	27	168	95	30
SOFN 311	55	53	61	147.5	155	95	148	7.5	M16	27	180	100	30
SOFN 212	60	58	66	142.5	150	92	145	7.5	M16	27	168	95	30
SOFN 312	60	58	66	162.5	170	100	152	7.5	M16	27	198	110	30
SOFN 213	65	63	71	147.5	155	95	148	7.5	M16	27	180	100	30
SOFN 313	65	63	71	172.5	180	110	182	7.5	M20	27	230	125	35
SOFN 214	70	68	76	162.5	170	100	152	7.5	M16	27	198	110	30
SOFN 314	70	68	76	172.5	180	110	182	7.5	M20	27	230	125	35
SOFN 215	75	73	81	172.5	170	100	152	7.5	M16	27	198	110	30
SOFN 315	75	73	81	180	190	120	190	10	M20	27	245	135	45
SOFN 216	80	78	86	172.5	180	110	182	7.5	M20	27	230	125	35
SOFN 316	80	78	86	199	214	135	210	15	M20	27	255	140	40
SOFN 217	85	83	91	172.5	180	110	182	7.5	M20	27	230	125	35
SOFN 317	85	83	91	206	206	130	205	10	M24	27	270	145	50
SOFN 218	90	88	96	180	190	120	190	10	M20	27	245	135	45
SOFN 318	90	88	96	225	240	165	246	15	M24	32	280	155	50
SOFN 219	95	93	101	192	200	135	210	8	M20	27	255	140	40
SOFN 319	95	93	101	240	224	145	216	13	M24	27	290	160	50
SOFN 220	100	98	106	196	206	130	205	10	M24	27	270	145	50
SOFN 320	100	98	108	255	270	170	245	15	M24	27	315	170	55



SECTION - 'XX'



SECTION - 'XX'

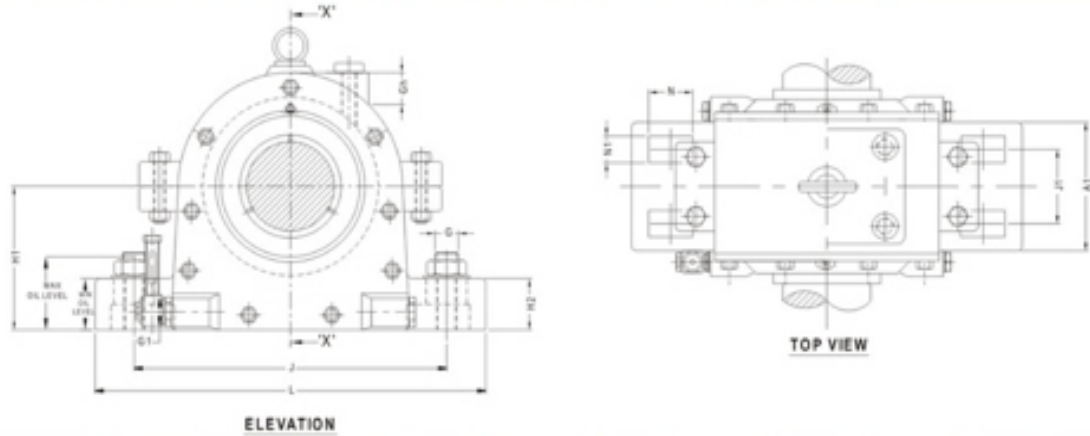
AL = CLOSED END, LOOSE BEARING
BL = THROUGH SHAFT, LOOSE BEARING

AF = CLOSED END, FIXED BEARING
BF = THROUGH SHAFT, FIXED BEARING

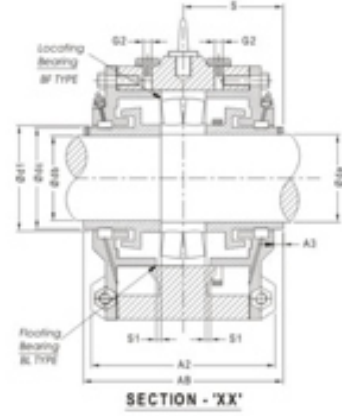
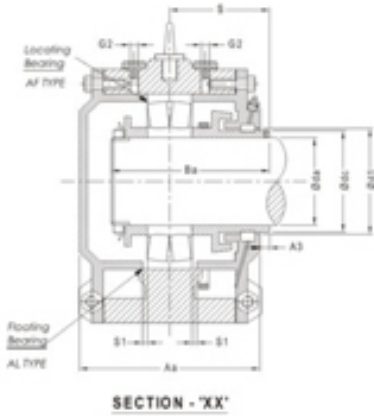
J	J ₁	L	N	N ₁	S	d ₁	S ₁	G ₁	G ₂	B _a	B _b	Suitable for Bearing
210	50	270	30	19	75	58	3	R1/4	R3/8	128	92	22310 CC
233	50	290	33	19	77.5	65	3	R1/4	R3/8	134	96	22311 CC
210	50	270	30	19	75	70	3	R1/4	R3/8	128	86	22212 CC
230	55	290	34	19	85	70	5	R1/4	R3/8	147	105	22312 CC
233	50	290	34	19	77.5	75	3	R1/4	R3/8	134	90	22213 CC
260	60	330	40	24	90	75	3	R1/4	R3/8	153	110.5	22313 CC
230	55	290	34	19	85	80	5	R1/4	R3/8	136	98	22214 CC
260	60	330	40	24	90	80	5	R1/2	R3/8	156	112	22314 CC
230	55	290	34	19	85	85	5	R1/4	R3/8	145	98	22215 CC
290	70	360	40	24	95	85	5	R1/2	R3/8	161	119.5	22315 CC
260	60	330	40	24	90	95	5	R1/2	R3/8	149	103	22216 CC
290	80	360	40	24	107	95	5	R1/2	R3/8	181	133	22316 CC
260	60	330	40	24	90	96	5	R1/2	R3/8	150	105	22217 CC
320	75	400	45	28	103	96	5	R1/2	R1/2	188	130	22317 CC
290	70	360	40	24	95	100	5	R1/2	R3/8	161	112	22218 CC
317	95	400	45	28	120	104	5	R1/2	R1/2	198	148	22318 CC
290	80	360	40	24	100	105	5	R1/2	R3/8	171	118	22219 CC
347	75	420	45	28	114.5	105	5	R1/2	R1/2	211	145	22319 CC
320	75	400	45	28	103	110	5	R1/2	R1/2	177	123	22220 CC
347	90	420	45	28	135	115	8	R1/2	R1/2	226	168	22320 CC



SOFN Series for Spherical Roller Bearing with Cylindrical Bore (For Direct Mounting)



Bearing Housing Designation	Shaft Diameter		dc min	AA	AB	A1	A2	A3	G	Gh	H	H1	H2	J
	da	db												
SOFN 222	110	108	116	216	229	145	216	13	M24	27	290	160	50	347
SOFN 322	110	108	118	270	290	190	265	20	M30	33	355	190	65	415
SOFN 224	120	118	126	258	276	170	245	18	M24	27	315	170	55	347
SOFN 324	120	118	128	285.5	306	190	265	20.5	M30	44	375	200	65	450
SOFN 226	130	128	138	255	270	180	260	15	M24	32	335	180	60	377
SOFN 326	130	128	140	300	320	205	285	20	M30	38	405	215	65	470
SOFN 228	140	138	148	265	280	190	265	15	M30	33	355	190	65	415
SOFN 328	140	138	150	320	340	220	300	20	M30	42	425	230	80	510
SOFN 230	150	148	158	265	280	190	265	15	M30	44	375	200	65	450
SOFN 330	150	148	168	335	350	240	320	15	M30	44	455	245	75	545
SOFN 232	160	158	168	298	316	205	280	18	M30	38	405	215	65	470
SOFN 332	160	158	178	350	370	250	335	20	M36	50	480	260	85	590
SOFN 234	170	168	180	330	350	230	310	20	M30	46	440	235	70	515
SOFN 334	170	168	188	358	378	260	350	20	M36	44	510	275	85	600
SOFN 236	180	177	196	340	360	240	320	20	M30	44	455	245	75	545
SOFN 336	180	178	198	384.5	404	280	370	19.5	M36	48	565	305	95	670
SOFN 238	190	188	208	350	370	250	335	20	M36	50	480	260	85	590
SOFN 240	200	198	218	358	378	260	350	20	M36	44	510	275	85	600
SOFN 244	220	218	238	384.5	404	280	370	19.5	M36	48	565	305	95	670
SOFN248	240	238	258	400	420	290	380	20	M36	56	625	340	100	740



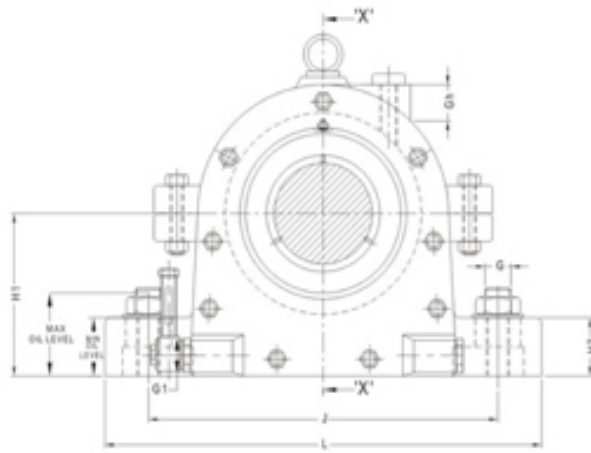
AL = CLOSED END, LOOSE BEARING
BL = THROUGH SHAFT, LOOSE BEARING

AF = CLOSED END, FIXED BEARING
BF = THROUGH SHAFT, FIXED BEARING

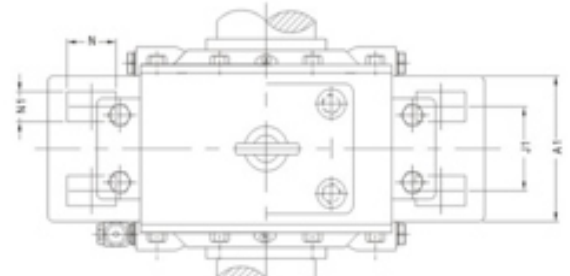
J ₁	L	N	N ₁	S	d ₁	S ₁	G ₁	G ₂	Ba	Bb	Suitable for Bearing	Oil Level	
												Max.	Min.
75	420	45	28	114.5	120	5	R1/2	R1/2	192	138	22222 CC	77	50
100	500	45	35	145	130	8	R1/2	R3/4	243	180	22322 CC	95	67
90	420	45	28	138	135	8	R1/2	R1/2	225	164	22224 CC	80	60
115	540	50	35	153	140	8	R1/2	R3/4	254	192	22324 CC	100	65
100	450	45	28	135	145	8	R1/2	R1/2	226	164	22226 CC	85	60
120	560	50	35	160	150	8	R1/2	R3/4	265	202	22326 CC	105	70
100	500	45	35	140	160	8	R1/2	R3/4	234	170	22228 CC	85	60
120	630	60	35	170	165	8	R1/2	R3/4	287	215	22328 CC	115	70
115	540	50	35	140	170	8	R1/2	R3/4	239	173	22230 CC	90	60
150	650	65	35	175	175	10	R1/2	R3/4	292	225	22330 CC	120	75
120	560	50	35	158	178	10	R1/2	R3/4	266	193	22232 CC	95	65
150	720	70	42	185	190	10	R1/2	R3/4	315	240	22332 CC	125	80
130	610	55	35	175	195	10	R1/2	R3/4	290	213	22234 CC	105	75
160	730	70	42	189	197	12	R1/2	R3/4	321	244	22334 CC	130	85
150	650	65	35	180	205	10	R1/2	R3/4	296	218	22236 CC	115	80
180	820	80	42	202	210	12	R1/2	R3/4	342	260	22336 CC	155	90
150	720	70	42	185	220	12	R1/2	R3/4	317	226	22238 CC	120	85
160	730	70	42	189	227	12	R1/2	R3/4	315	233	22240 CC	125	85
180	820	80	42	202	255	12	R1/2	R3/4	342	251	22244 CC	140	95
190	900	80	42	210	270	12	R1/2	R3/4	360	266	22248 CC	155	110



Masta Brand SOFN Series for Spherical Roller Bearing with Adapter Sleeve (For Direct Mounting)

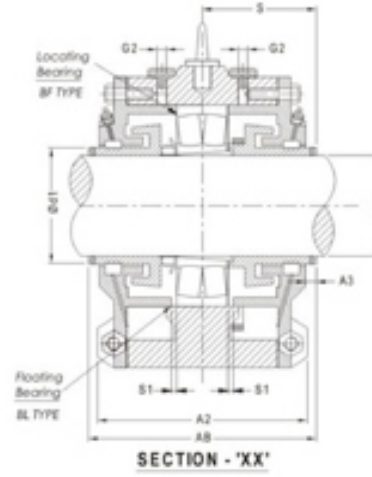
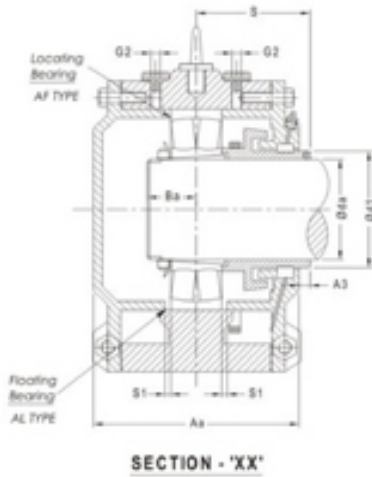


ELEVATION



TOP VIEW

Bearing Housing Designation	Shaft Di. d	AA	AB	A1	A2	A3	G	Gh	H	H1	H2
SOFN 610	45	142.5	150	92	145	7.5	M16	27	168	95	30
SOFN 611	50	147.5	155	95	148	7.5	M16	27	180	100	30
SOFN 512	55	162.5	150	92	145	7.5	M16	27	168	95	30
SOFN 612			170	100	152	7.5	M16	27	198	110	30
SOFN 513	60	199	155	95	148	7.5	M16	27	180	100	30
SOFN 613			180	110	182	7.5	M20	27	230	125	35
SOFN 515	65	172.5	170	100	152	7.5	M16	27	198	110	35
SOFN 615			190	120	190	10	M20	27	245	135	45
SOFN 516	70	180	180	110	182	7.5	M20	27	230	125	35
SOFN 616			214	135	210	15	M20	27	255	140	40
SOFN 517	75	225	180	110	182	7.5	M20	27	230	125	35
SOFN 617			206	130	205	10	M24	27	270	145	50
SOFN 518	80	192	190	120	190	10	M20	27	245	135	45
SOFN 618			240	165	246	15	M24	32	280	155	50
SOFN 519	85	196	200	135	210	8	M20	27	255	140	45
SOFN 619			229	145	216	13	M24	27	290	160	50
SOFN 520	90	255	206	130	205	10	M24	27	270	145	50
SOFN 620			270	170	245	15	M24	27	315	170	55



AL = CLOSED END, LOOSE BEARING
BL = THROUGH SHAFT, LOOSE BEARING

AL = CLOSED END, FIXED BEARING
BL = THROUGH SHAFT, FIXED BEARING

J	J1	L	N	N1	S	d1	S1	G1	G2	Bearing Adapter sleeve	
210	50	270	30	19	75	58	3	R1/4	R3/8	22310CCK	H2310
233	50	290	33	19	77.5	65	3	R1/4	R3/8	22311CCK	H2311
210	50	270	30	19	75	70	3	R1/4	R3/8	22212CCK	H312
230	55	290	34	19	85	70	5	R1/4	R3/8	22312CCK	H2312
233	50	290	34	19	77.5	75	5	R1/4	R3/8	22213CCK	H313
260	60	330	40	24	90	75	3	R1/2	R3/8	22313CCK	H2313
230	55	290	34	19	85	85	5	R1/2	R3/8	22215CCK	H 315
290	70	360	40	24	95	85	5	R1/2	R3/8	22315CCK	H2315
260	60	330	40	24	90	95	5	R1/2	R3/8	22216CCK	H316
290	80	360	40	24	107	95	5	R1/2	R3/8	22316CCK	H2316
260	60	330	40	24	90	96	5	R1/2	R3/8	22217CCK	H317
320	75	400	45	28	103	96	5	R1/2	R1/2	22317CCK	H2317
290	70	360	40	24	95	100	5	R1/2	R3/8	22218CCK	H318
317	95	400	45	28	120	104	5	R1/2	R1/2	22318CCK	H2318
290	80	360	40	24	100	105	5	R1/2	R3/8	22219CCK	H 319
347	75	420	45	28	114.5	105	5	R1/2	R1/2	22319CCK	H2319
320	75	400	45	28	103	110	5	R1/2	R1/2	22220CCK	H320
347	90	420	45	28	135	115	8	R1/2	R1/2	22320CCK	H2320



Cast Iron Housing



Cast Steel S
S.G.Iron D

Size Designation
 For, Bearing With Adapter Sleeves
 Series-22200CCK + H -500
 Series-22300CCK + H -600
 For, Bearing With Straight Bore
 Series-22200CC -200
 Series-22300CC -300

For, Through Shaft -B
 For, End Shaft With End Cover -A

Housing For Fix Type (Located) Bearing -F
 Housing For Loose Type (Non-Located/Floating) Bearing -L

MONL 220 BL



MONLS 522 AF

